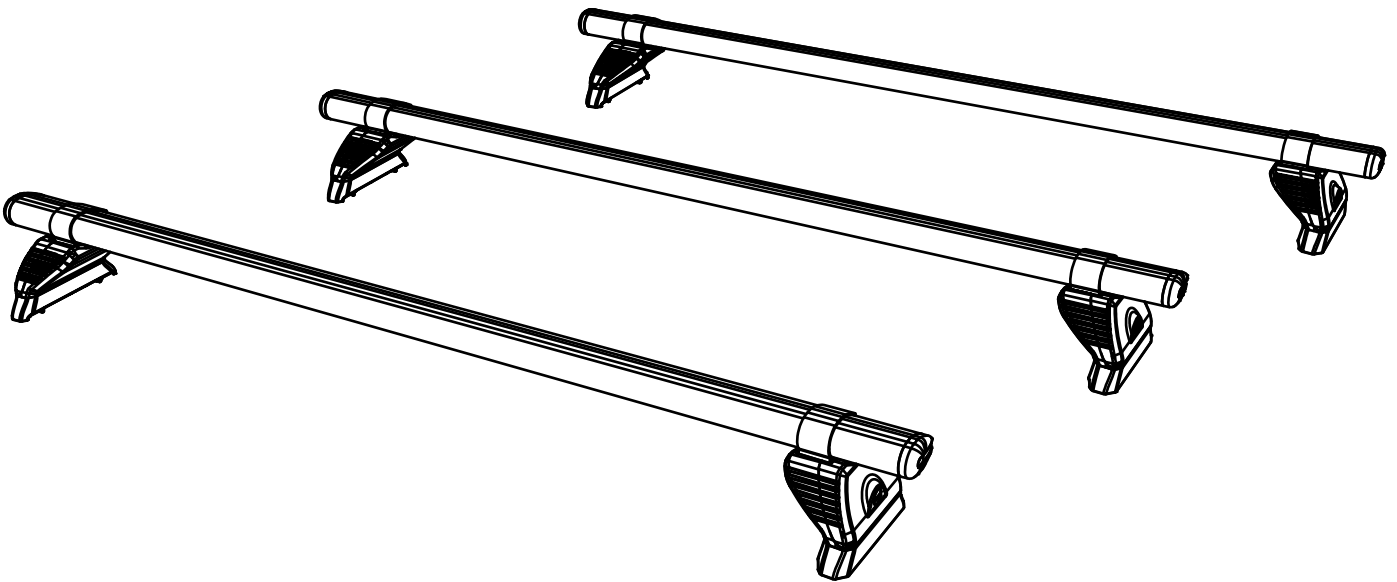


XC3PR/FL

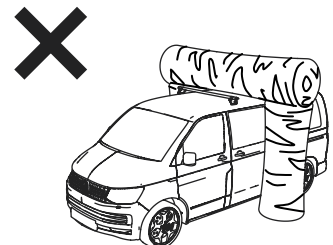
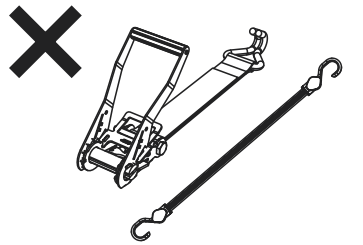
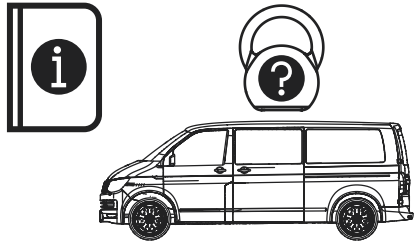
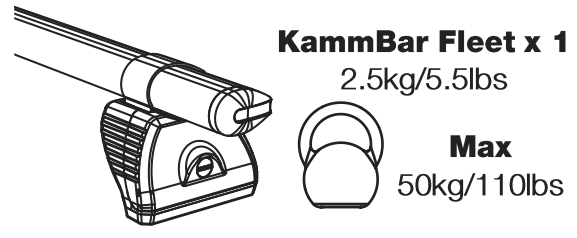
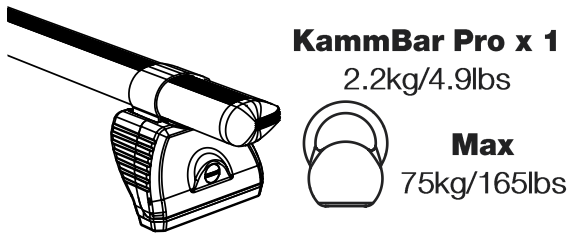
KammBar

Instructions

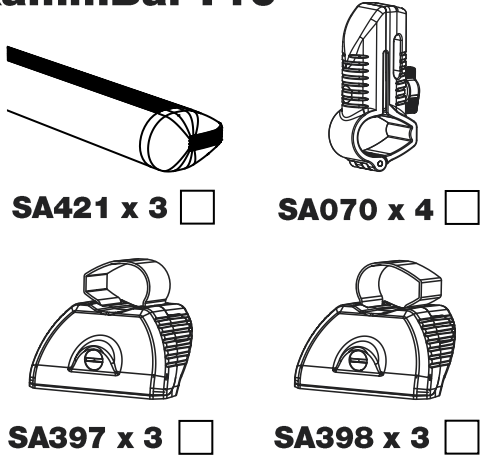


CITY CRASH (✓)

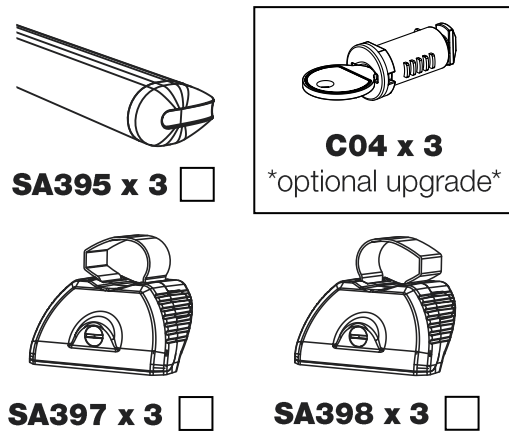
According to ISO/ PAS 11154:2006



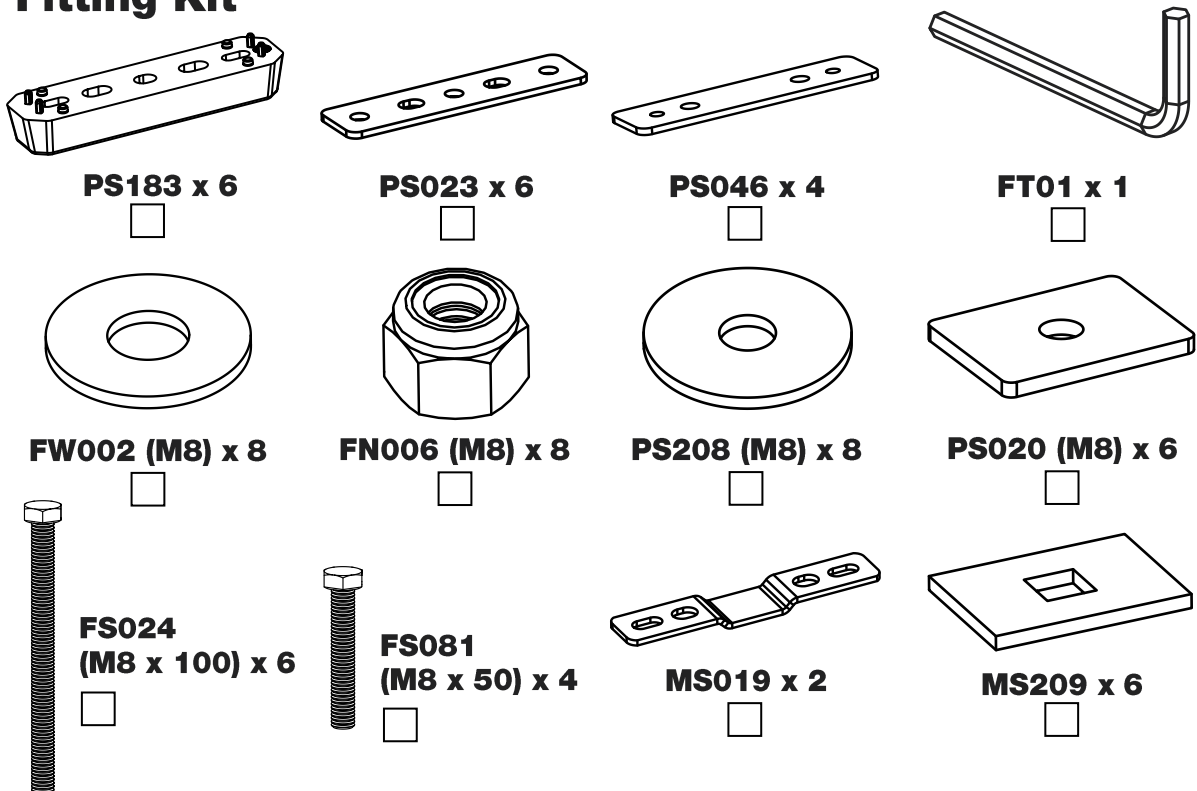
KammBar Pro



KammBar Fleet

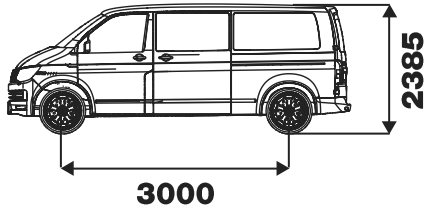


Fitting Kit

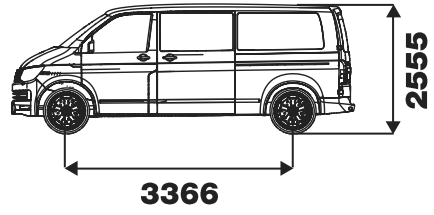




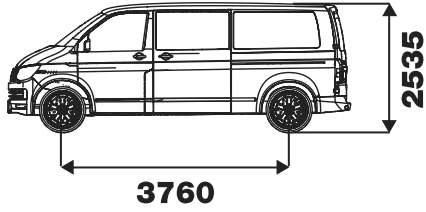
L1/H1 = 1-4, 17-33.



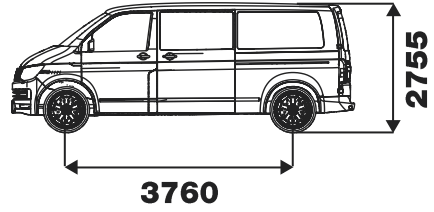
L2/H2 = 5-10, 17-33.



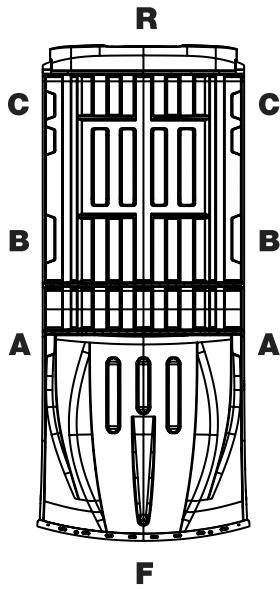
L3/H2 = 11-33.



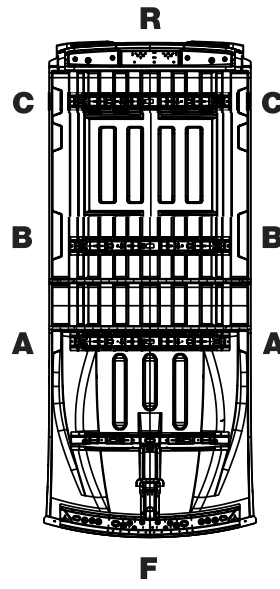
L3/H3 = 11-33.



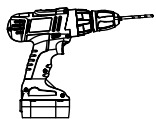
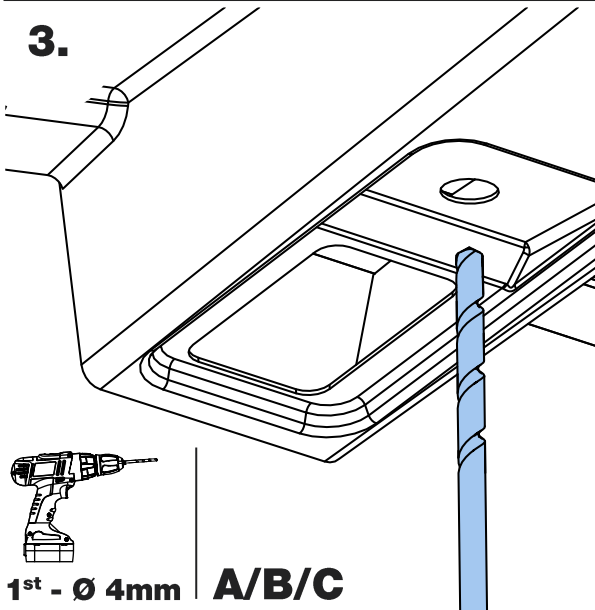
1.



2.

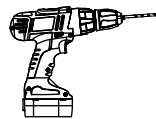
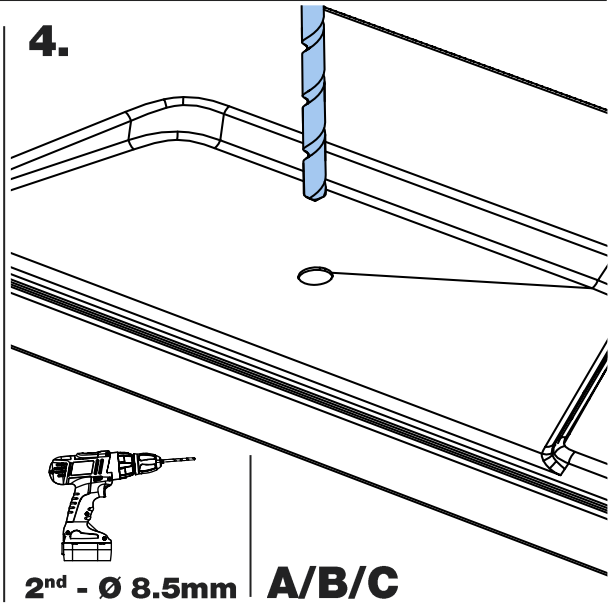


3.

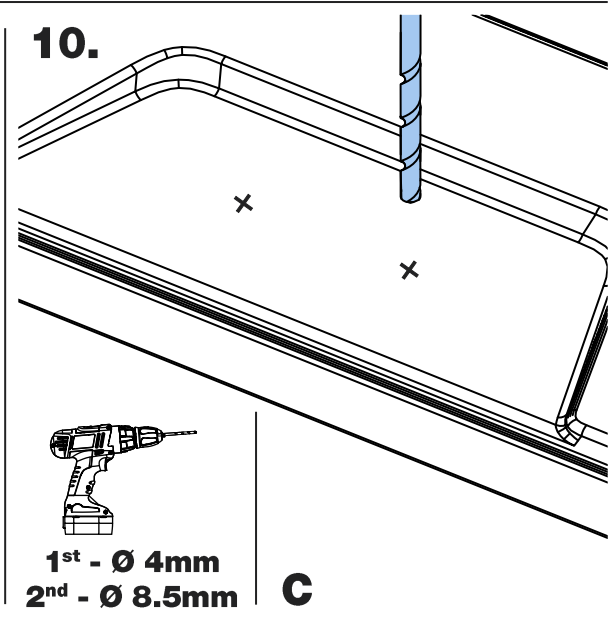
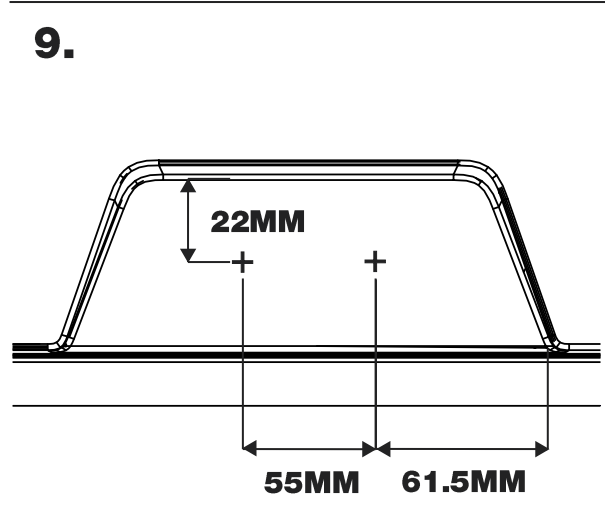
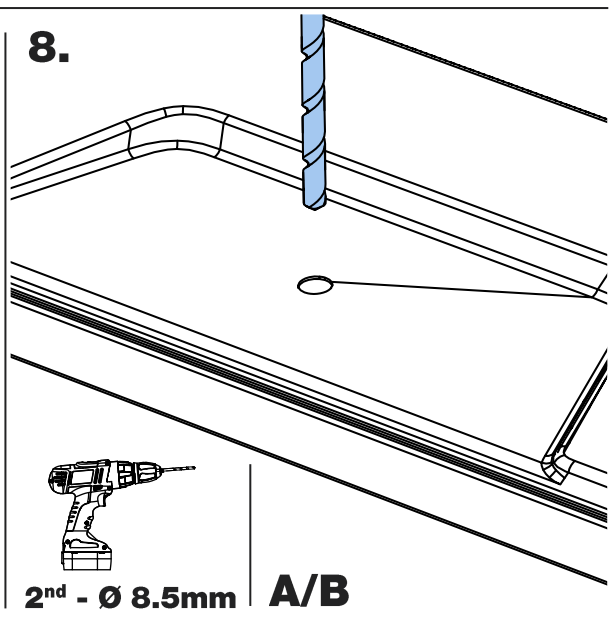
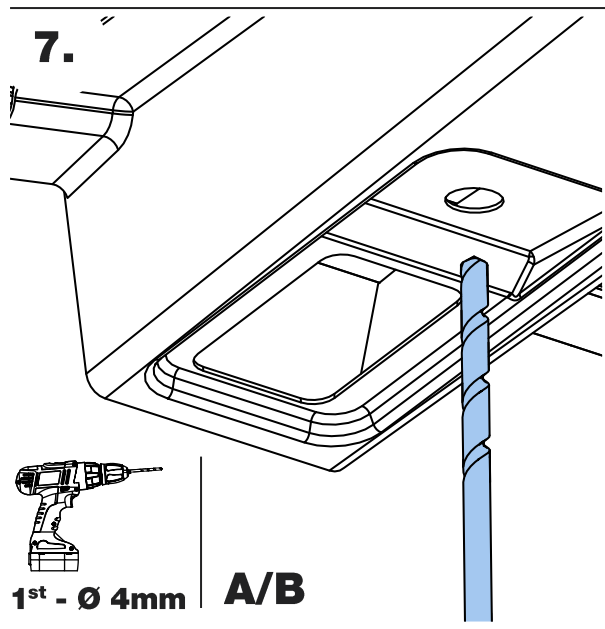
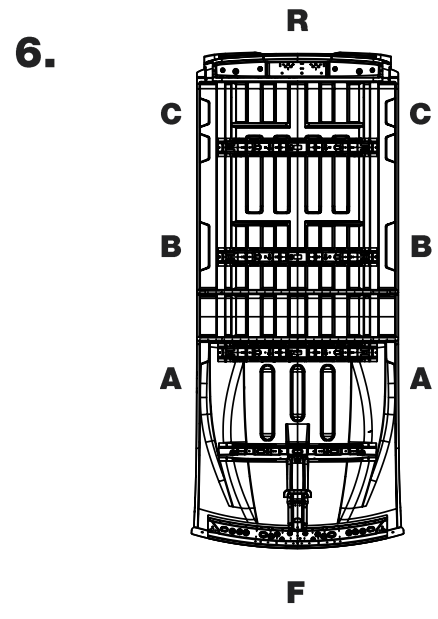
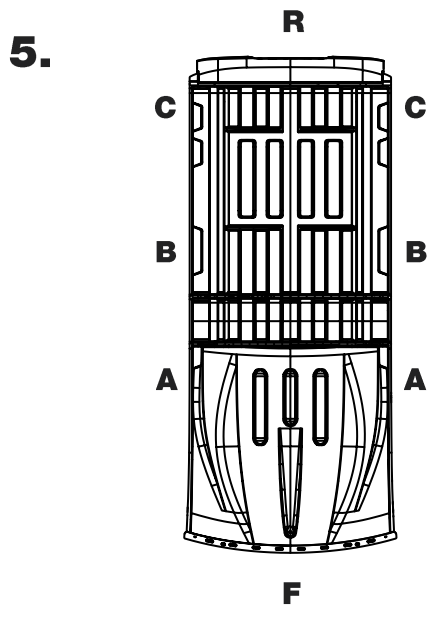


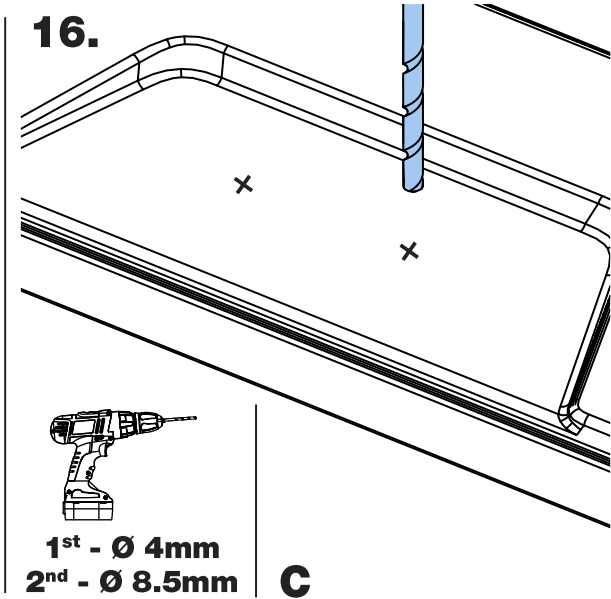
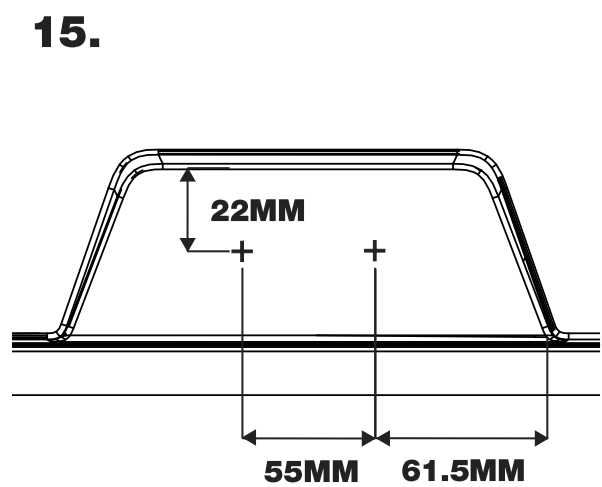
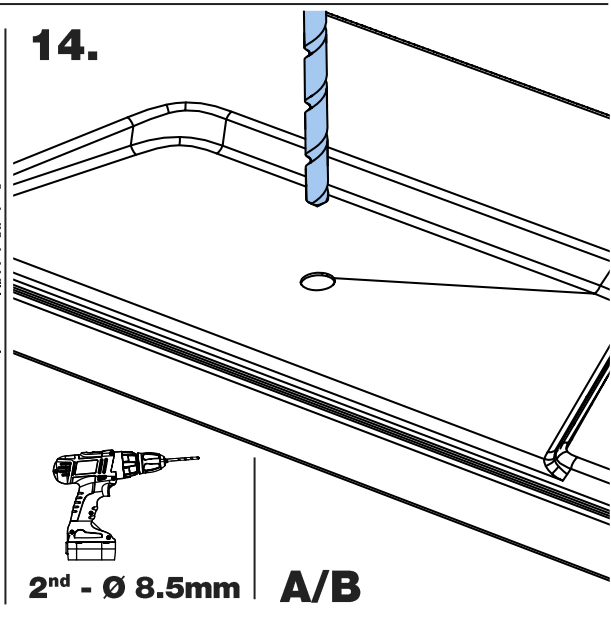
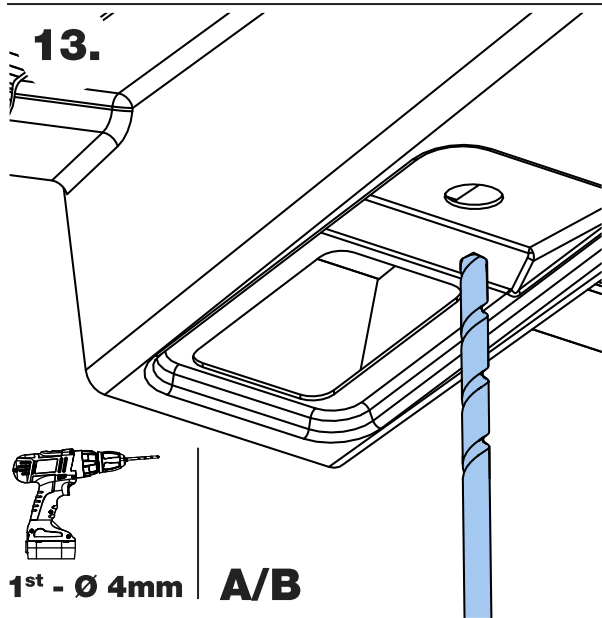
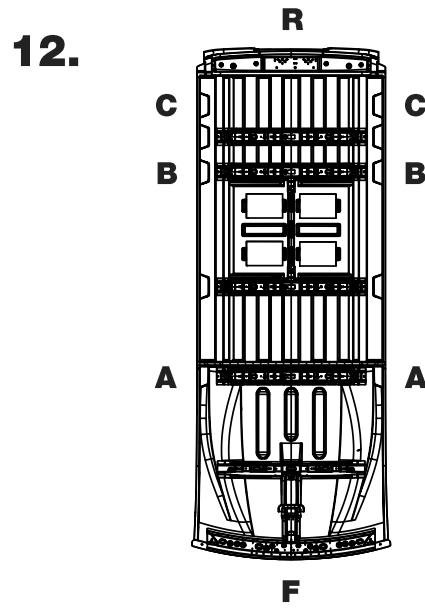
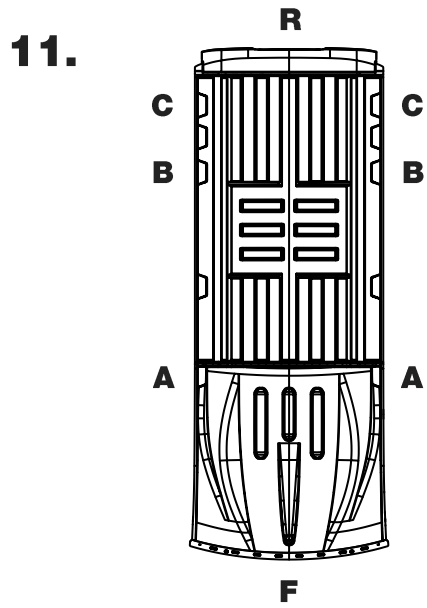
1st - Ø 4mm A/B/C

4.

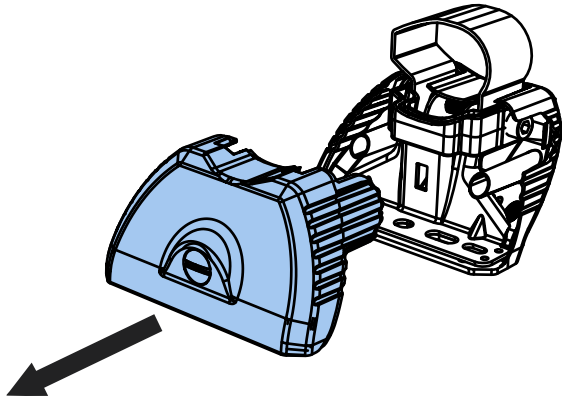


2nd - Ø 8.5mm A/B/C

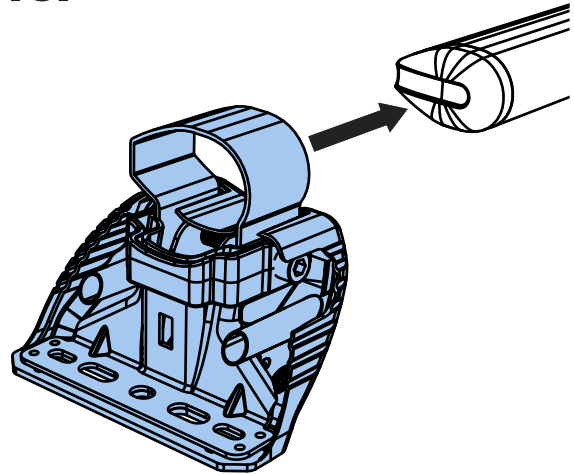




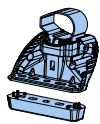
17.



18.

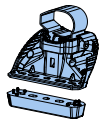


19.



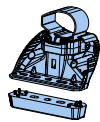
SA397

PS183



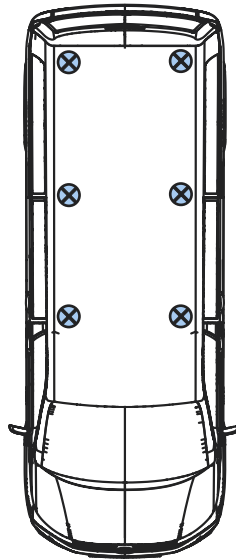
SA397

PS183

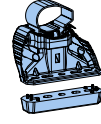


SA397

PS183

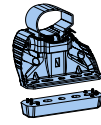


SA398



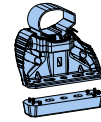
PS183

SA398



PS183

SA398



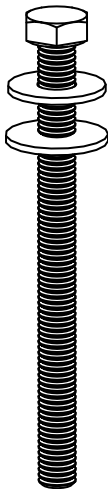
PS183

20.

FW002

PS208

FS024



M8 x 100mm



M8 x 50mm

FW002

PS208

FS081

21.

