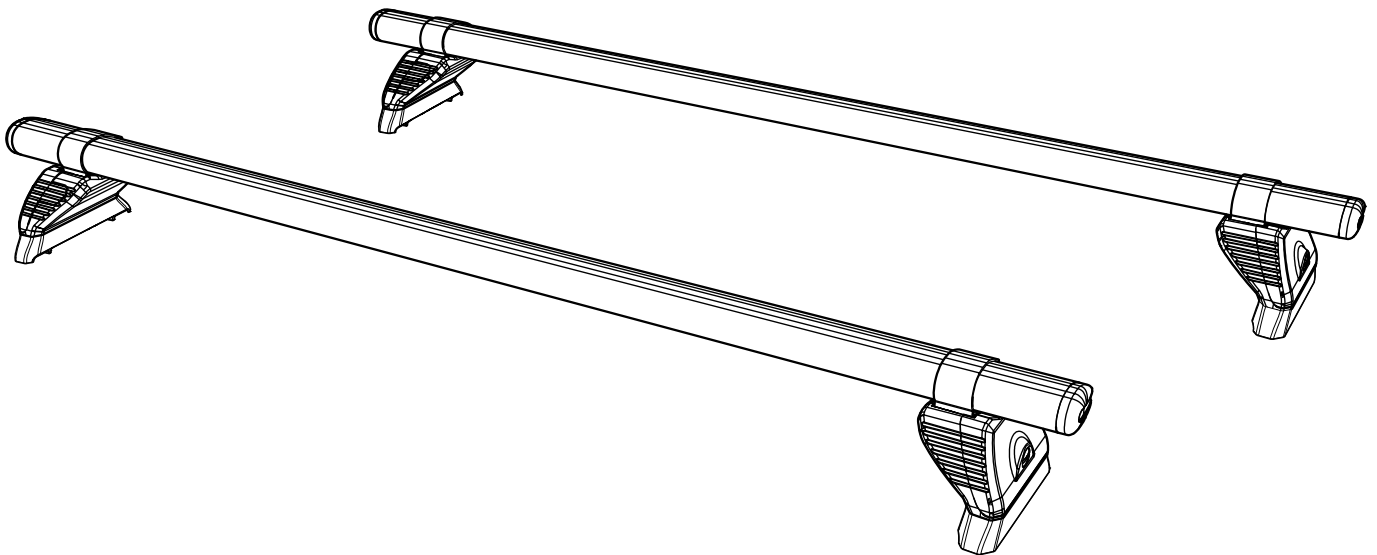


# XD2PR/FL

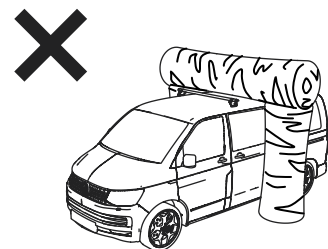
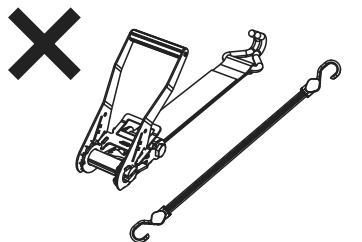
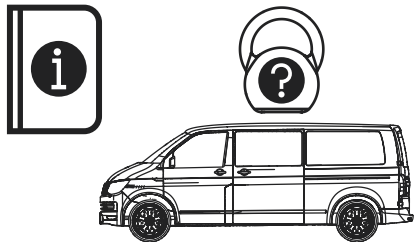
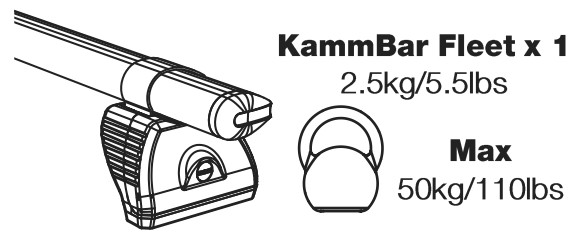
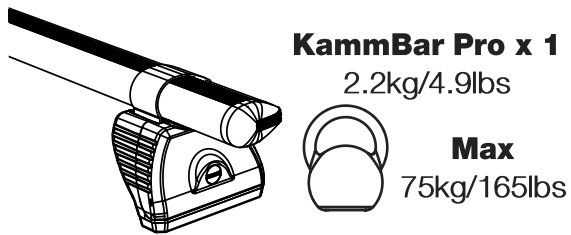
# KammBar

## Instructions

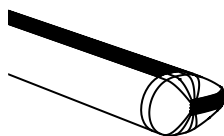


**CITY CRASH** (✓)

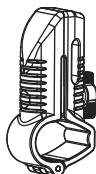
According to ISO/ PAS 11154:2006



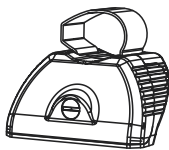
### KammBar Pro



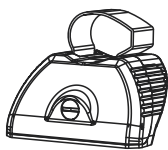
SA420 x 2



SA070 x 4

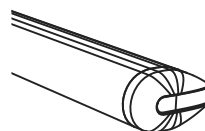


SA397 x 2

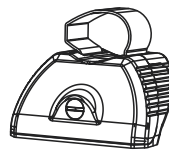


SA398 x 2

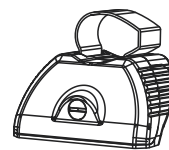
### KammBar Fleet



SA394 x 2

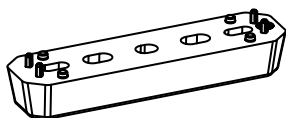


SA397 x 2

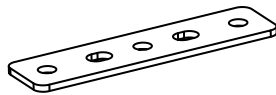


SA398 x 2

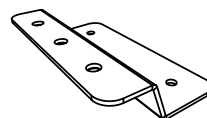
### Fitting Kit



PS183 x 4



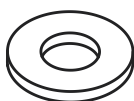
PS023 x 4



MS1132 x 4



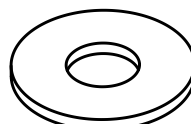
FT01 x 1



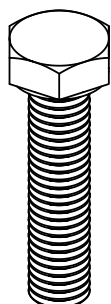
FW001 (M6) x 16



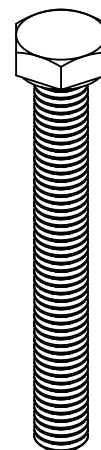
FN001 (M6) x 8



FW021 (M8) x 12

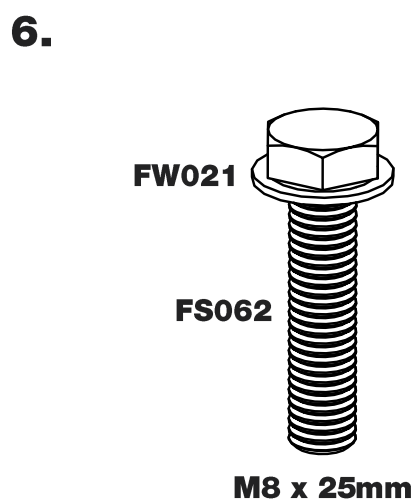
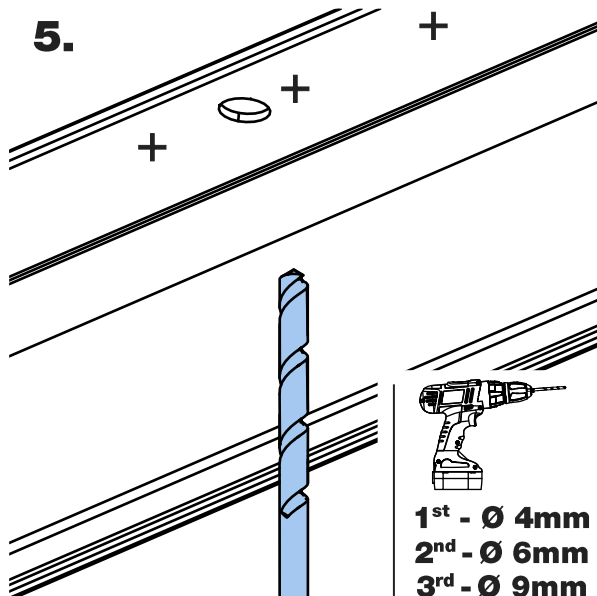
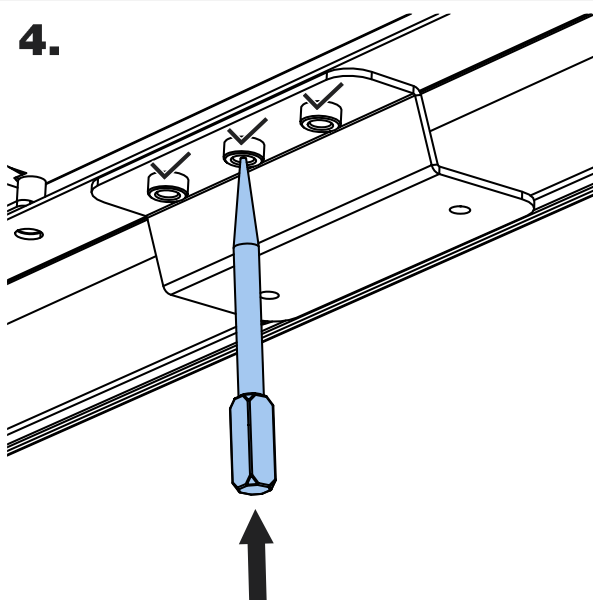
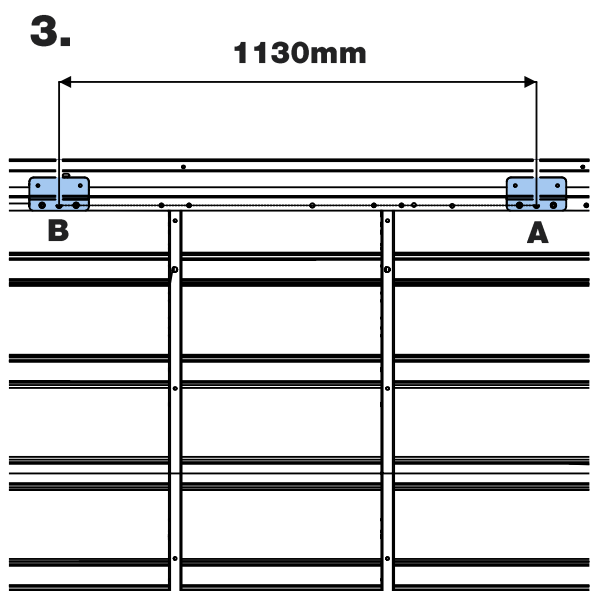
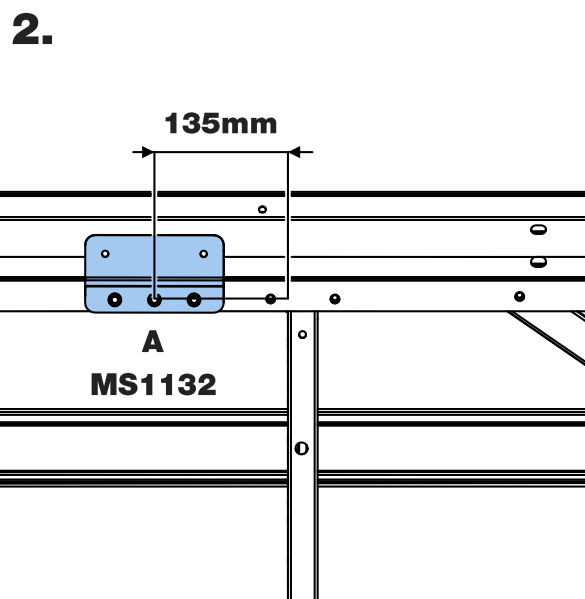
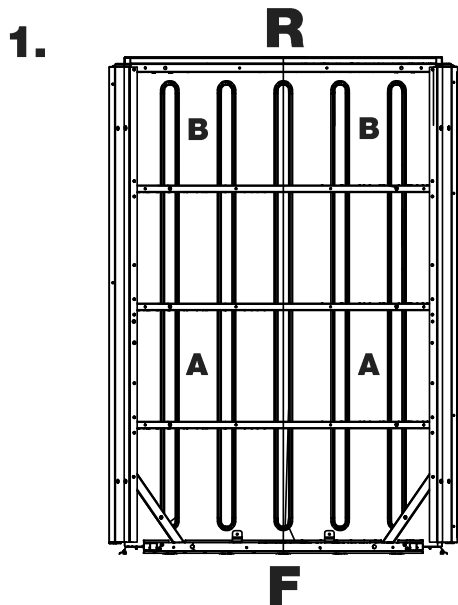


FS062  
(M8 x 25)  
x 12

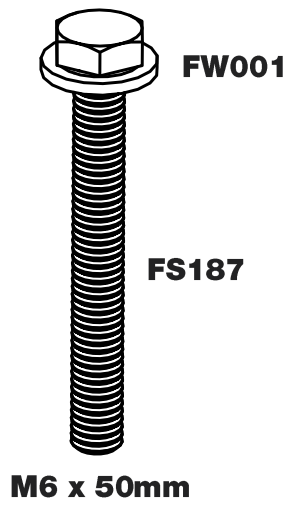


FS187  
(M6 x 50)  
x 8

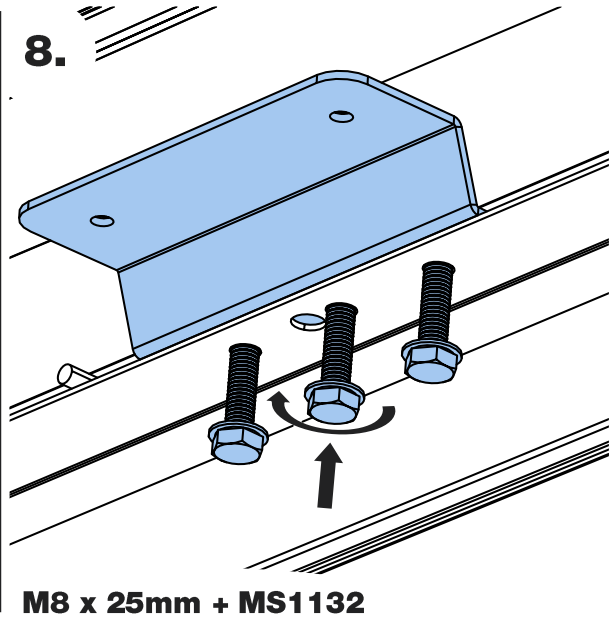




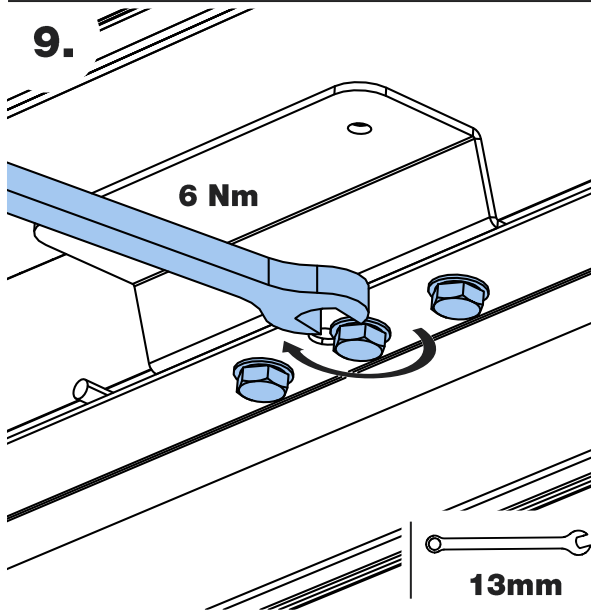
7.



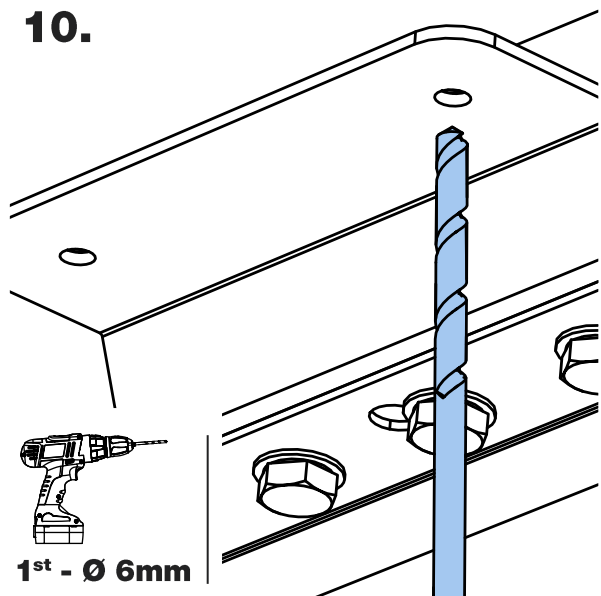
8.



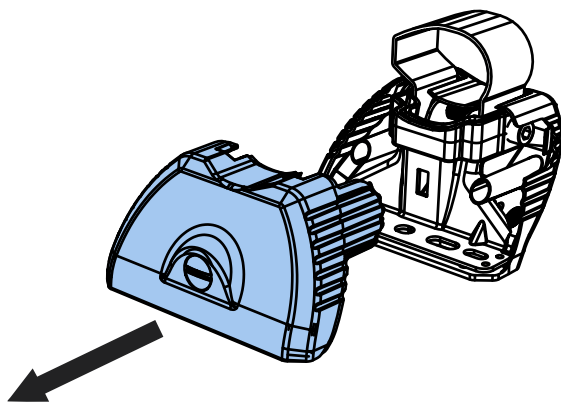
9.



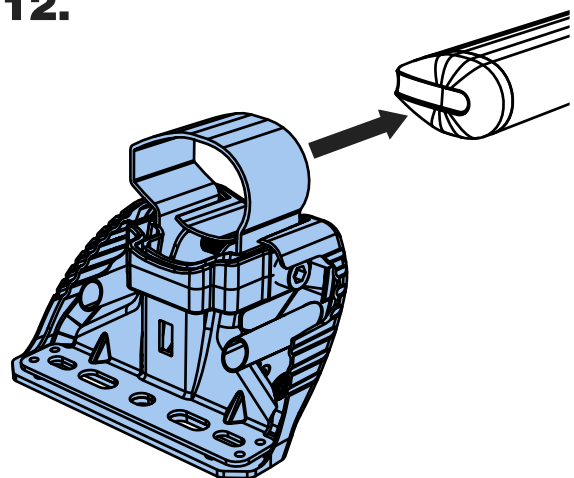
10.



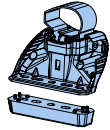
11.



12.

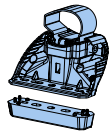
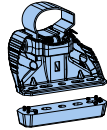


13.



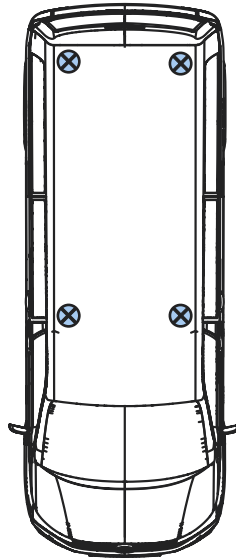
SA397  
PS183

SA398  
PS183

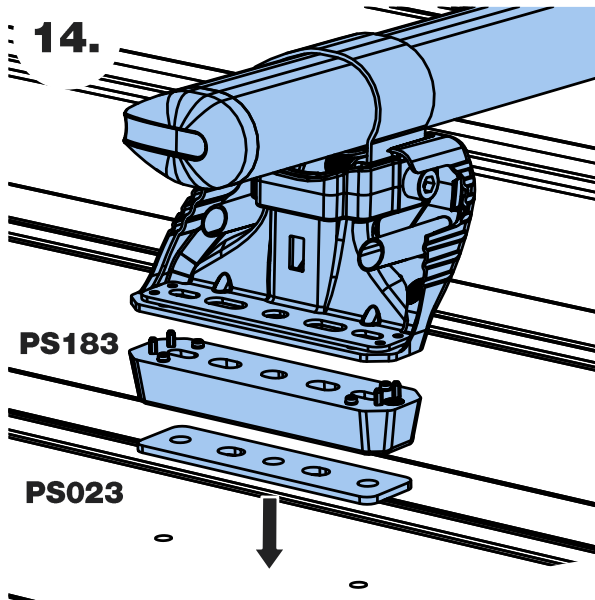


SA397  
PS183

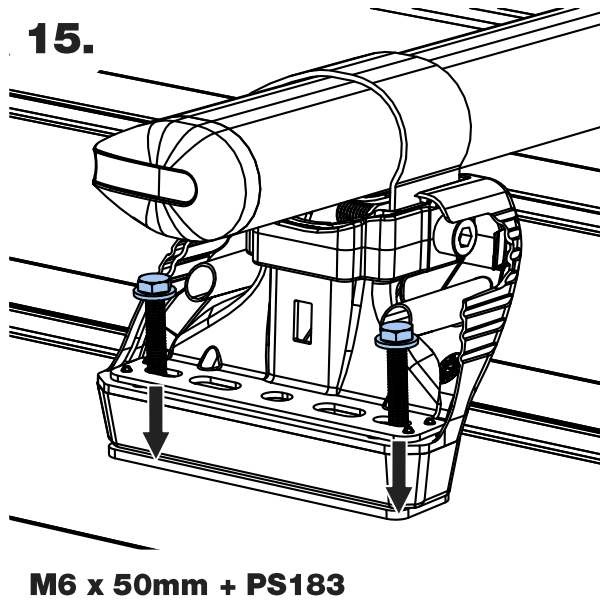
SA398  
PS183



14.

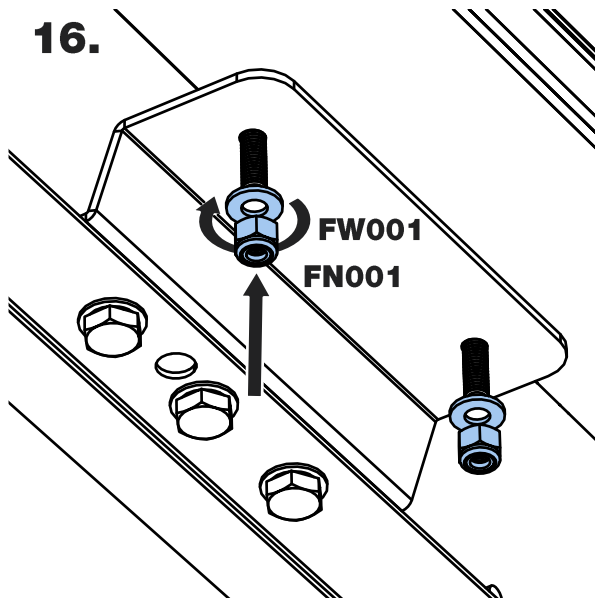


15.

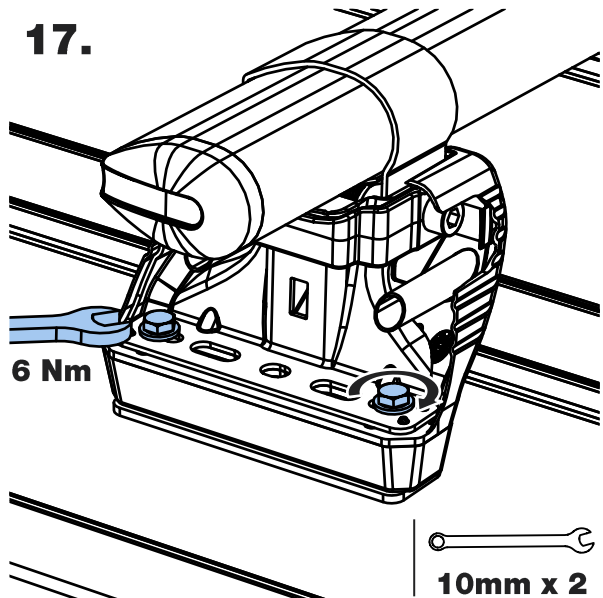


M6 x 50mm + PS183

16.

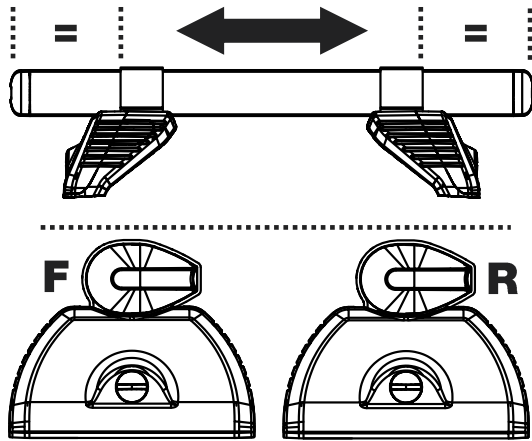


17.

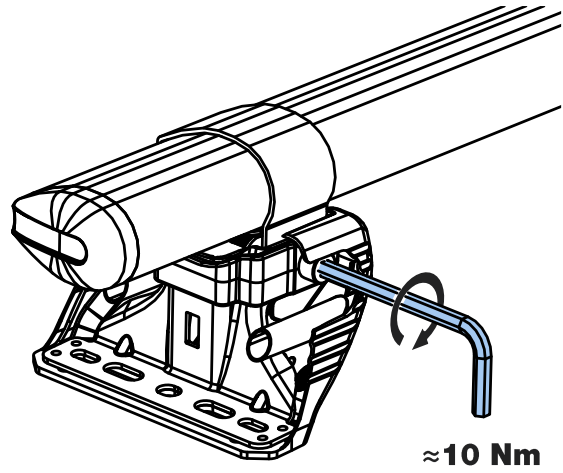


10mm x 2

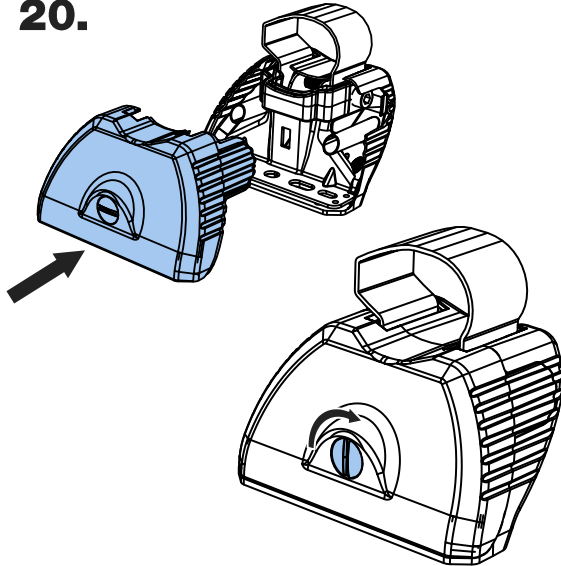
18.



19.



20.



21.

