



Thule Rapid System Kit 1496

> Instructions

FORD Ka, 3-dr Hatchback, 08-14

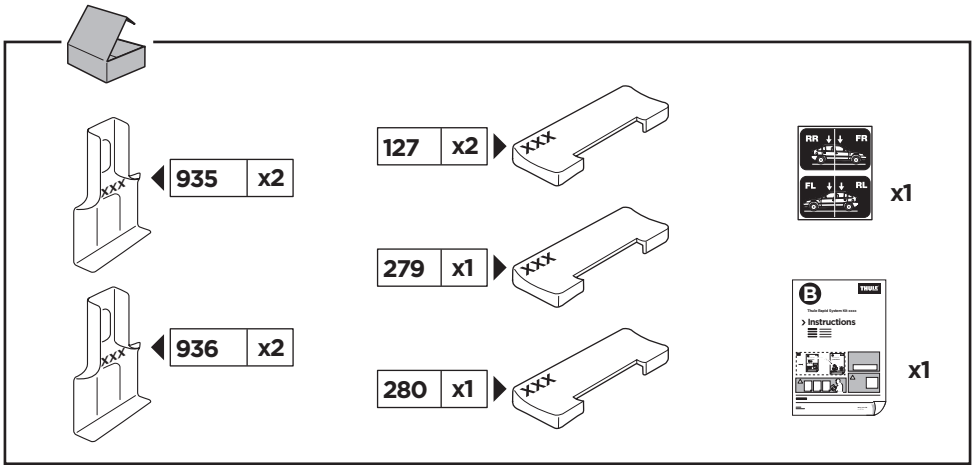
The diagram is divided into four main sections:

- Top Left:** A dashed box containing an information icon (i), a warning triangle, an illustration of a person reading instructions, and two instruction manuals. Manual B is titled 'Thule Rapid System Kit 1496 > Instructions' and manual A is titled 'Thule Rapid System 754 > Instructions'. An arrow points from manual B to manual A, and another arrow points from manual A to a car roof rack illustration.
- Top Right:** A weight calculation diagram. It shows a bag labeled 'xx kg / xx lbs' plus a roof rack labeled '7 kg / 15,4 lbs' and two screws labeled '3 kg / 6,6 lbs'. Below this, an equals sign points to a box containing 'Max. 50 kg' and 'Max. 110 lbs'.
- Bottom Left:** A dashed box containing a warning triangle, three instruction manuals (A, B, and Security), and an illustration of a person reading the manuals.
- Bottom Right:** A diagram showing a car with a roof rack. A speedometer graphic indicates speed limits: 40 km/h (25 Mph) and 80 km/h (50 Mph) are marked with arrows pointing to the roof rack, while 130 km/h (80 Mph) is marked with a warning triangle.

ISO 11154-E

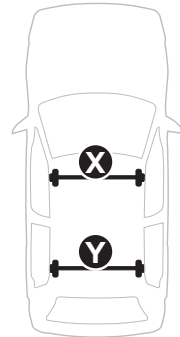
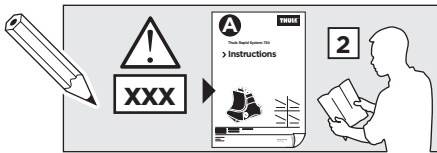
141496
C.20141110
519-1496-03

Bring your life
thule.com



1

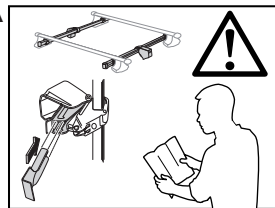
	X (scale)	X (mm)	X (inch)
FORD Ka, 3-dr Hatchback, 08-14	31,5	966	38



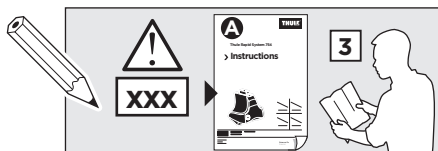
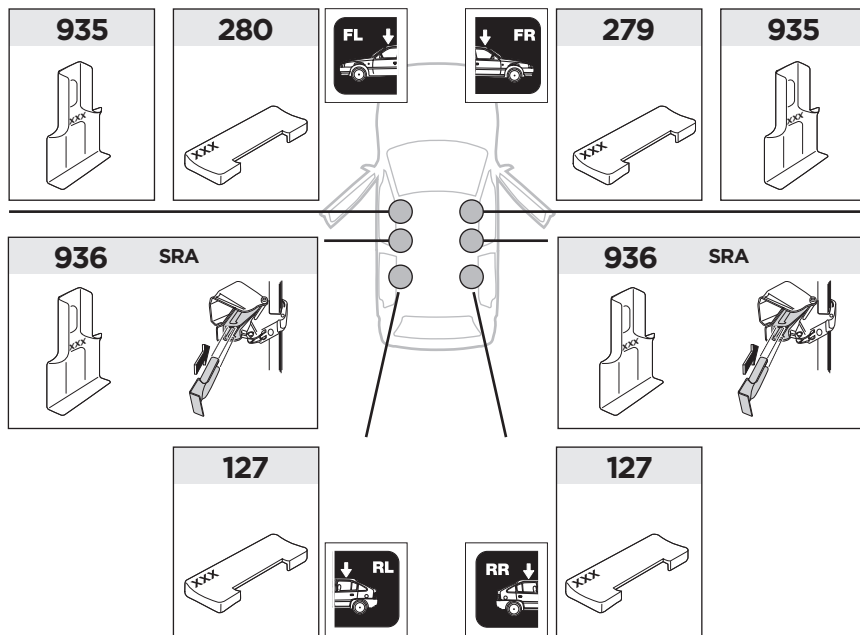
	Y (scale)	Y (mm)	Y (inch)
FORD Ka, 3-dr Hatchback, 08-14	27	921	36 1/4

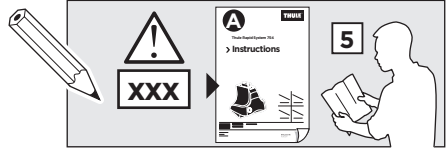
2

SRA



FORD Ka, 3-dr Hatchback, 08-14



3

	W (mm)	Z (mm)	Y (mm)	W (inch)	Z (inch)	Y (inch)
FORD Ka, 3-dr Hatchback, 08-14	205	600	325	8 1/8	23 5/8	12 3/4

