

MENABO

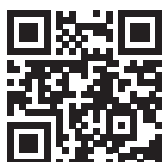
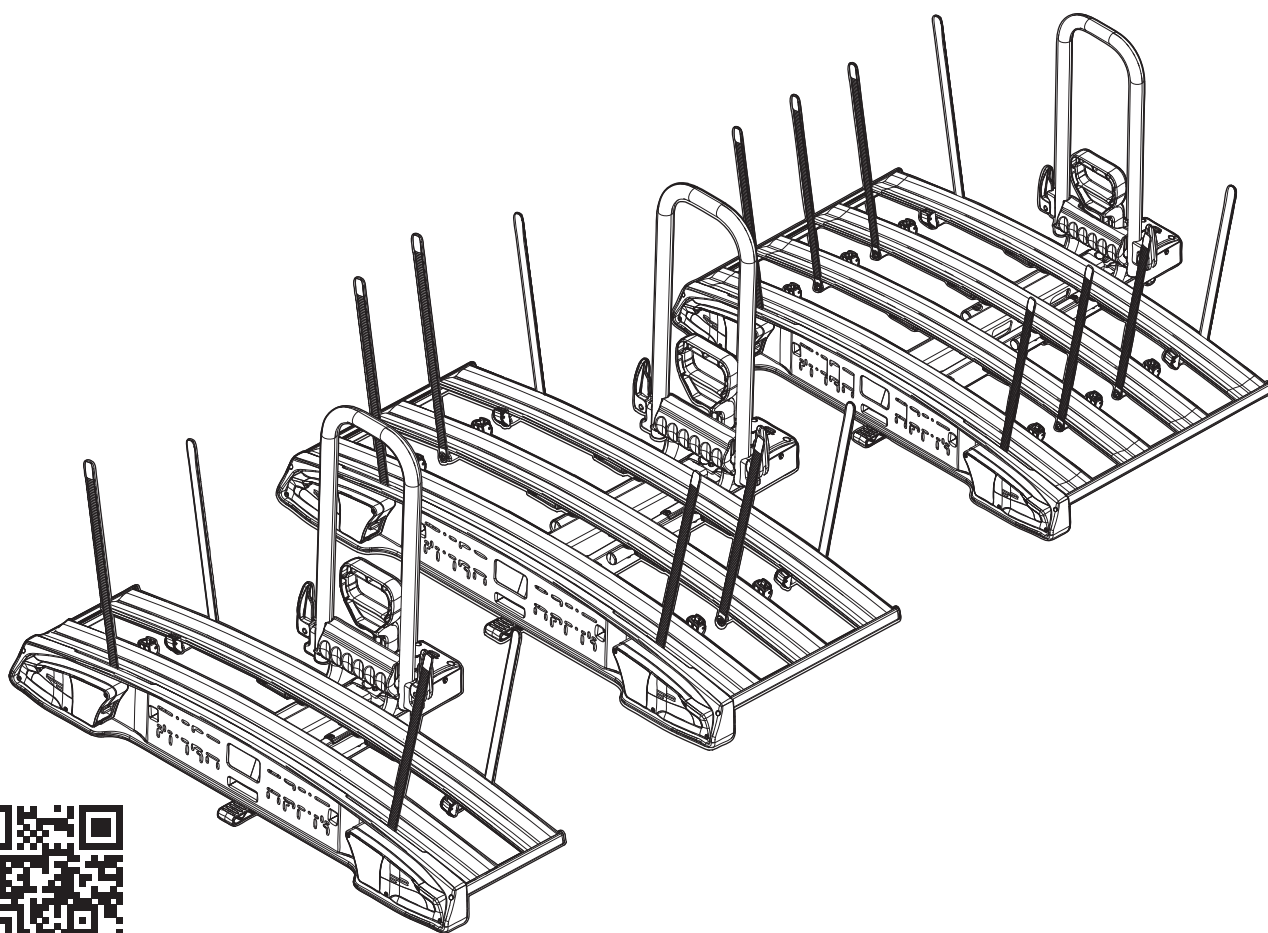
free time on the move

ALCOR 2
ALCOR 3
ALCOR 4

ACRUX 2
ACRUX 3
ACRUX 4



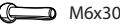








IT Istruzioni di montaggio
EN Fitting instructions
DE Montageanleitung
FR Instructions de montage
ES Instrucciones de montaje
CS Návod na montáž
DA Monteringsvejledning
EL Οδηγίες συναρμολόγησης
ET Paigaldusjuhend
FI Asennusohje
HR Uputa za sastavljanje
HU A felszerelés módja
LT Stiprināšanas instrukcija












LV Pritvirtinimo instrukcijas
NL Instrukcja montażu
NO Monteringsveiledning
PL Instrukcja montażu
PT Instruções de Montagem
RO Instrucțiuni de montare
RU Инструкции по установке
SK Návod na montáž
SL Navodila za pritrjevanje
SV Monteringsanvisning
TK Uydurma talimat
ZH 裝修指導
AR تعليمات التجميع
























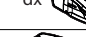


Made in Italy










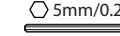
















N	[IT]Componenti (Inclusi) [EN]Components (Included) [FR]Composants (Comprises)	[DE]Die Komponenten (im Lieferumfang enthalten) [ES]Componentes (Incluido)	Q
1a			1
2			1
3	 M6x30		2
4			1
5			1
6			6
7			1
8	 2,5m/8.2ft		1
12	 5mm/0.2"		1
13	 M6		2
14	 XXXX		2

N	[IT]Ricambi (A Richiesta) [EN]Spare Parts (Made to order) [FR]Pièces de rechange (Sur commande)	[DE]E Teile (auf Anfrage) [ES]Piezas de recambio (Previa solicitud)	Q	Codice-Code-Código
2			1	700036300000
3	 M6x30		2	
13	 M6		2	
4			1	700003200000
5			1	700003100000
6			2	700024000000
7			1	700033600000
8	 2,5m/8.2ft		1	700001100000
10	 dx		1	700033700000
11	 sx		1	700033800000
12	 5mm/0.2"		1	700025000000

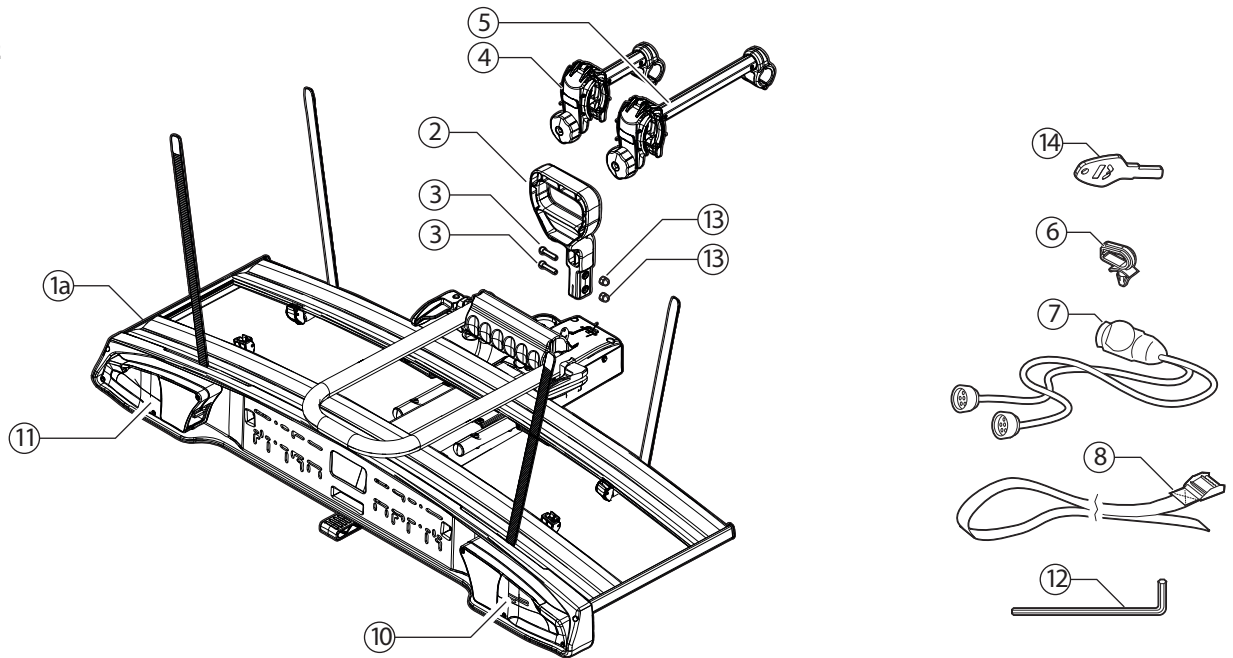
N	[IT]Componenti (Inclusi) [EN]Components (Included) [FR]Composants (Comprises)	[DE]Die Komponenten (im Lieferumfang enthalten) [ES]Componentes (Incluido)	Q
1b			1
2			1
3	 M6x30		2
4			1
5			1
9			1
6			6
7			1
8	 2,5m/8.2ft		1
12	 5mm/0.2"		1
13	 M6		2
14	 XXXX		2

N	[IT]Ricambi (A Richiesta) [EN]Spare Parts (Made to order) [FR]Pièces de rechange (Sur commande)	[DE]E Teile (auf Anfrage) [ES]Piezas de recambio (Previa solicitud)	Q	Codice-Code-Código
2			1	700036300000
3	 M6x30		2	
13	 M6		2	
4			1	700003200000
5			1	700003100000
9			1	700006900000
6			2	700024000000
7			1	700033600000
8	 2,5m/8.2ft		1	700001100000
10	 dx		1	700033700000
11	 sx		1	700033800000
12	 5mm/0.2"		1	700025000000

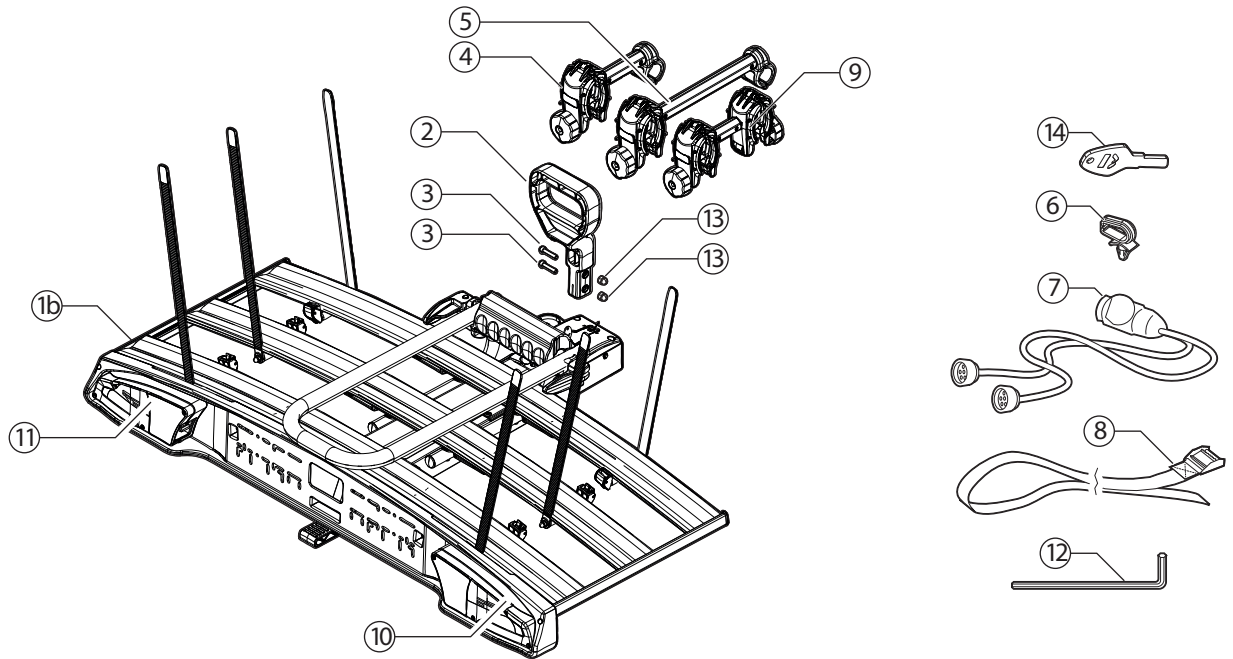
N	[IT]Componenti (Inclusi) [EN]Components (Included) [FR]Composants (Comprises)	[DE]Die Komponenten (im Lieferumfang enthalten) [ES]Componentes (Incluido)	Q
1c			1
2			1
3	 M6x30		2
4			1
5			1
9			2
6			6
7			1
8	 2,5m/8.2ft		1
12	 5mm/0.2"		1
13	 M6		2
14	 XXXX		2

N	[IT]Ricambi (A Richiesta) [EN]Spare Parts (Made to order) [FR]Pièces de rechange (Sur commande)	[DE]E Teile (auf Anfrage) [ES]Piezas de recambio (Previa solicitud)	Q	Codice-Code-Código
2			1	700036300000
3	 M6x30		2	
13	 M6		2	
4			1	700003200000
5			1	700003100000
9			2	700006900000
6			2	700024000000
7			1	700033600000
8	 2,5m/8.2ft		1	700001100000
10	 dx		1	700033700000
11	 sx		1	700033800000
12	 5mm/0.2"		1	700025000000

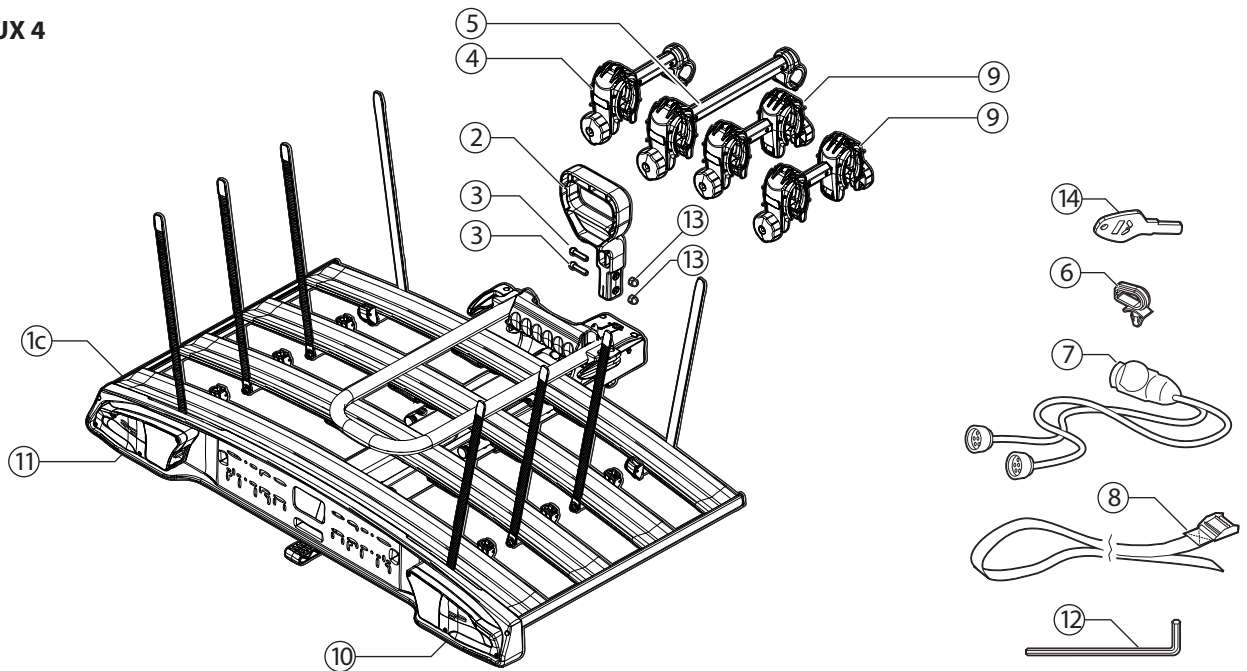
ALCOR 2 / ACRUX 2




ALCOR 3 / ACRUX 3

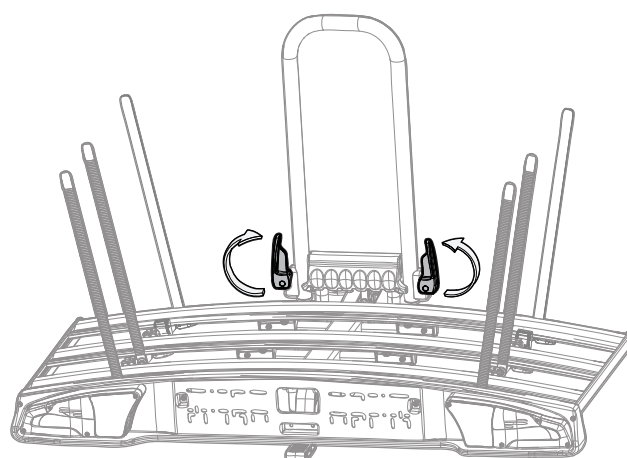
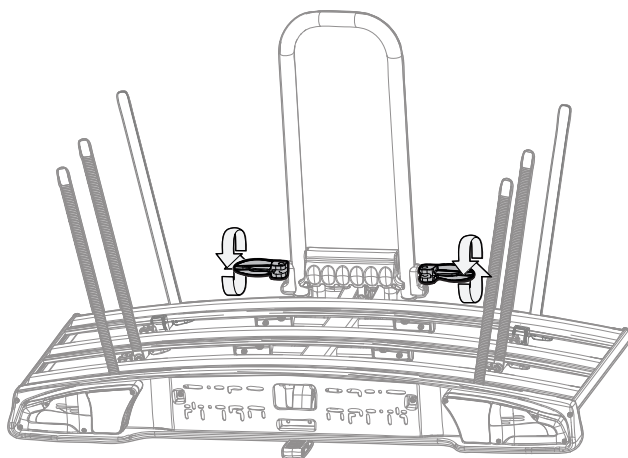
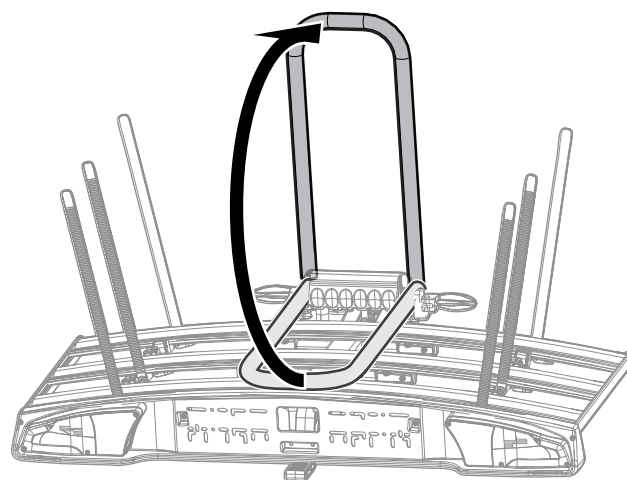
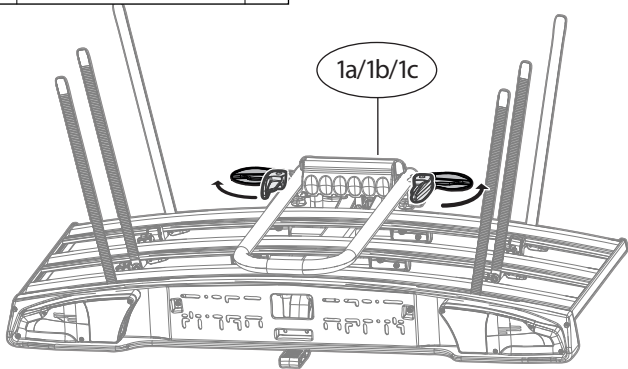


ALCOR 4 / ACRUX 4







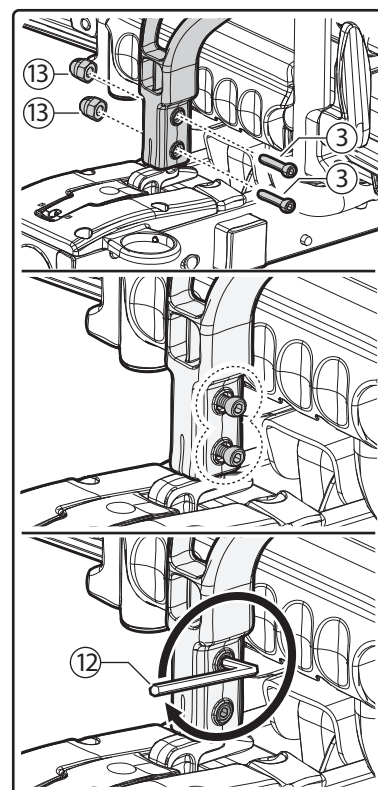
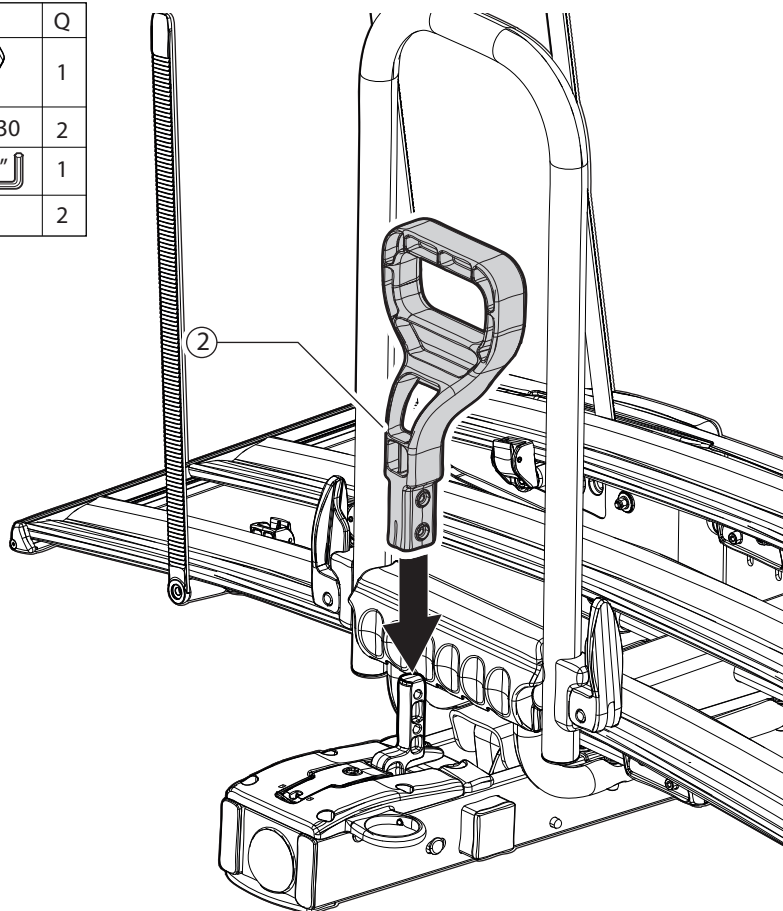
①—ALCOR 2-/ALCOR 3-/ALCOR 4-/ACRUX-2-/ACRUX-3-/ACRUX-4

N		Q
1a		1
1b		
1c		

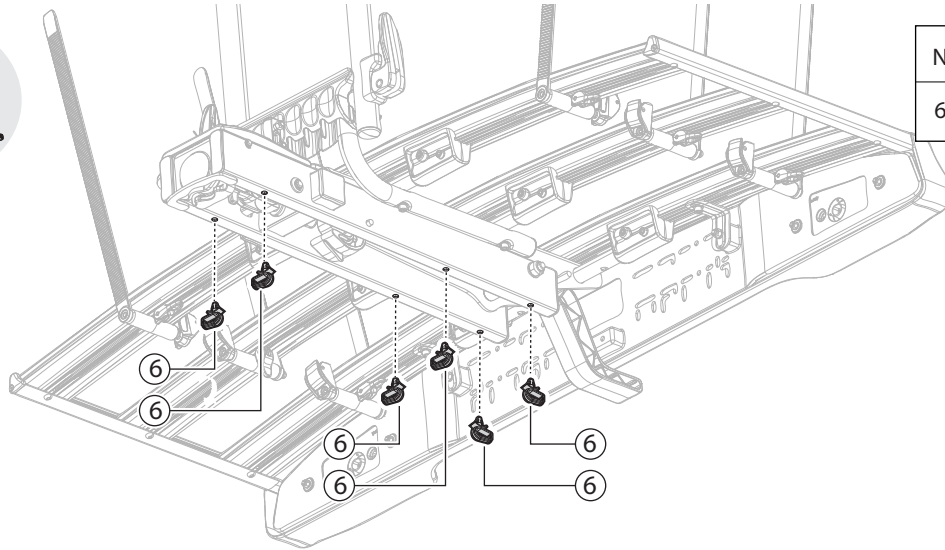


②—ALCOR 2-/ALCOR 3-/ALCOR 4-/ACRUX-2-/ACRUX-3-/ACRUX-4


N		Q
2		1
3	 M6x30	2
12	 5mm/0.2"	1
13	 M6	2

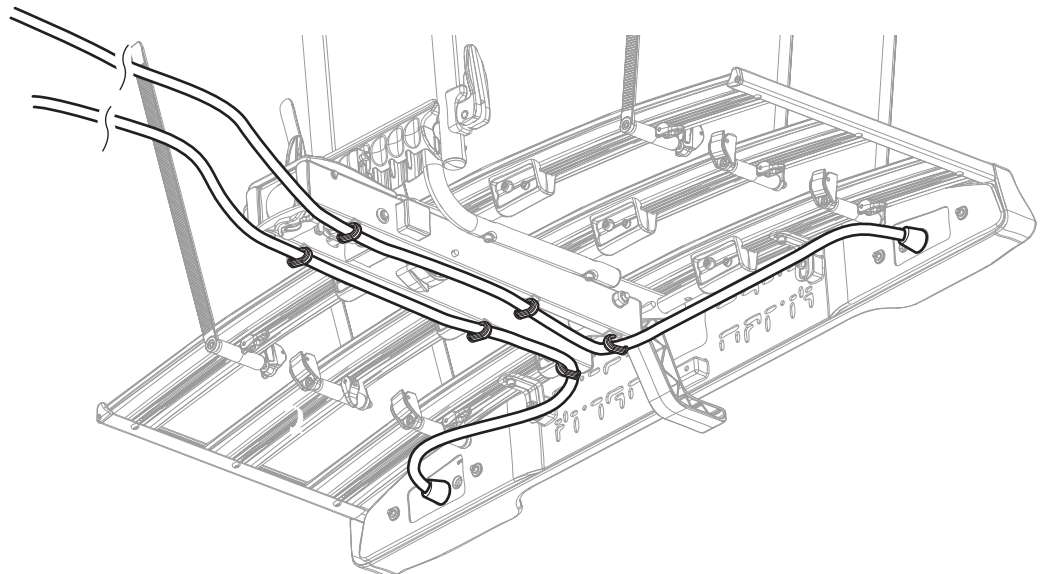
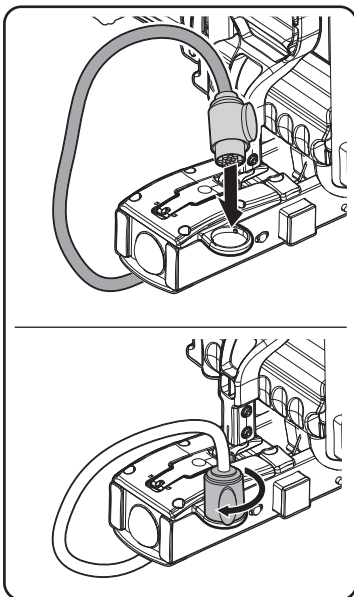
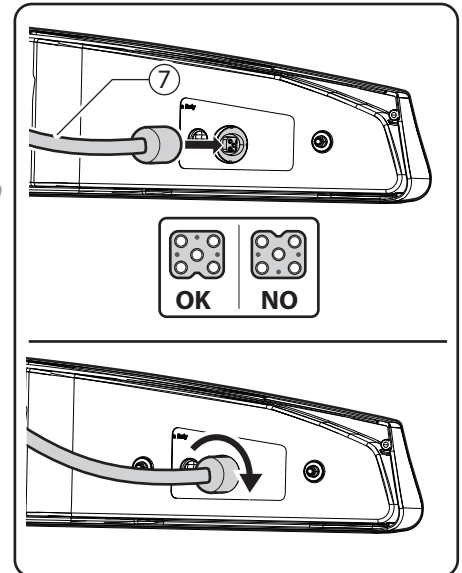
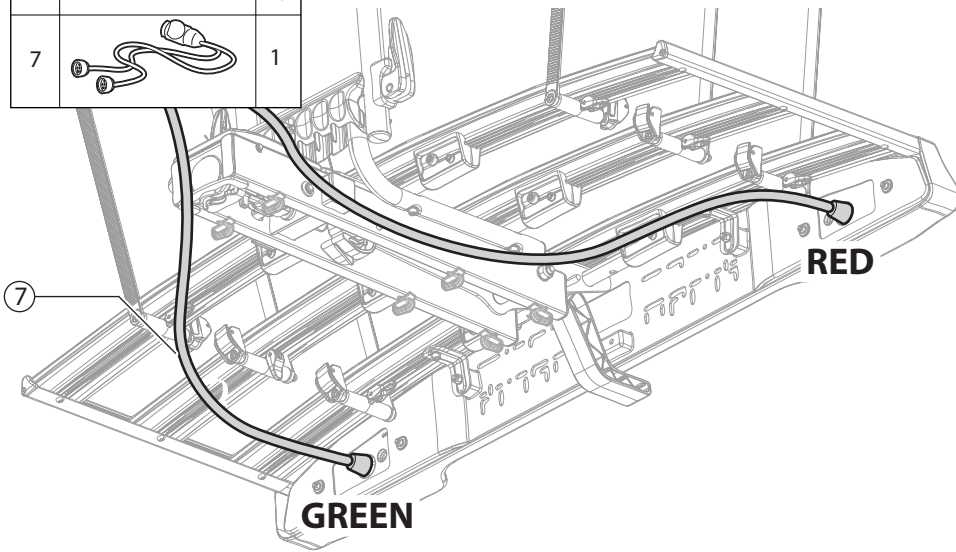


③—ALCOR 2-/ALCOR 3-/ALCOR 4-/ACRUX 2-/ACRUX 3-/ACRUX 4—

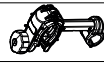



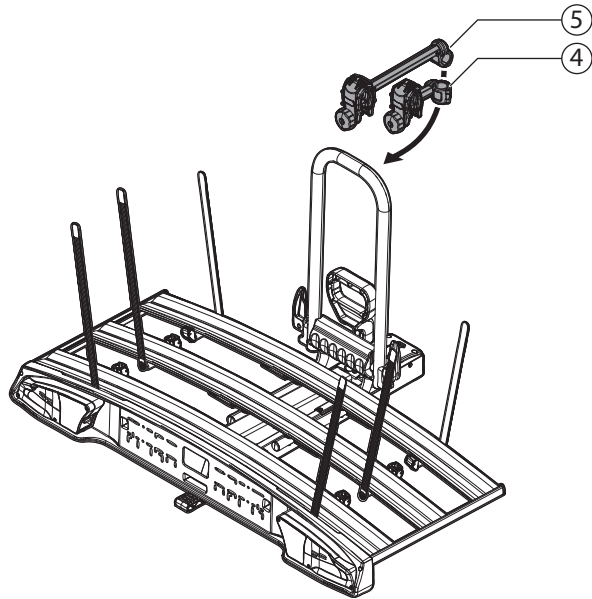
N		Q
6		6

N		Q
7		1

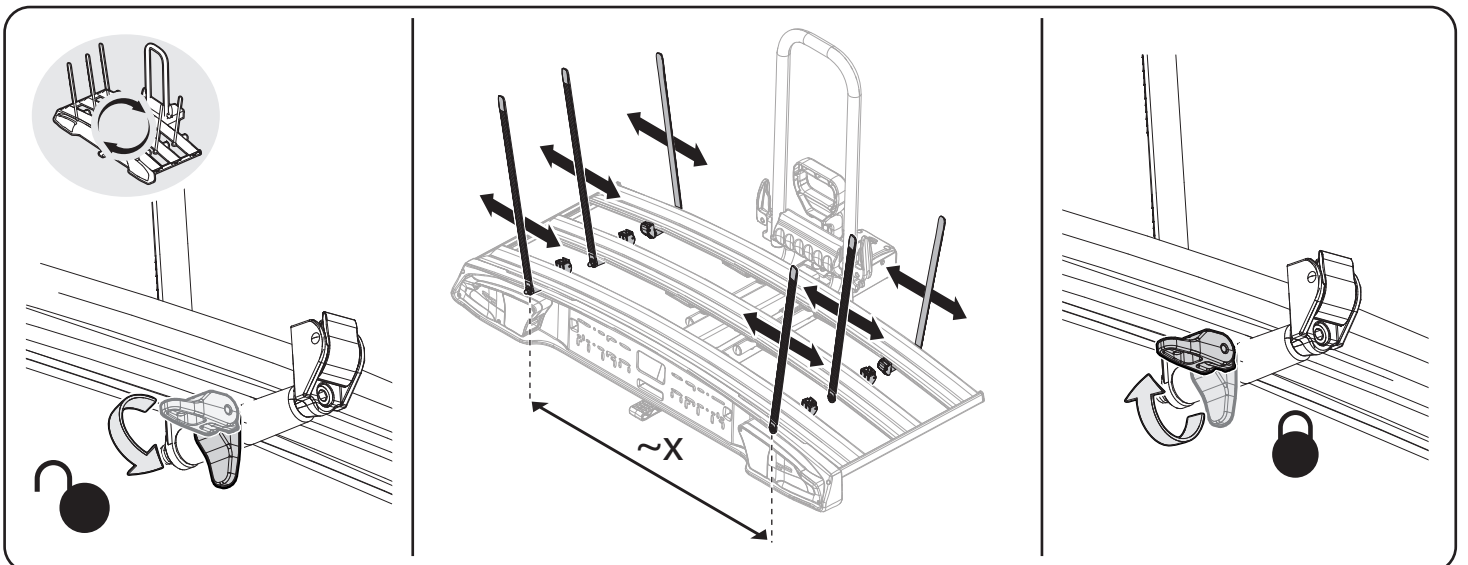
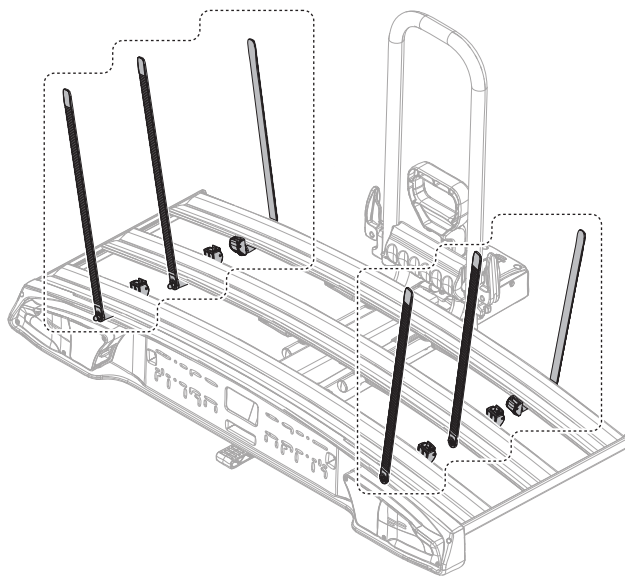
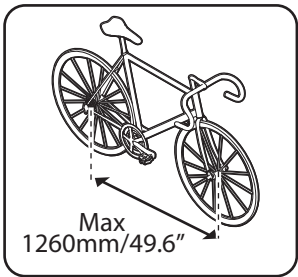


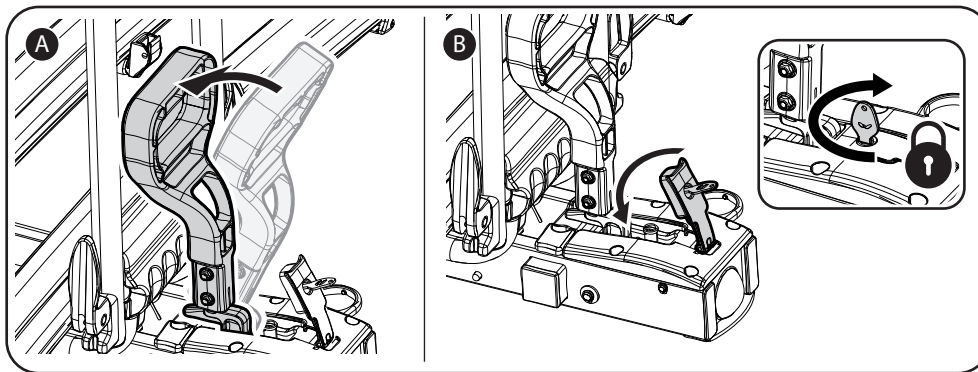
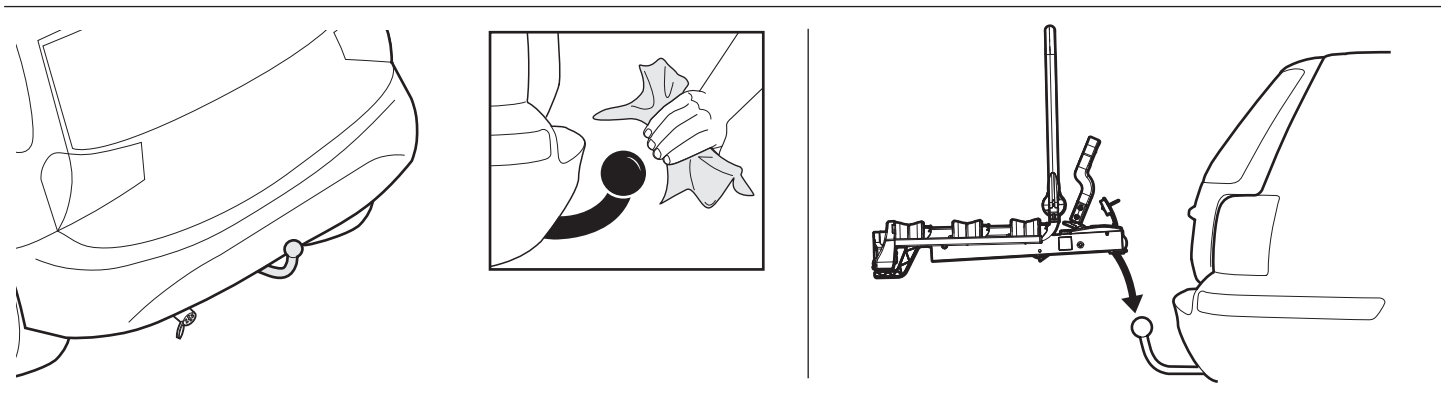
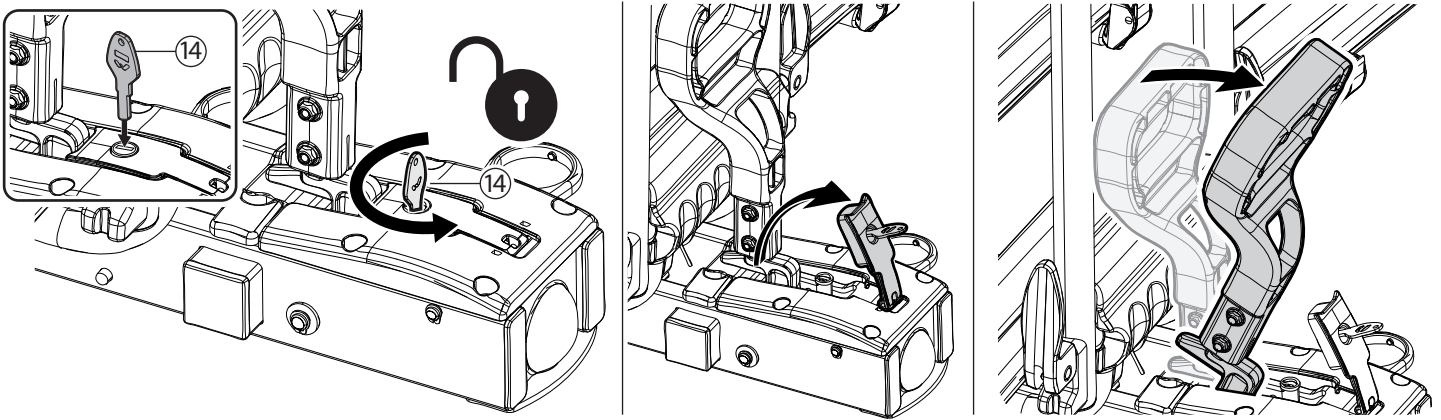
④—ALCOR 2-/ALCOR 3-/ALCOR 4-/ACRUX 2-/ACRUX 3-/ACRUX 4—

N		Q
4		1
5		1



⑤—ALCOR 2-/ALCOR 3-/ALCOR 4-/ACRUX 2-/ACRUX 3-/ACRUX 4—



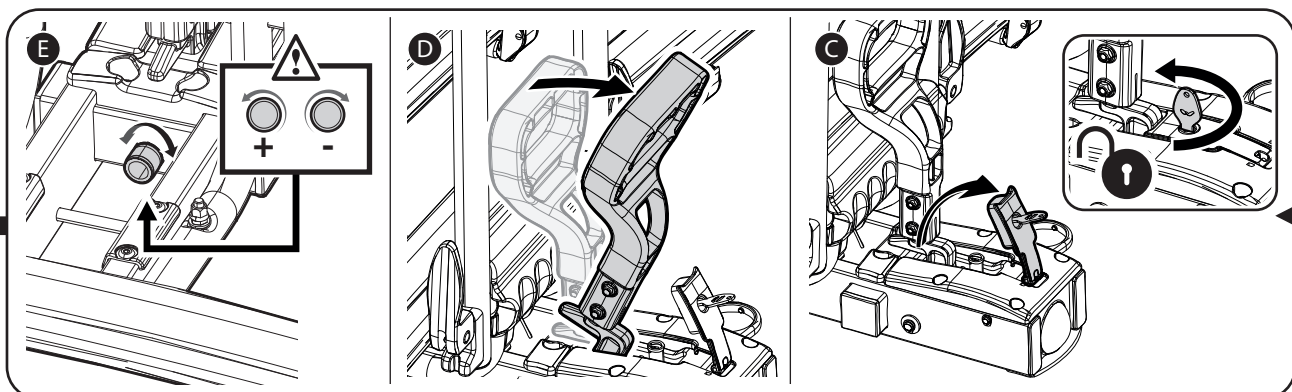


OK

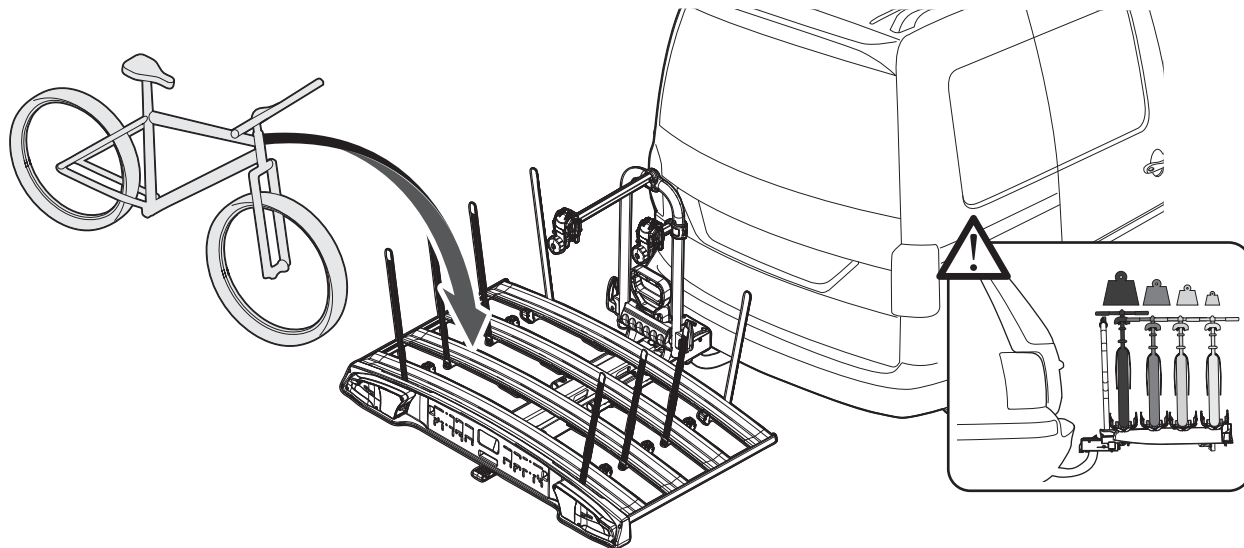
NO



pag.8



⑦—ALCOR 2 / ALCOR 3 / ALCOR 4 / ACRUX 2 / ACRUX 3 / ACRUX 4



MIN Ø30 mm / 1,2"
MAX Ø50 mm / 2"
MIN 30x60 mm / 1,2"x2,4"
MAX 50x70 mm / 2"x 2,7"



MIN 22"
MAX 29"

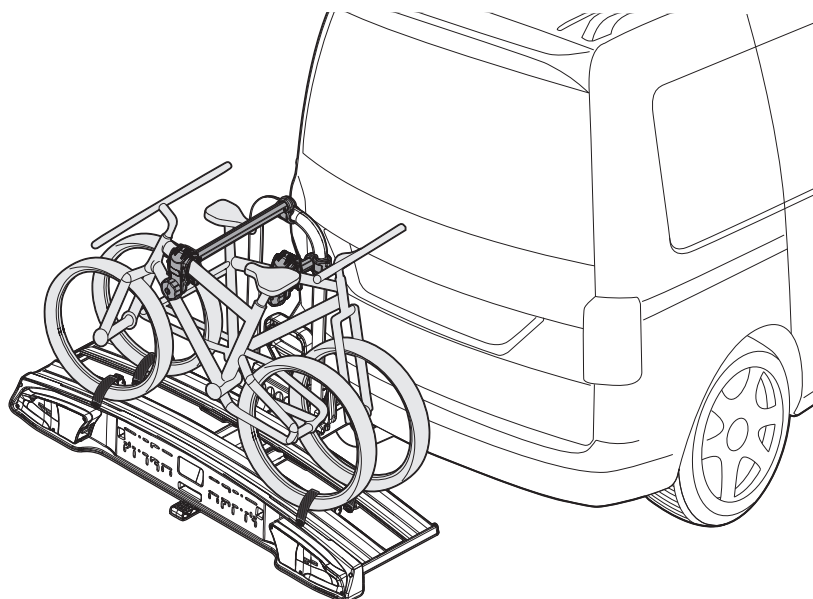
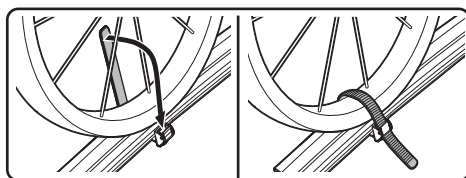
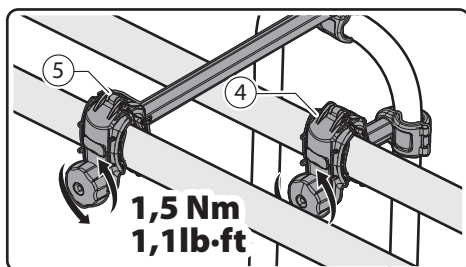


MAX 110mm / 4.3"

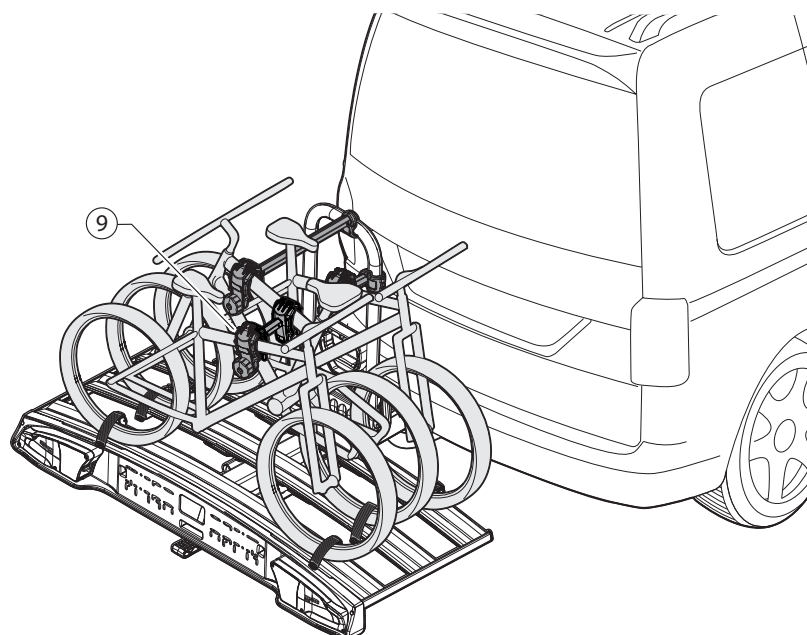
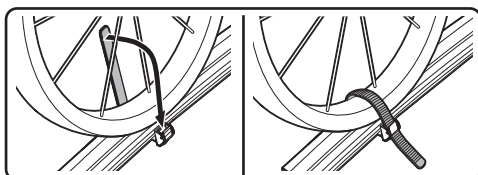
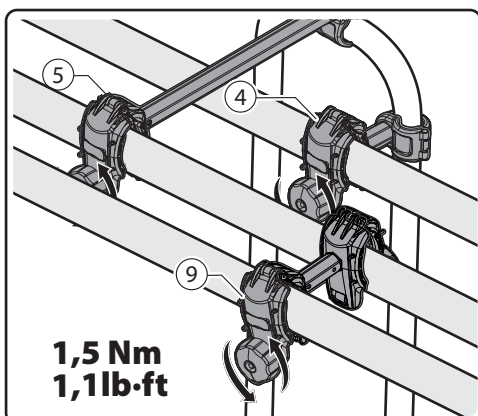


MAX 1260mm / 49,6"

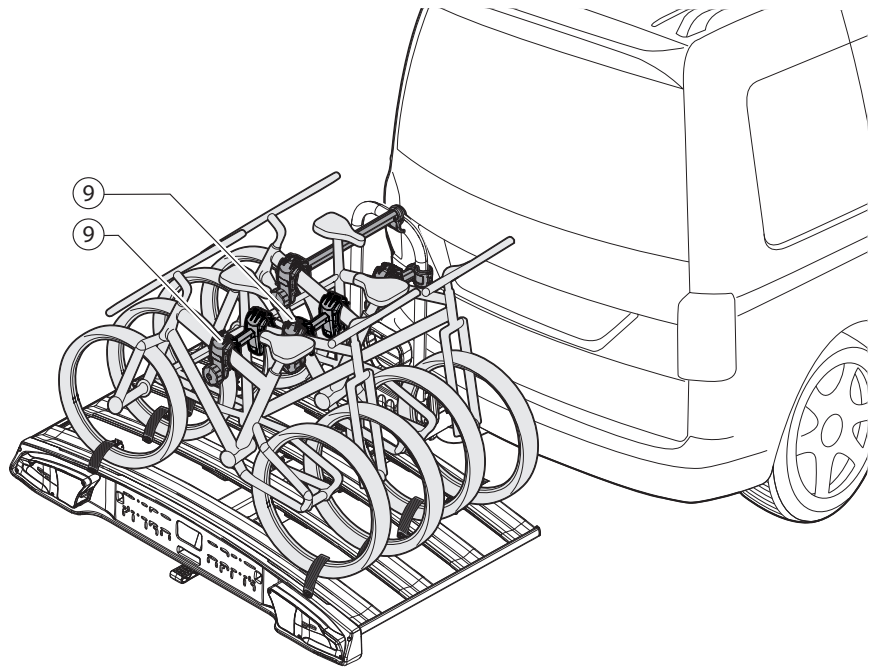
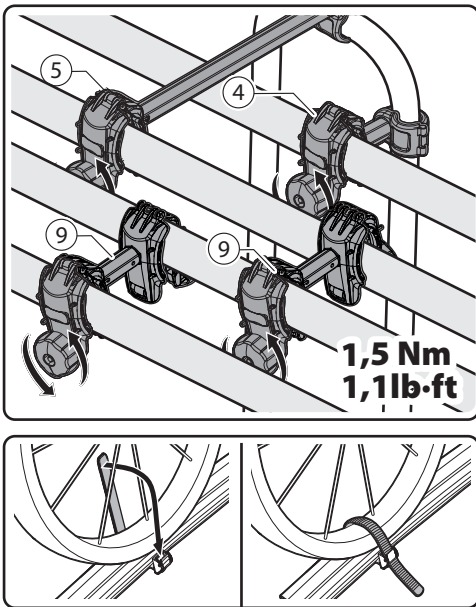
⑧a—ALCOR 2 / ACRUX 2



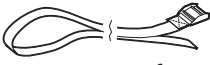
⑧b—ALCOR 3 / ACRUX 3

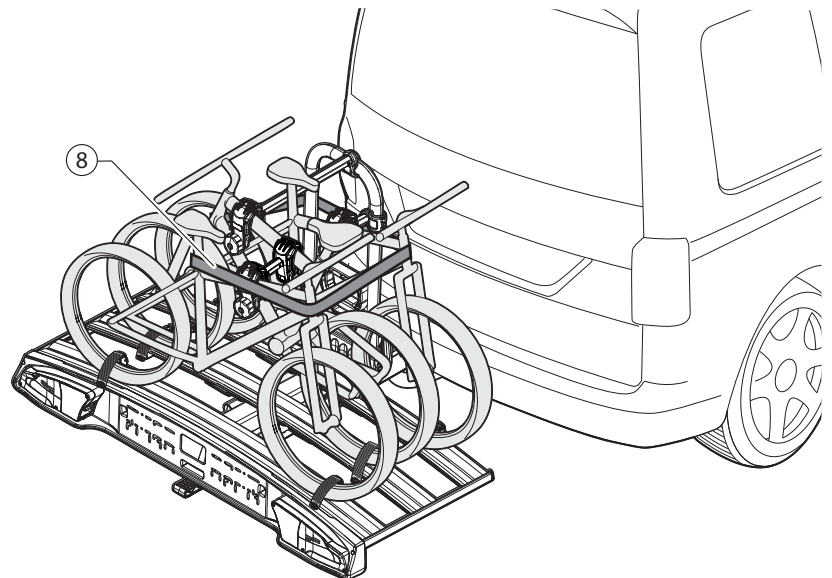


8c — ALCOR 4 / ACRUX 4

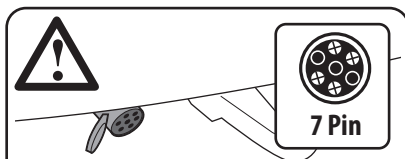
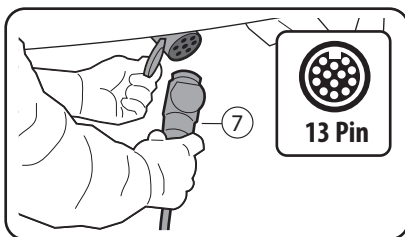


9 — ALCOR 2 / ALCOR 3 / ALCOR 4 / ACRUX 2 / ACRUX 3 / ACRUX 4

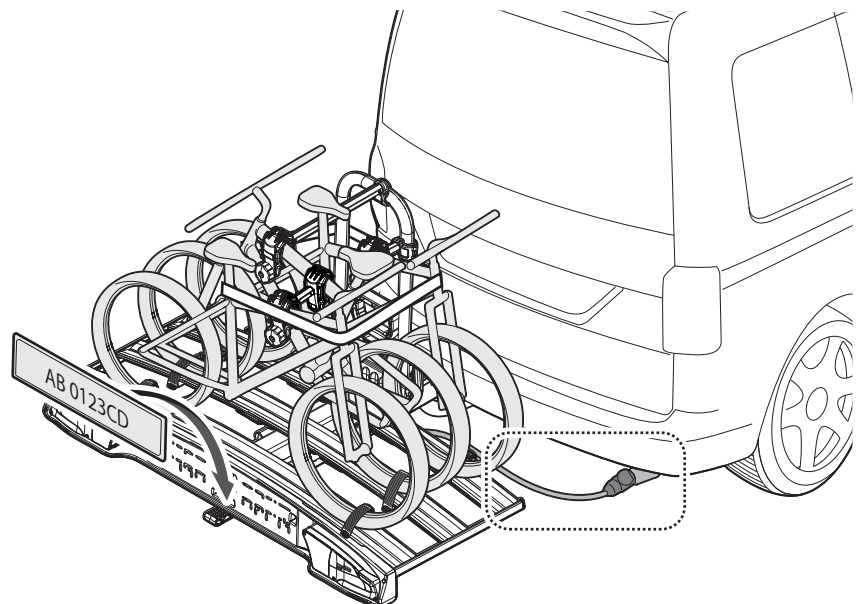
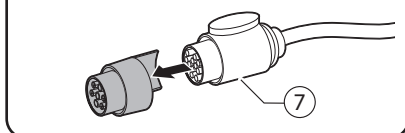
N		Q
8	 2,5 m - 8,2ft	1

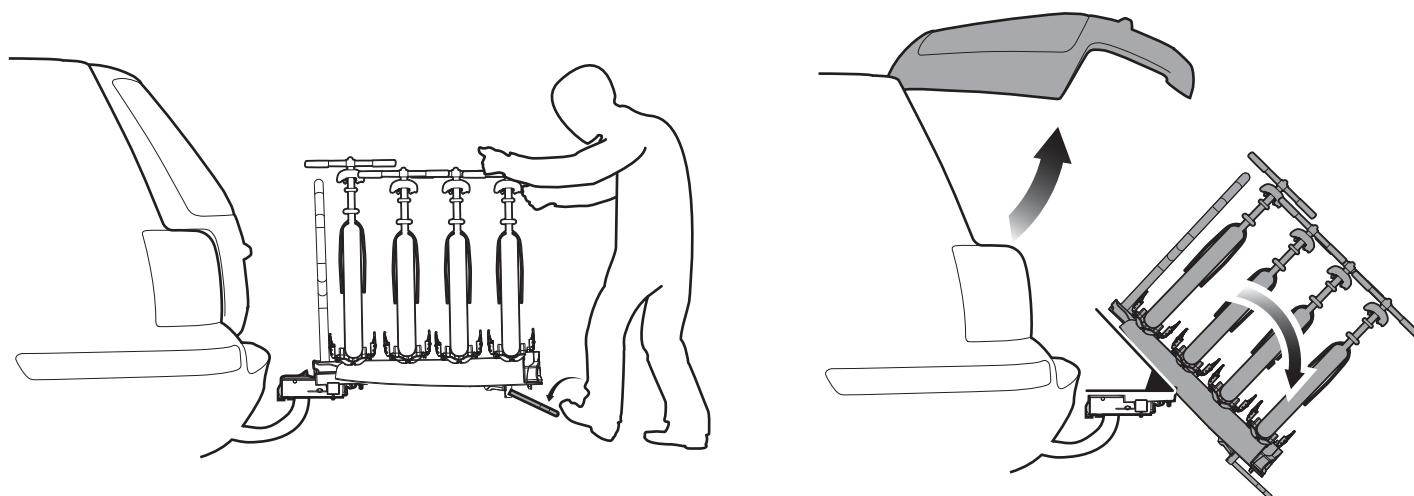


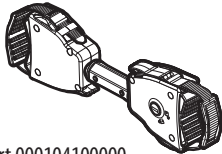
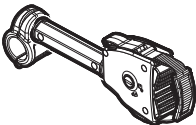
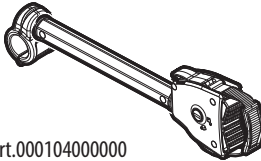
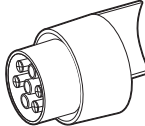
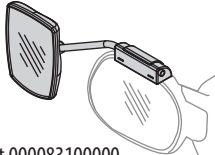

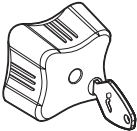
10 — ALCOR 2 / ALCOR 3 / ALCOR 4 / ACRUX 2 / ACRUX 3 / ACRUX 4



OPTIONAL cod.70001640000



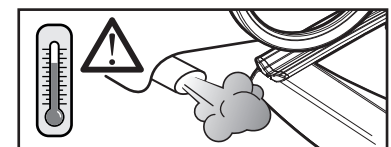
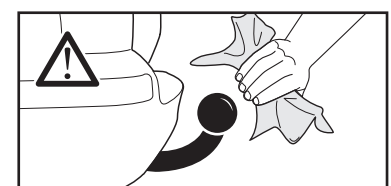
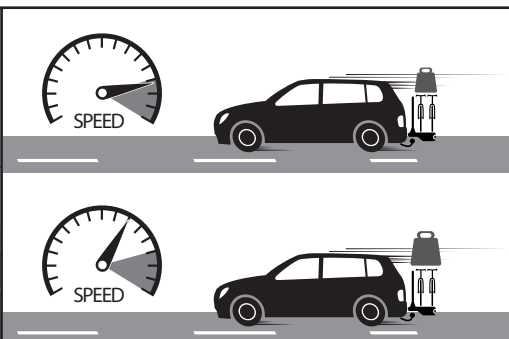
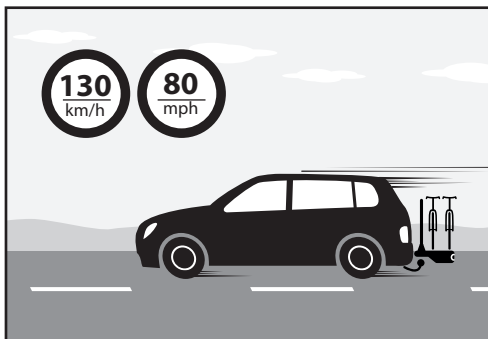
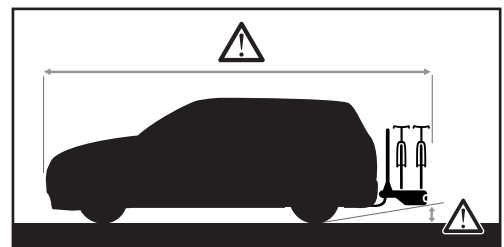
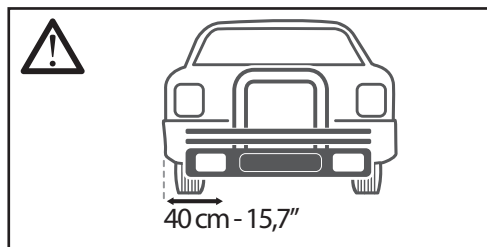


OPTIONAL			
<p>BRACCETTO DOPPIO</p>  <p>Art.000104100000</p>	<p>BRACCETTO CORTO</p>  <p>Art.000103900000</p>	<p>BRACCETTO LUNGO</p>  <p>Art.000104000000</p>	<p>ADATTATORE 7 PIN</p>  <p>Art.700016400000</p>
<p>EVIDENCE MIRROR</p>  <p>Art.000083100000</p>	<p>RAMPA</p>  <p>Art.000082100000</p>	<p>POMELLO ANTIFURTO</p>  <p>Art.000026400000</p>	

MAX 94/20/CE STANDARD	 Alcor 2 / Acrux 2	Standard/E-bike x2 Fat bike MAX 30kg - 66,1lb	 	
		50 kg - 110,2lb		33,8 kg - 72,7lb
		60 kg - 132,3lb		43,8 kg - 94,8lb
		70 kg - 154,3lb		53,8 kg - 117lb
		80 kg - 176,4lb		60 kg - 132,3lb
		>80 kg - 176,4lb		60 kg - 132,3lb

MAX 94/20/CE STANDARD	 Alcor 3 / Acrux 3	Standard x3 MAX 20kg - 44,1lb	E-bike / Fat bike x2 MAX 30kg - 66,1lb	
		50 kg - 110,2lb	32 kg - 70,5lb	
		60 kg - 132,3lb	42 kg - 92,6lb	
		70 kg - 154,3lb	52 kg - 114,6lb	
		80 kg - 176,4lb	60 kg - 132,2lb	
		>80 kg - 176,4lb	60 kg - 132,2lb	

MAX 94/20/CE STANDARD	 Alcor 4 / Acrux 4	Standard x4 MAX 15kg - 33lb	E-bike / Fat bike x2 MAX 30kg - 66,1lb	
		50 kg - 110,2lb	30,2 kg - 66,6lb	
		60 kg - 132,3lb	40,2 kg - 88,6lb	
		70 kg - 154,3lb	50,2 kg - 110,6lb	
		80 kg - 176,4lb	60 kg - 132,2lb	
		>80 kg - 176,4lb	60 kg - 132,2lb	



F.lli Menabò S.r.l.
Via 8 Marzo, 3
42025 Cavriago (RE) Italy
Tel. +39-0522/942840
Fax. +39-0522/942948
e-mail: info@flli-menabo.it
www.flli-menabo.it

Cod.Istr.	Data	Creato da	Approvato da
500031400000	13/11/2019	NP	EL