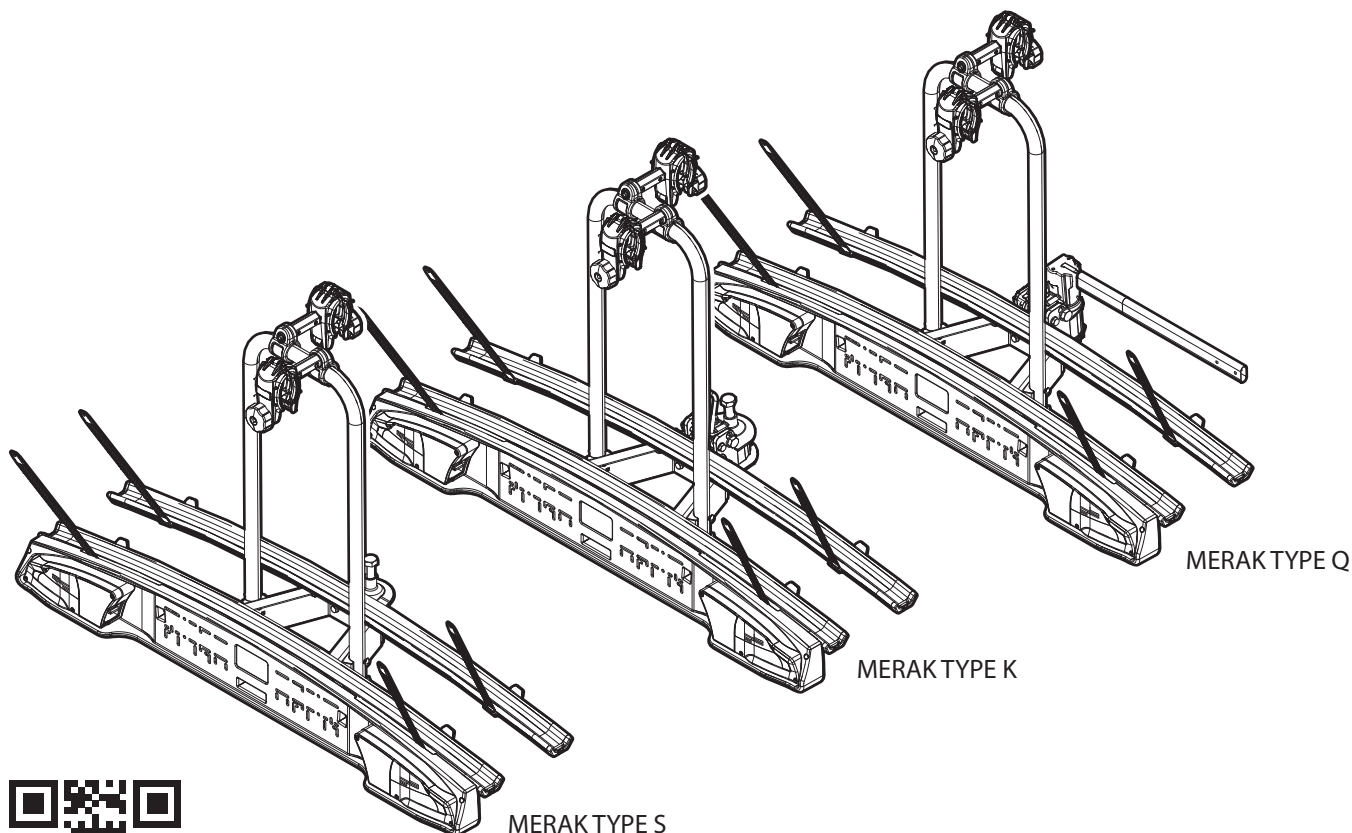


# MENABO

free time on the move

## MERAK

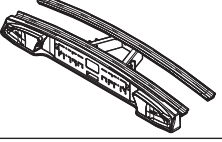

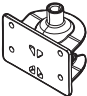
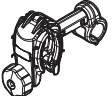
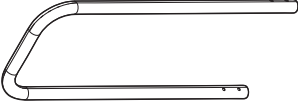




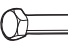








IT	Istruzioni di montaggio	LV	Pritvirtinimo instrukcijas
EN	Fitting instructions	NL	Instrukcja montażu
DE	Montageanleitung	NO	Monteringsveiledning
FR	Instructions de montage	PL	Instrukcja montażu
ES	Instrucciones de montaje	PT	Instruções de Montagem
CS	Návod na montáž	RO	Instrucțiuni de montare
DA	Monteringsvejledning	RU	Инструкции по установке
EL	Οδηγίες συναρμολόγησης	SK	Návod na montáž
ET	Paigaldusjuhend	SL	Navodila za pritrjevanje
FI	Asennusohje	SV	Monteringsanvisning
HR	Uputa za sastavljanje	TK	Uydurma talimat
HU	A felszerelés módja	ZH	裝修指導
LT	Stiprināšanas instrukcija	AR	تعليمات التجميل




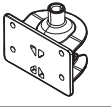


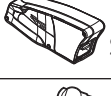




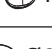
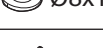






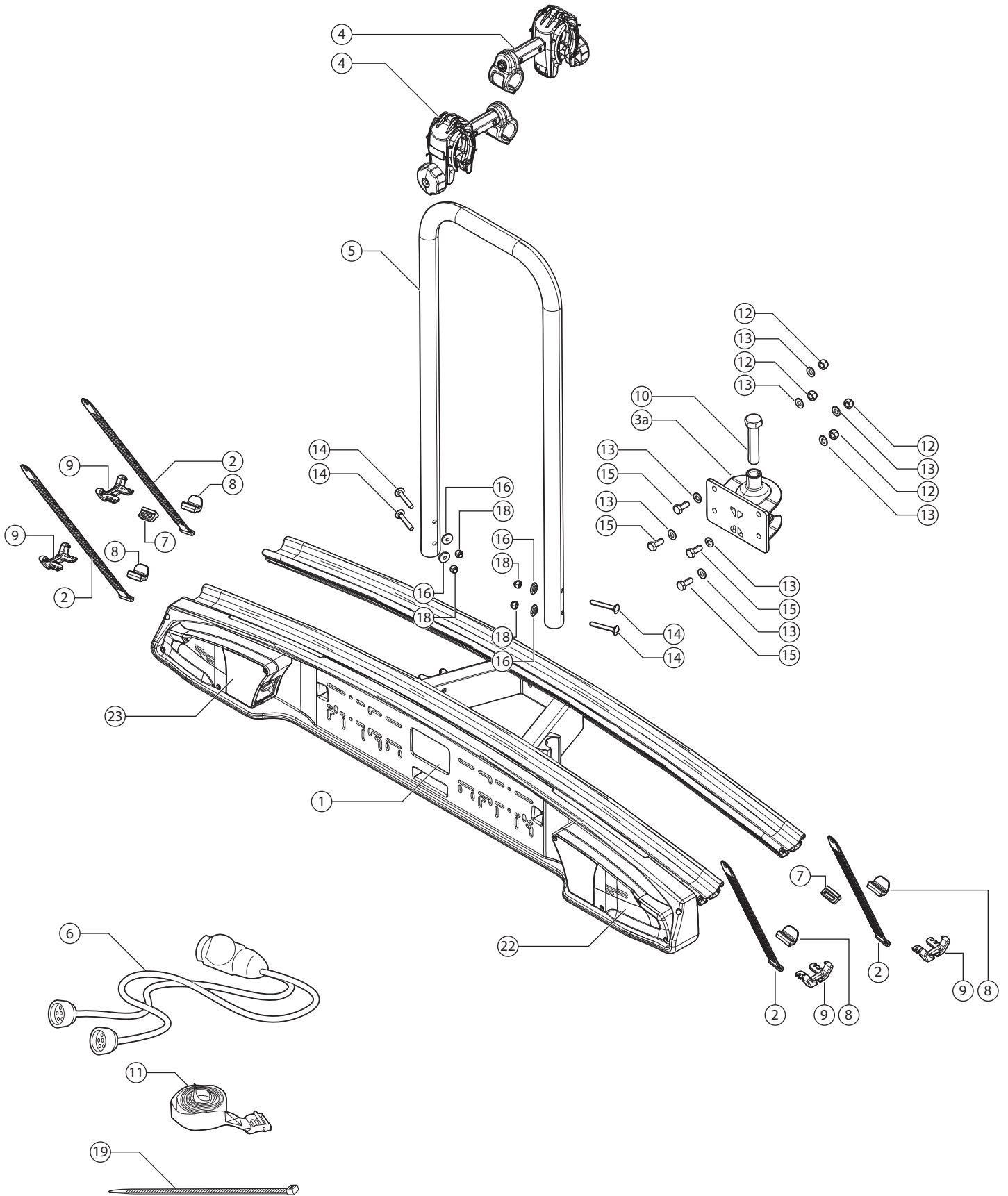
Made in Italy



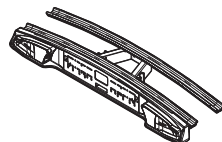

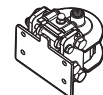
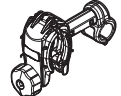








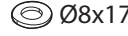






# MERAK TYPE S




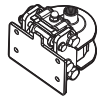

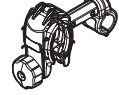







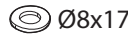





N.	(IT)Componenti (Inclusi) (EN)Components (Included) (FR)Composants (Comprises) (DE)Die Komponenten (im Lieferumfang enthalten) (ES)Componentes (Incluido)	Q.
1		1
2		4
3a		1
4		2
5		1
6		1
7		2
8		4
9		4
10	 M16x70	1
11	 2,5m / 8ft	1
12	 M8	4
13	 Ø8x17	8
14	 M6x45	4
15	 M8x20	4
16		4
18	 M6	4
19		2

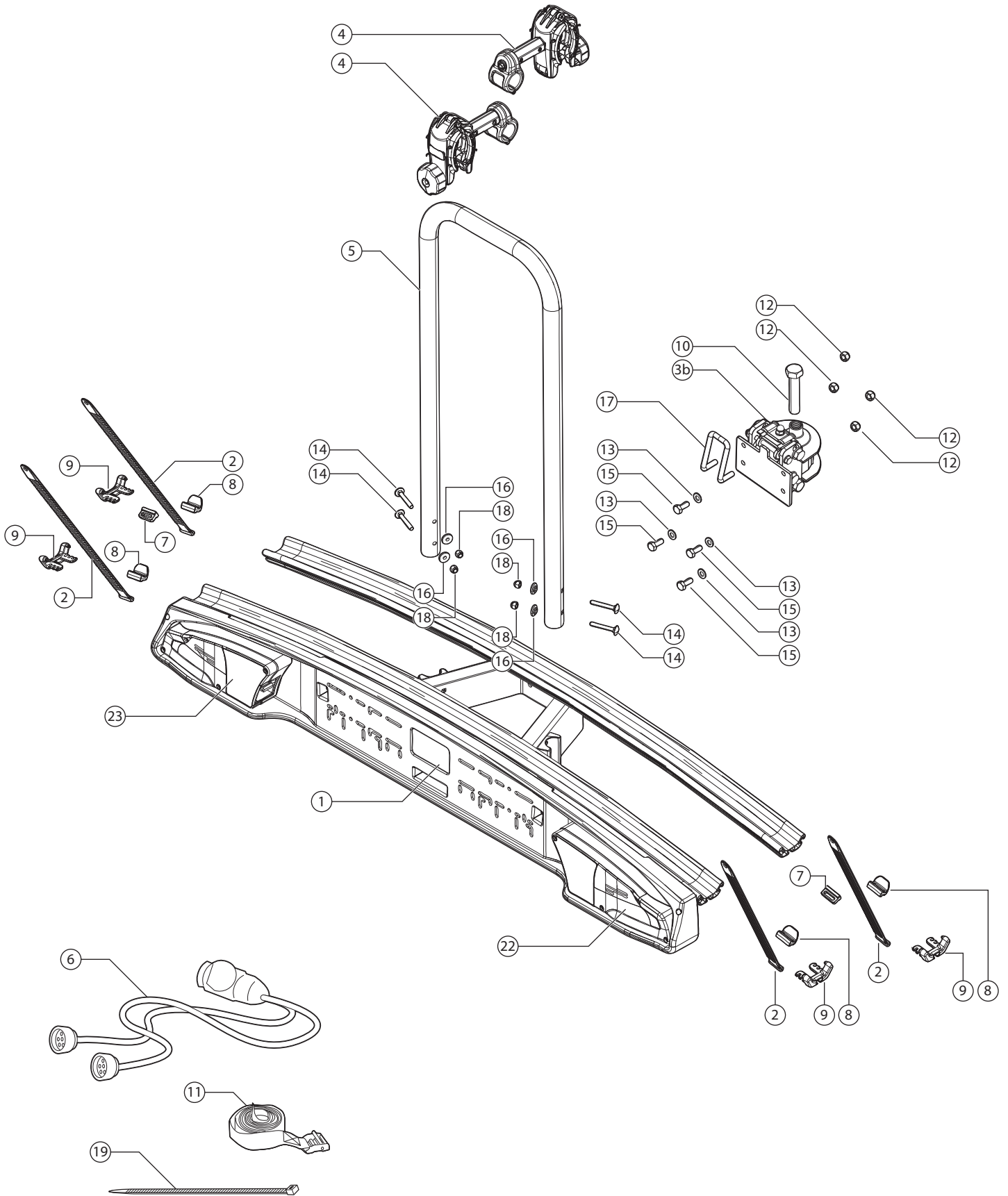
N.	(IT)Ricambi (A Richiesta) (EN)Spare Parts (Made to order) (FR)Pièces de rechange (Sur commande) (DE)E Teile (auf Anfrage) (ES)Piezas de recambio (Previa solicitud)	Q.	Codice-Code-Código
2		1	700003800000
7		2	
8		1	
3a		1	700003000000
4		1	700003200000
22	 DX	1	700033700000
23	 SX	1	700033800000
6		1	700033600000
9		2	700003900000
10	 M16x70	1	700004100000
11	 2,5m / 8ft	1	700001100000
12	 M8	4	700037000000
13	 Ø8x17	8	
14	 M6x45	4	
15	 M8x20	4	
16		4	
18	 M6	4	



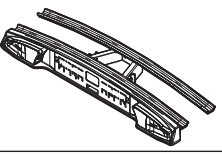

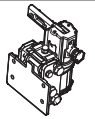
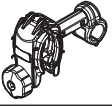














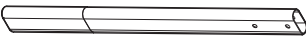
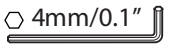
# MERAK TYPE K




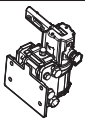


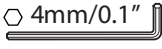
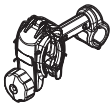


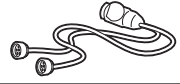



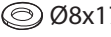





N.	(IT)Componenti (Inclusi) (EN)Components (Included) (FR)Composants (Comprises) (DE)Die Komponenten (im Lieferumfang enthalten) (ES)Componentes (Incluido)	Q.
1		1
2		4
3b		1
4		2
5		1
6		1
7		2
8		4
9		4
10	 M16x70	1
11	 2,5m / 8ft	1
12	 M8	4
13	 Ø8x17	4
14	 M6x45	4
15	 M8x20	4
16		4
17		1
18	 M6	4
19		2

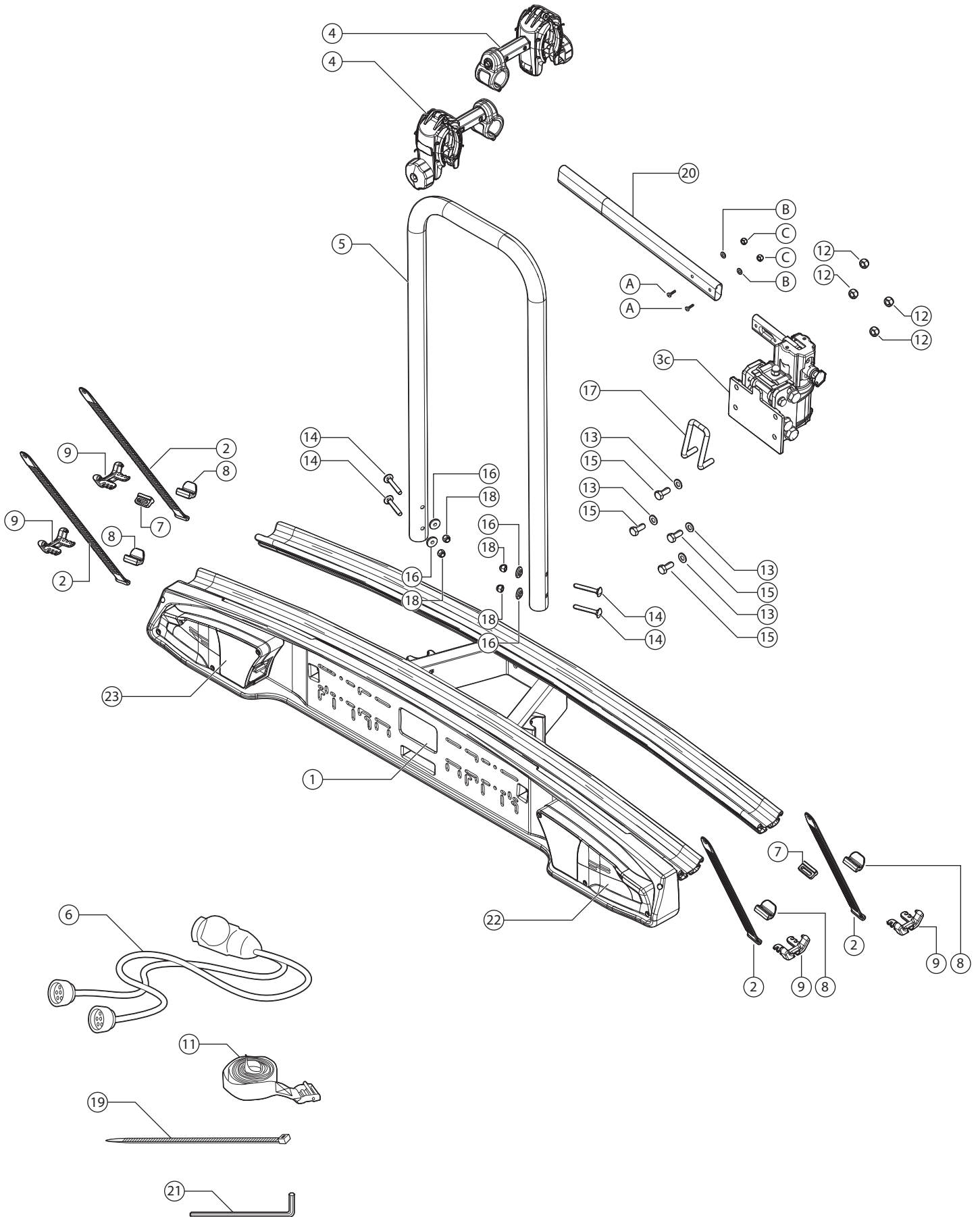
N.	(IT)Ricambi (A Richiesta) (EN)Spare Parts (Made to order) (FR)Pièces de rechange (Sur commande) (DE)Teile (auf Anfrage) (ES)Piezas de recambio (Previa solicitud)	Q.	Codice-Code-Código
2		1	70003800000
7		2	
8		1	
3b		1	70001150000
17		1	
4		1	700003200000
22	 DX	1	700033700000
23	 SX	1	700033800000
6		1	700033600000
9		1	700003900000
10	 M16x70	1	700004100000
11	 2,5m / 8ft	1	700001100000
12	 M8	4	700037000000
13	 Ø8x17	8	
14	 M6x45	4	
15	 M8x20	4	
16		4	
18	 M6	4	
17		1	





# MERAK TYPE Q

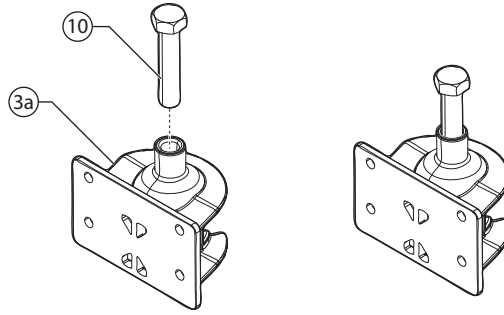
N.	(IT)Componenti (Inclusi) (EN)Components (Included) (FR)Composants (Comprises) (DE)Die Komponenten (im Lieferumfang enthalten) (ES)Componentes (Incluido)	Q.
1		1
2		4
3c		1
4		2
5		1
6		1
7		2
8		4
9		4
11	 2,5m / 8ft	1
12	 M8	4
13	 Ø8x17	4
14	 M6x45	4
15	 M8x20	4
16		4
17		1
18	 M6	4
19		2
20		1
21	 4mm/0.1"	1

N.	(IT)Ricambi (A Richiesta) (EN)Spare Parts (Made to order) (FR)Pièces de rechange (Sur commande) (DE)E Teile (auf Anfrage) (ES)Piezas de recambio (Previa solicitud)	Q.	Codice-Code-Código
2		1	70003800000
7		2	
8		1	
3c		1	700011400000
17		1	
20		1	
21	 4mm/0.1"	1	
4		1	70003200000
22	 DX	1	700033700000
23	 SX	1	700033800000
6		1	700033600000
9		1	70003900000
11	 2,5m / 8ft	1	700001100000
12	 M8	4	700037000000
13	 Ø8x17	8	
14	 M6x45	4	
15	 M8x20	4	
16		4	
18	 M6	4	
17		1	700004300000






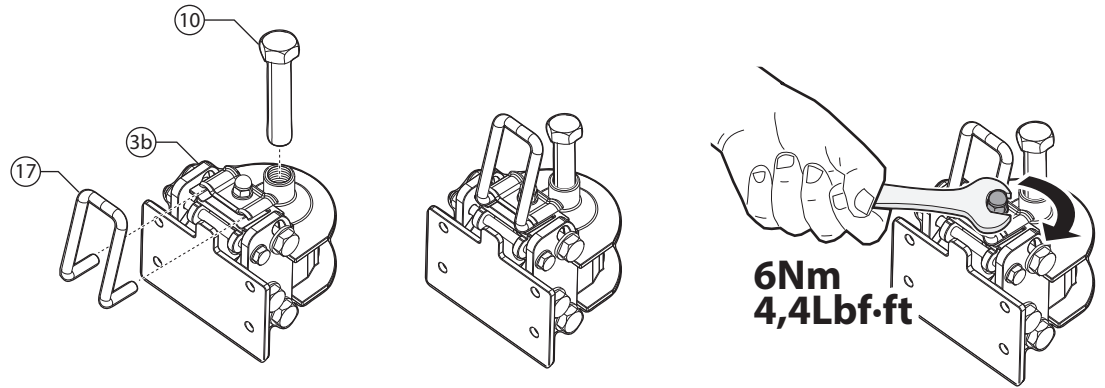
**TYPE S**

N.		Q.
3a		1
10	 M16x70	1



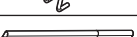





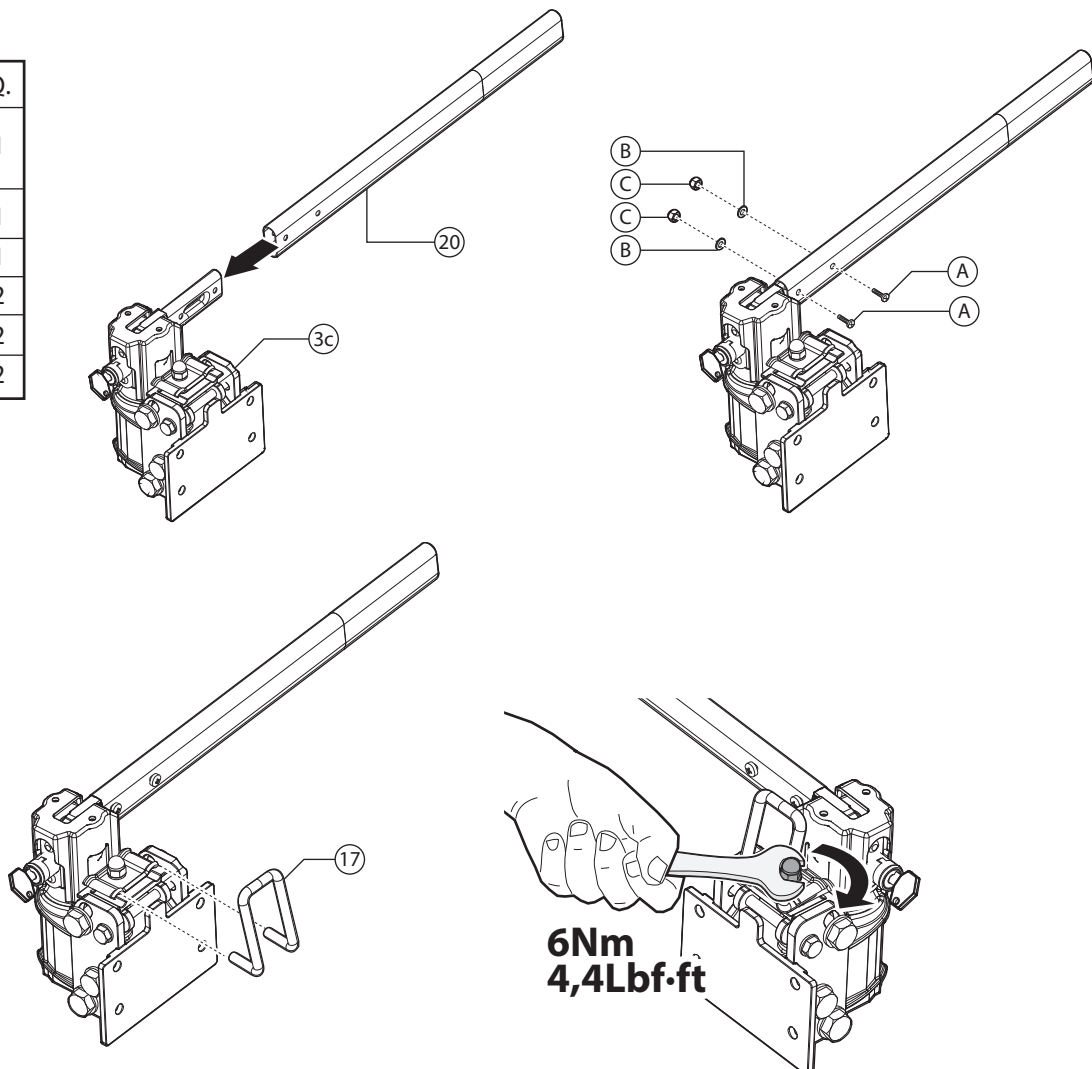
**TYPE K**

N.		Q.
3b		1
10	 M16x70	1
17		1



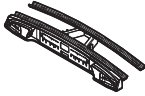



**TYPE Q**

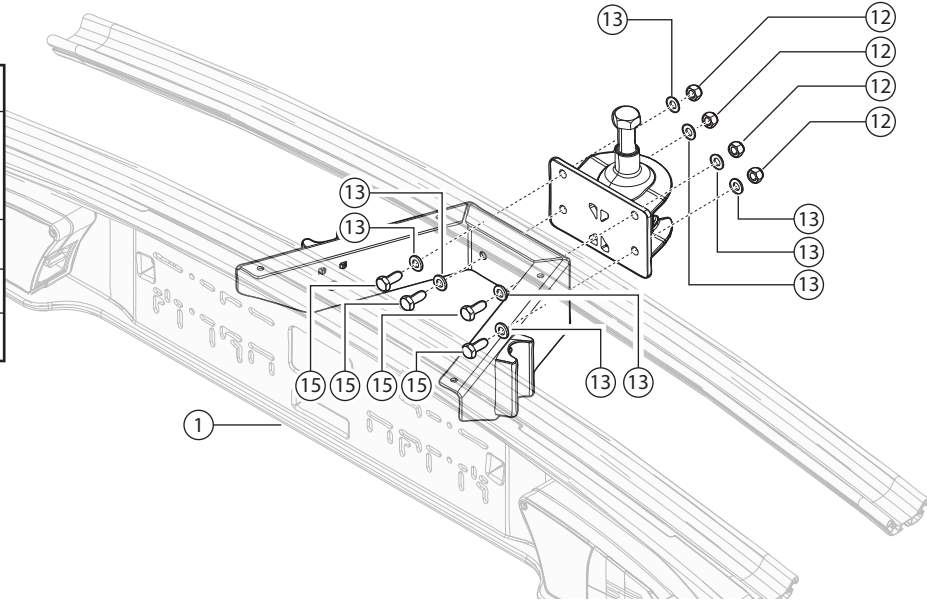
N.		Q.
3c		1
17		1
20		1
A		2
B		2
C		2



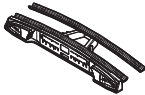





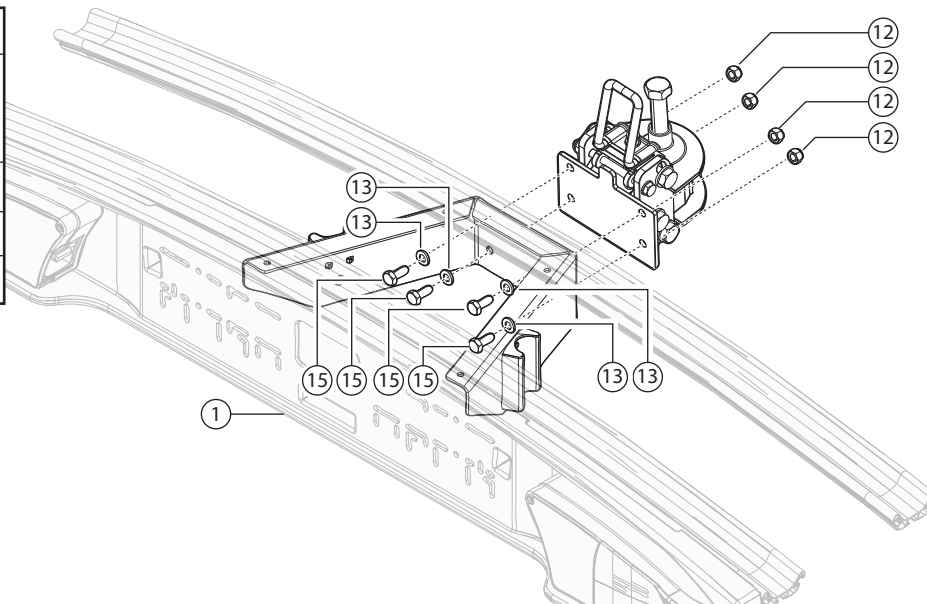
**TYPE S**

N.		Q.
1		1
12	 M8	4
13	 Ø8x17	8
15	 M8x20	4

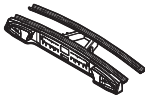





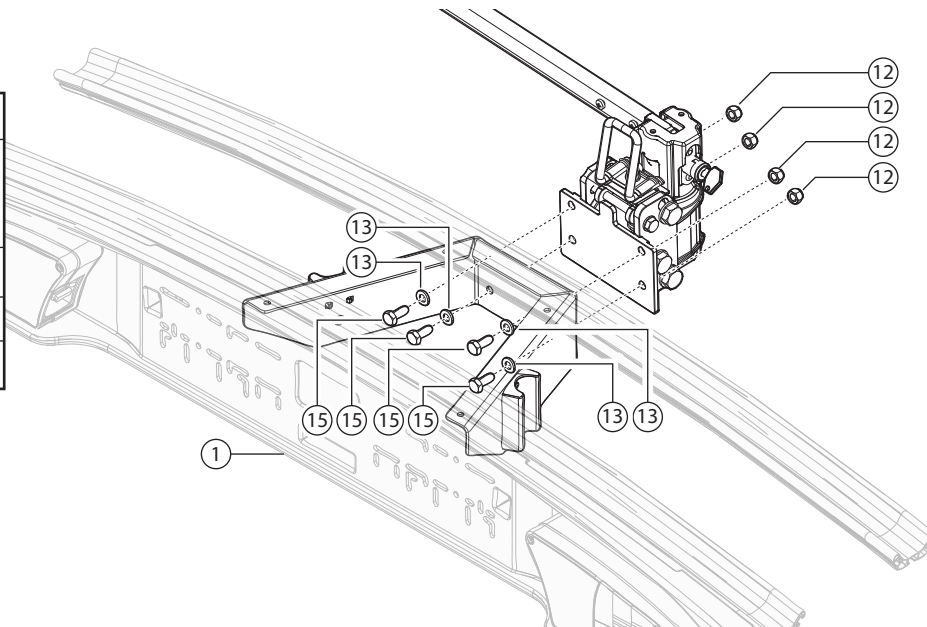
**TYPE K**

N.		Q.
1		1
12	 M8	4
13	 Ø8x17	4
15	 M8x20	4

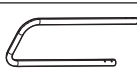

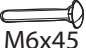



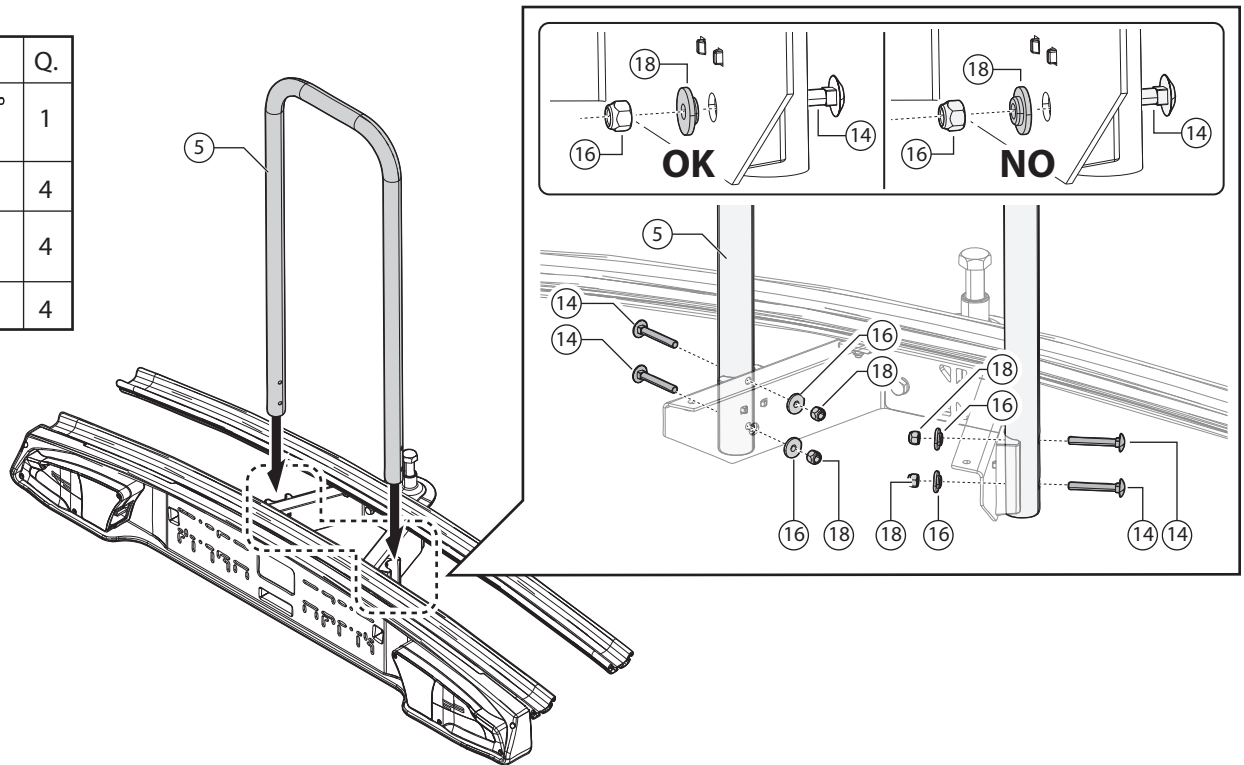
**TYPE Q**

N.		Q.
1		1
12	 M8	4
13	 Ø8x17	4
15	 M8x20	4





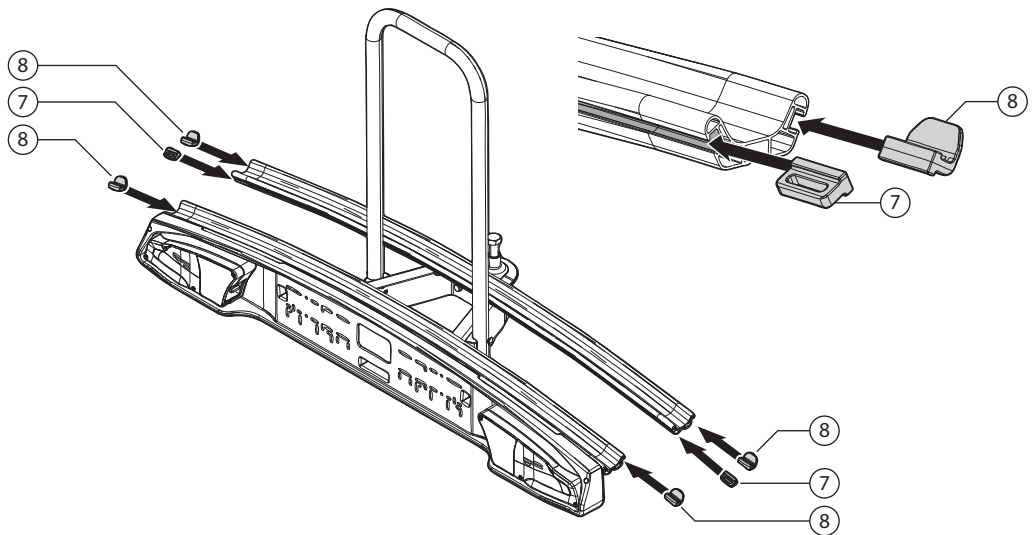
3—TYPE S / TYPE K / TYPE Q

N.		Q.
5		1
18		4
14		4
16		4




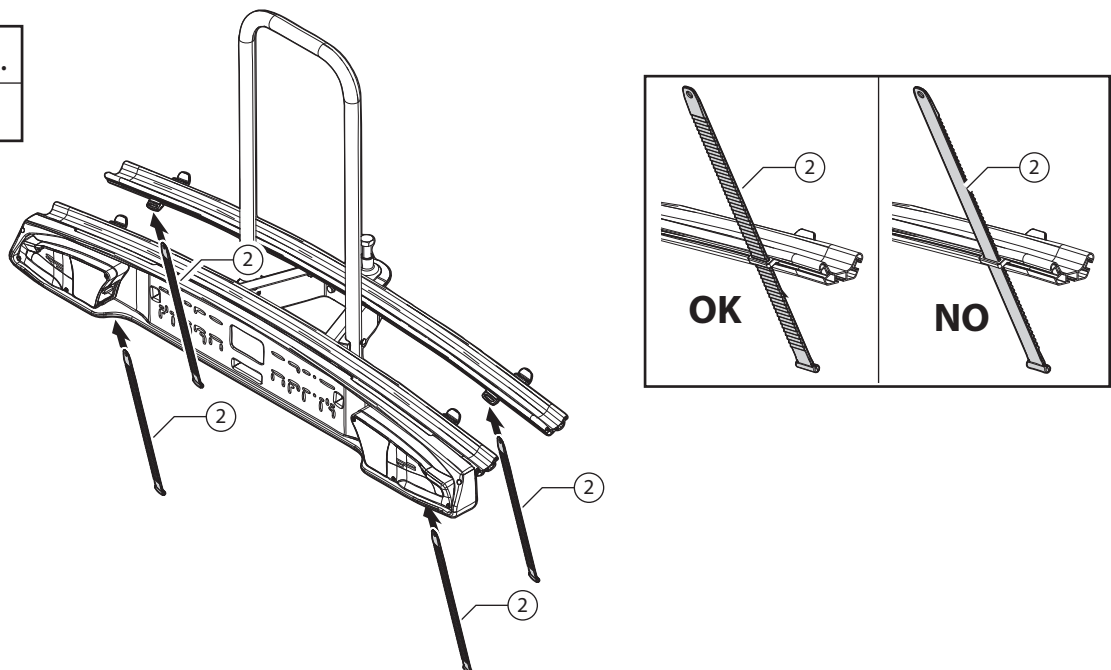
4—TYPE S / TYPE K / TYPE Q

N.		Q.
7		2
8		4




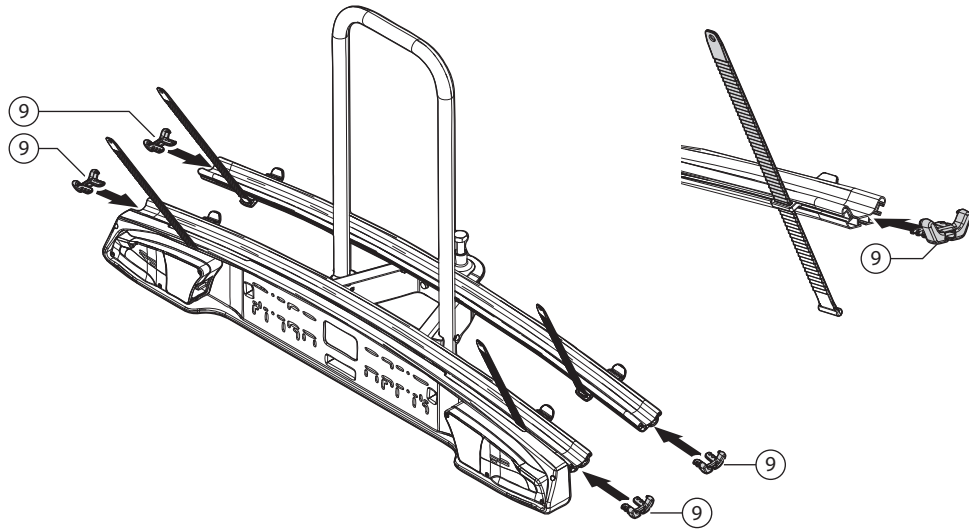
5—TYPE S / TYPE K / TYPE Q

N.		Q.
2		4

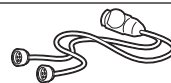


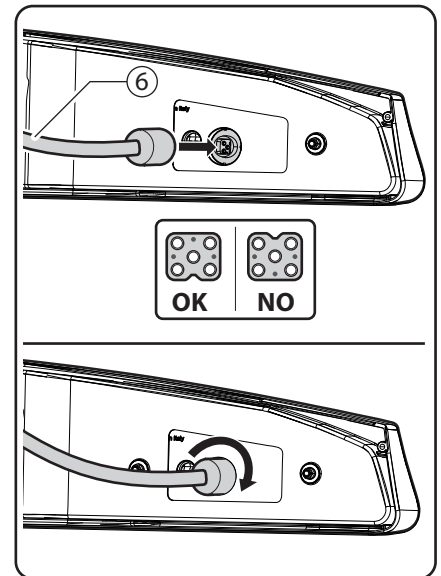
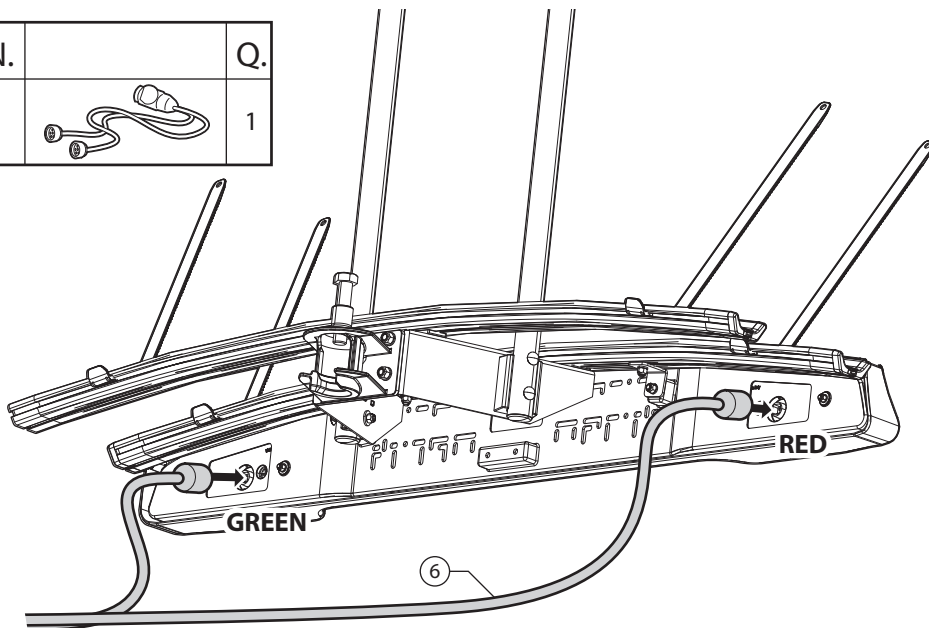
⑥—TYPE S / TYPE K / TYPE Q

N.		Q.
9		4

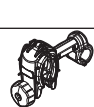



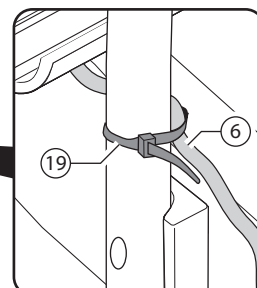
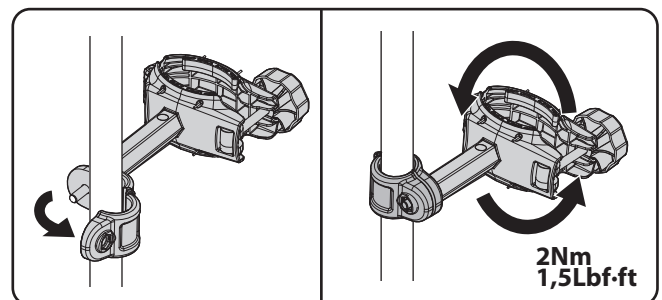
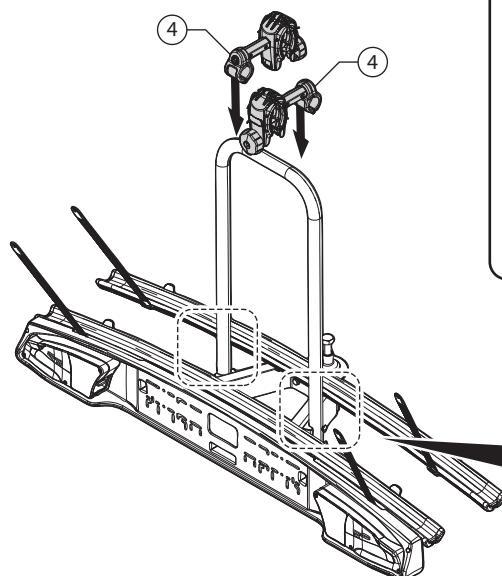
⑦—TYPE S / TYPE K / TYPE Q

N.		Q.
6		1

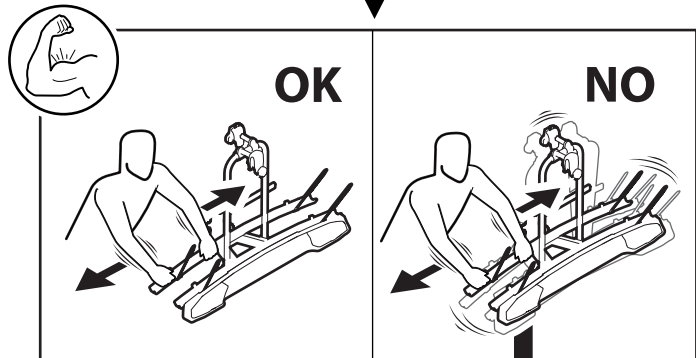
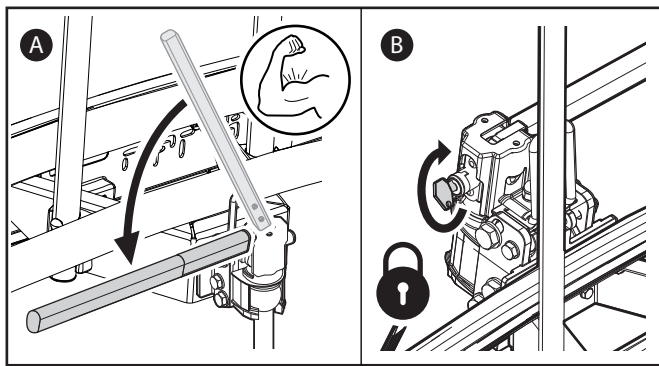
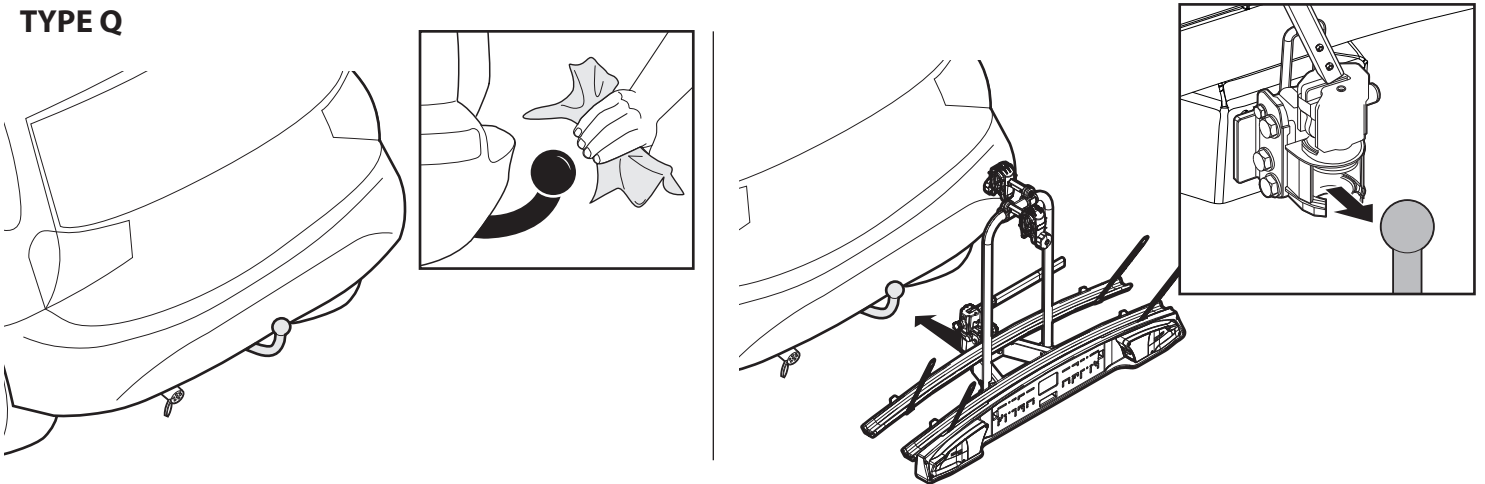


⑧—TYPE S / TYPE K / TYPE Q

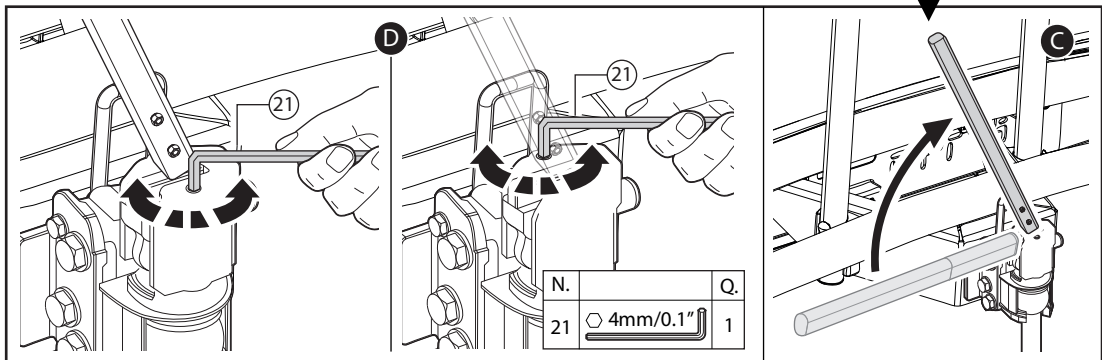
N.		Q.
4		2
19		2



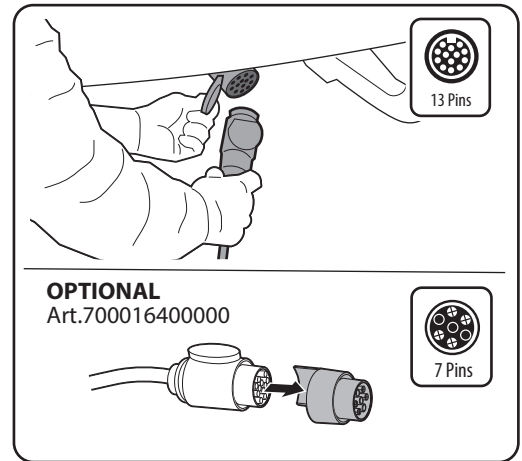
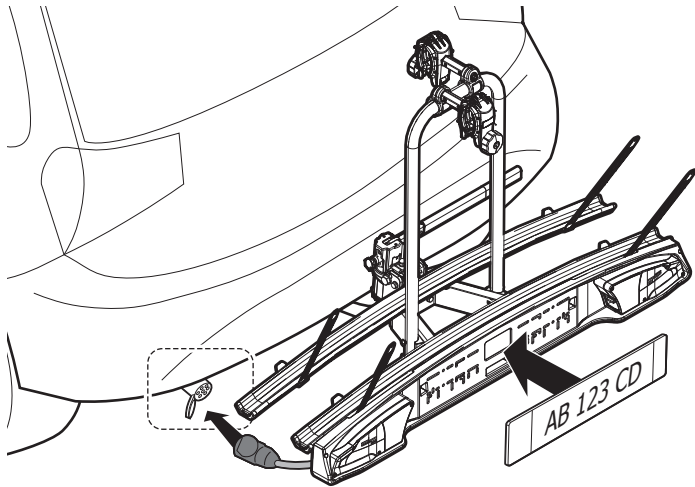
TYPE Q



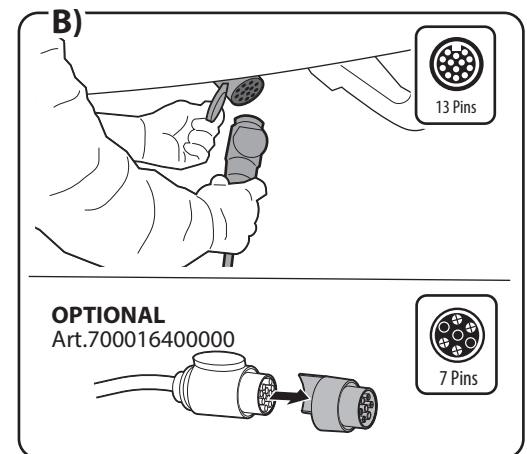
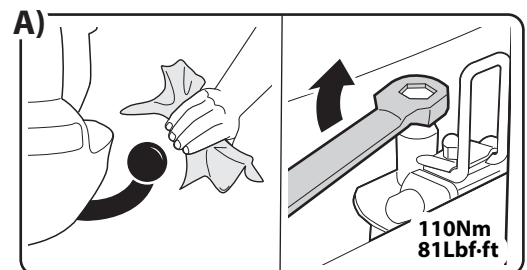
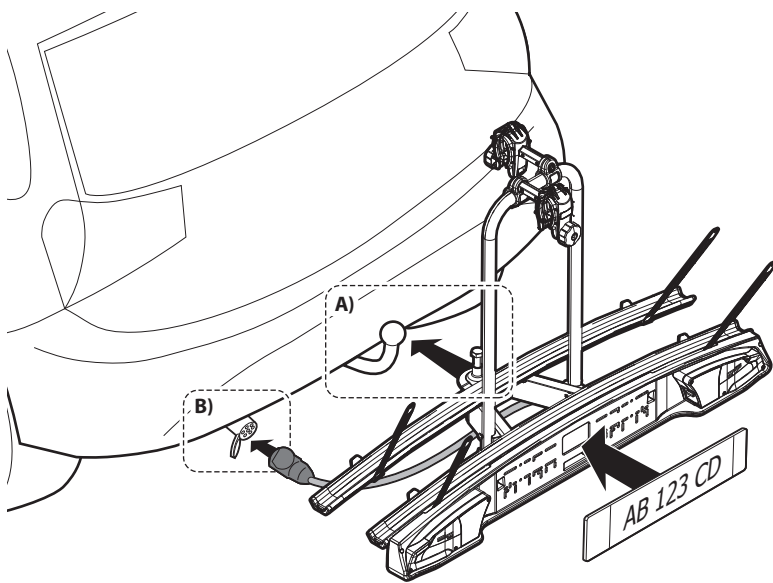
pag.13



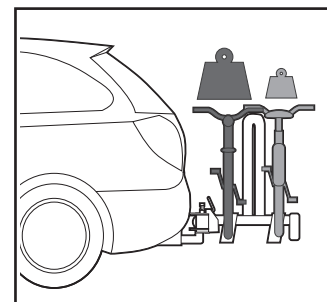
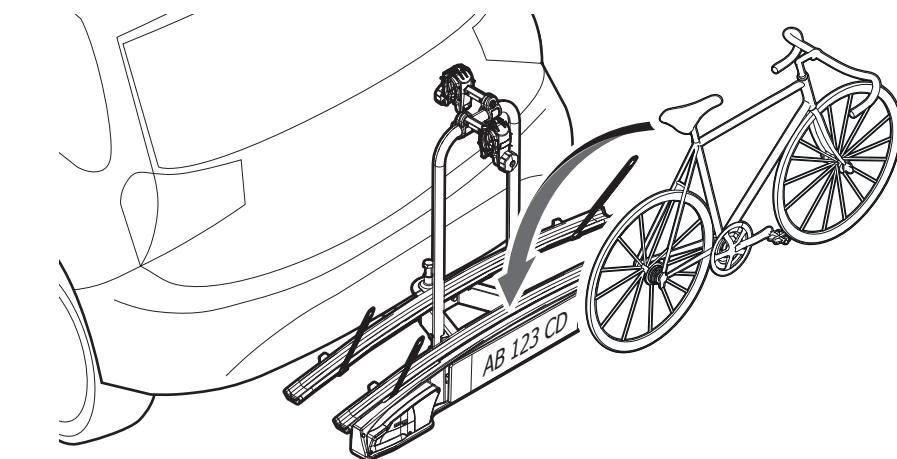
### TYPE Q



### TYPE S / TYPE K



### 10 TYPE S / TYPE K / TYPE Q



● **MIN** Ø30 mm / 1,2"  
**MAX** Ø50 mm / 2"  
● **MIN** 30x60 mm / 1,2"x2,4"  
**MAX** 50x70 mm / 2"x 2,7"



**MIN** 22"  
**MAX** 29"

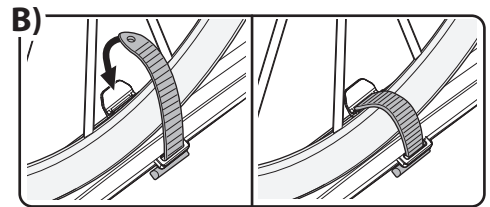
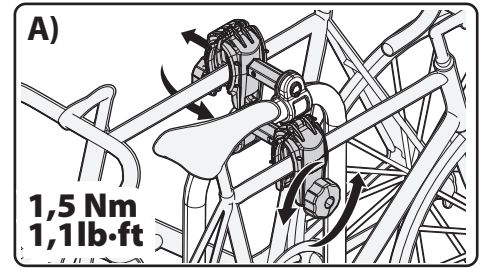
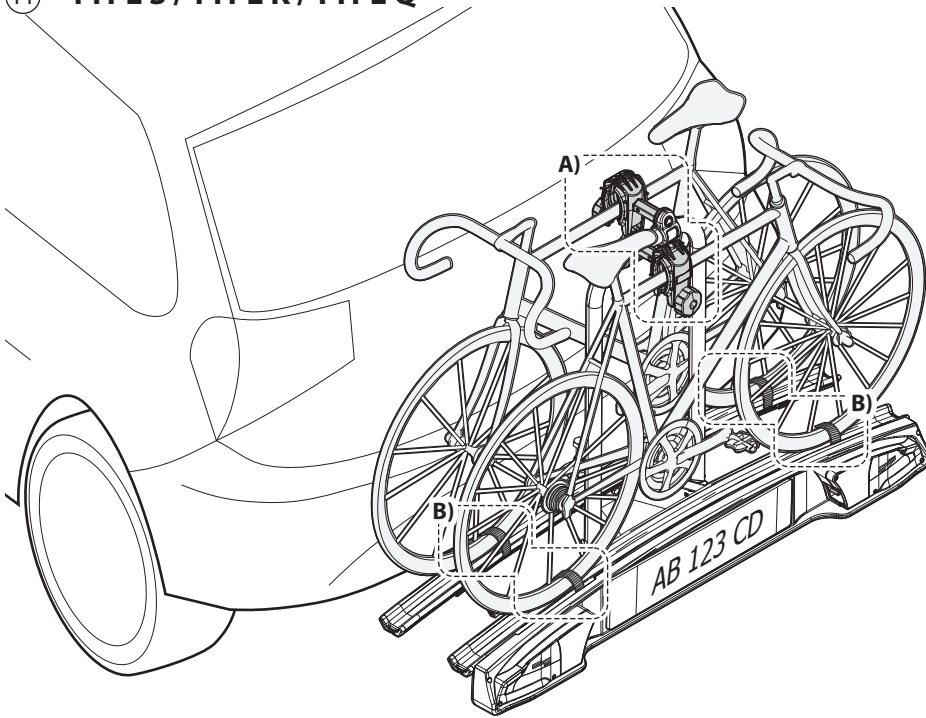


**MAX** 40mm / 1.6"




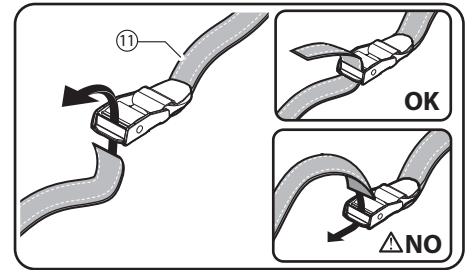
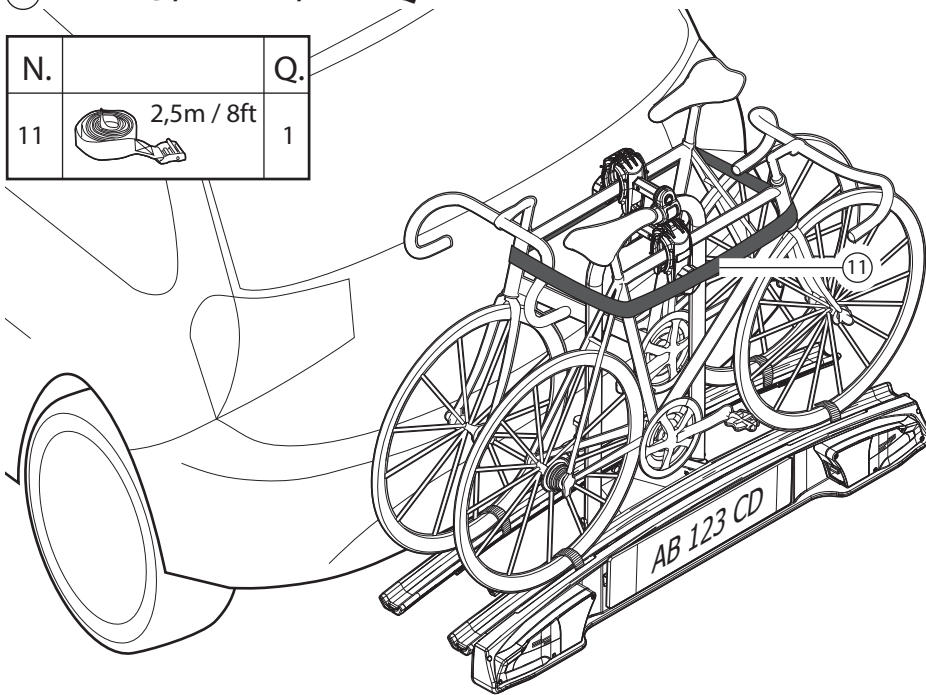
**MAX** 1260mm / 49,6"

11 TYPE S / TYPE K / TYPE Q

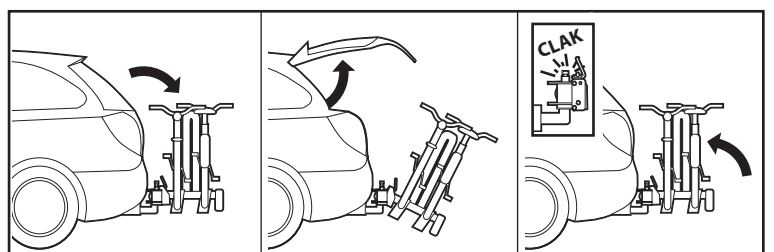
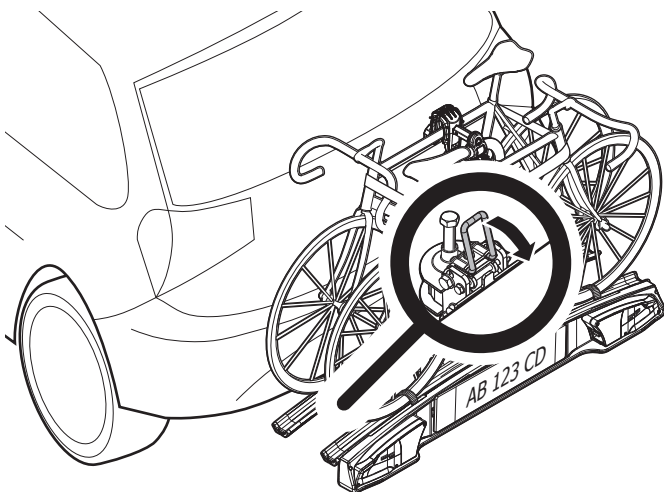


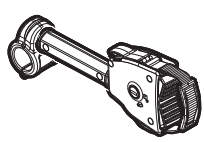
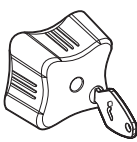
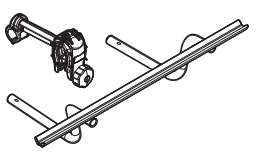
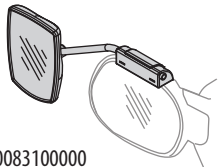
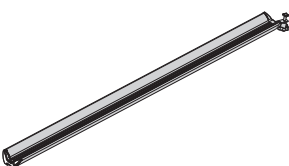
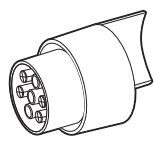
12 TYPE S / TYPE K / TYPE Q









N.		Q.
11	 2,5m / 8ft	1

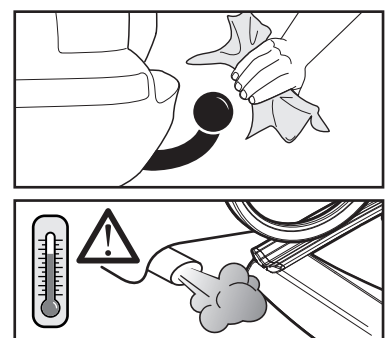
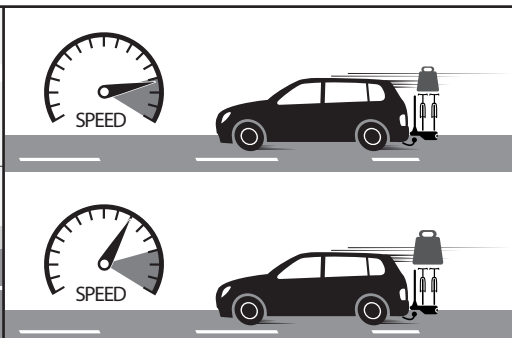
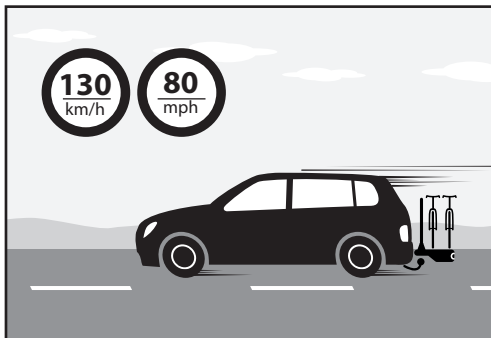
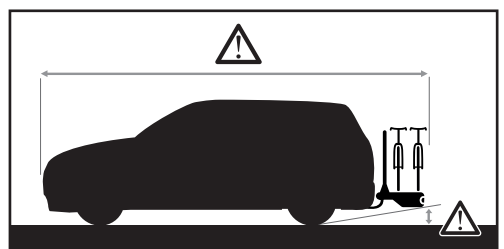
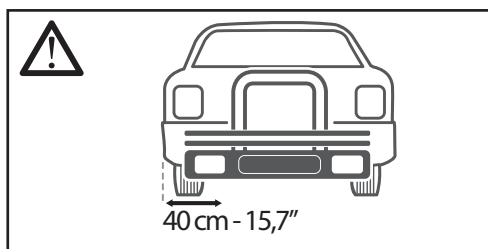


TYPE K / TYPE Q



OPTIONAL		
<b>BRACCETTO CORTO</b>  Art.000103900000	<b>POMELLO ANTIFURTO</b>  Art.000026400000	<b>KIT 2+1</b>  Art.000117800000
<b>EVIDENCE MIRROR</b>  Art.000083100000	<b>RAMPA</b>  Art.000082100000	<b>ADATTATORE 7 PIN</b>  Art.700016400000

<b>MAX</b>  94/20/CE STANDARD	 <b>Type S</b>		 <b>Type K</b>		 <b>Type Q</b>		Standard <b>x2</b>  MAX 15kg / 33lb	E-bike <b>x1</b> OR  MAX 30kg - 66lb	 Car Manual
	50 kg - 110,2lb 60 kg - 132,3lb 70 kg - 154,3lb 80 kg - 176,4lb >80 kg - 176,4lb	9,6 kg / 21lb	10,6 kg / 23.3lb	11,7 kg / 25.8lb	30kg / 66lb 30kg / 66lb 30kg / 66lb 30kg / 66lb 30kg / 66lb				



**F.lli Menabò S.r.l.**  
Via 8 Marzo, 3  
42025 Cavriago (RE) Italy  
Tel. +39-0522/942840  
Fax. +39-0522/942948  
e-mail: info@flli-menabo.it  
www.flli-menabo.it

Cod.Istr.	Data	Creato da	Approvato da
500034100000	29/10/2019	NP	EL