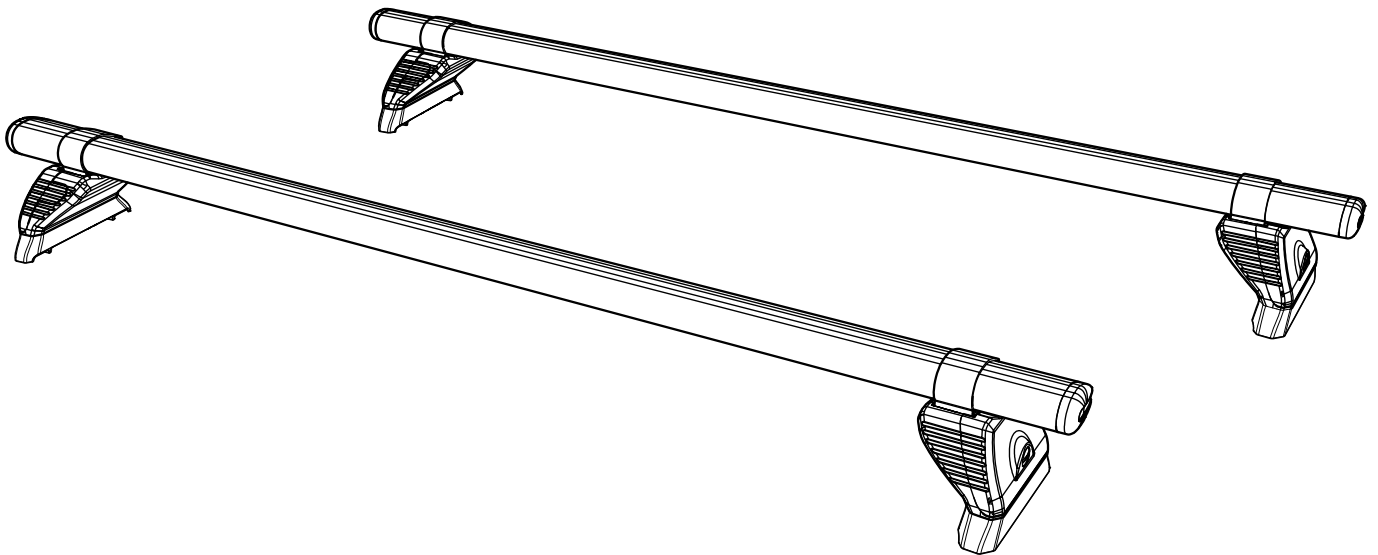


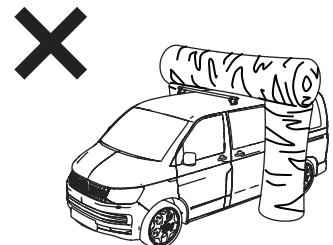
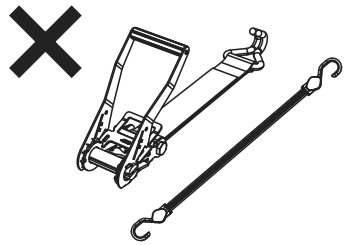
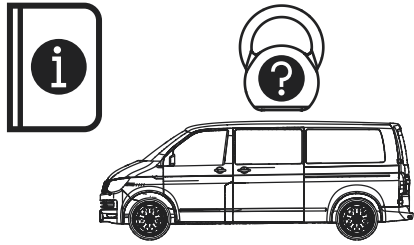
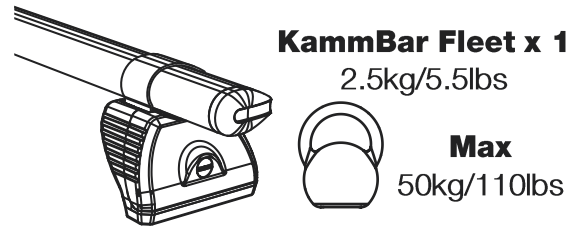
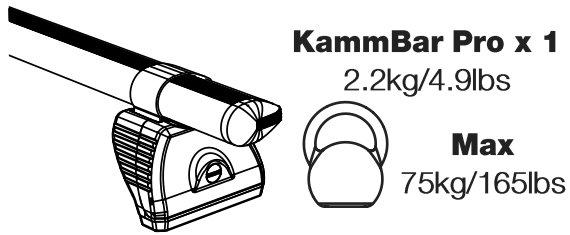
GC2PR/FL KammBar

Instructions

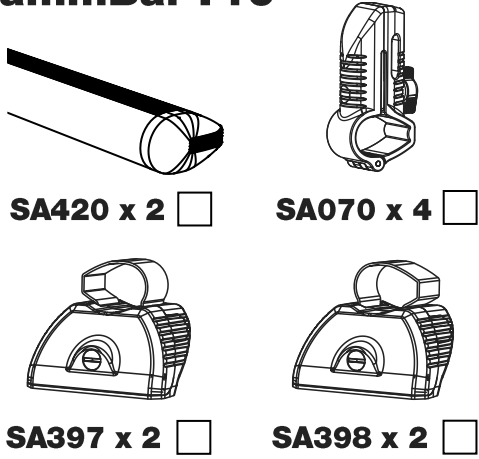


CITY CRASH (✓)

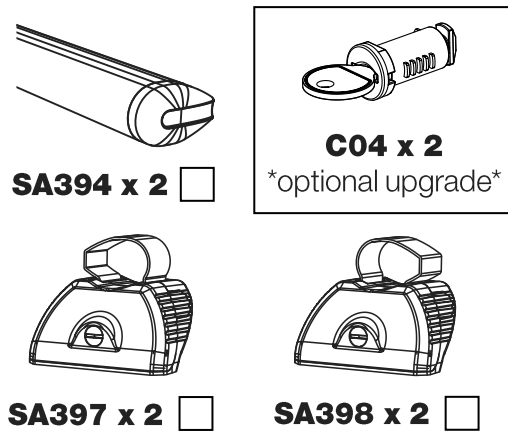
According to ISO/ PAS 11154:2006



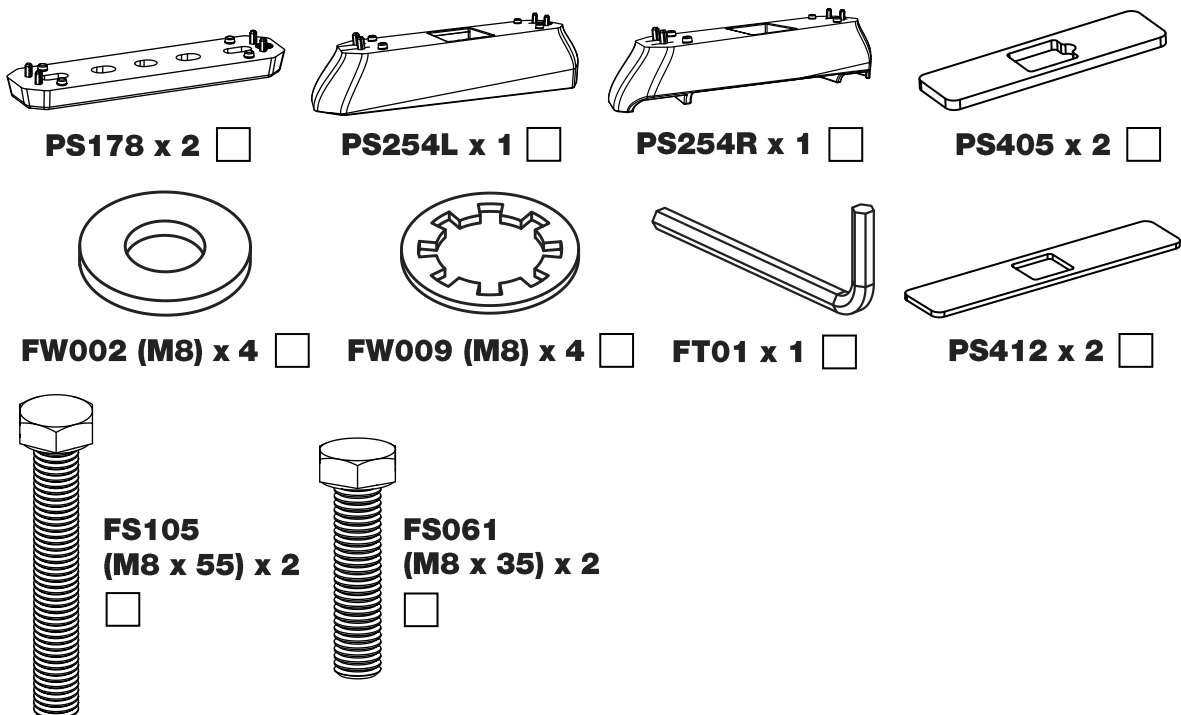
KammBar Pro



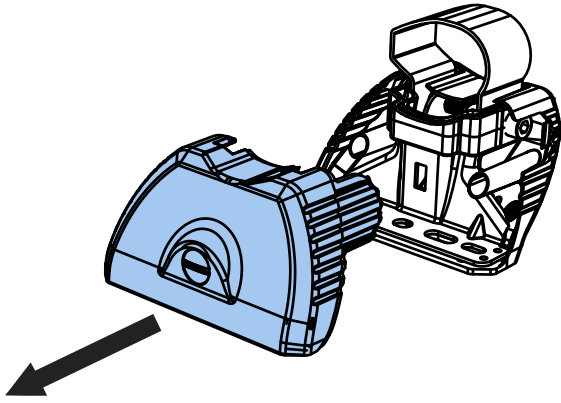
KammBar Fleet



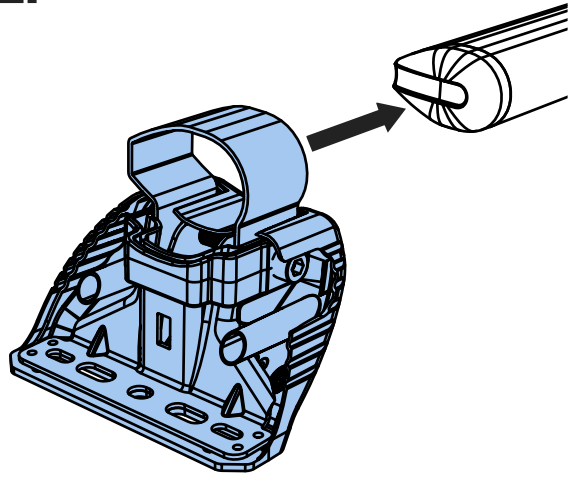
Fitting Kit



1.



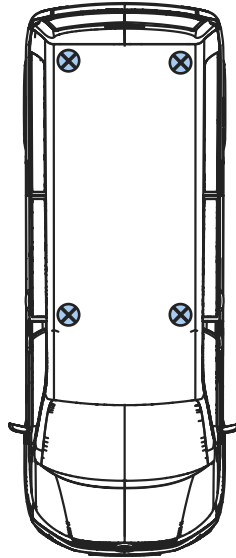
2.



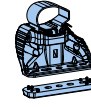
3.



SA397
PS178

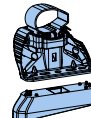


SA398
PS178

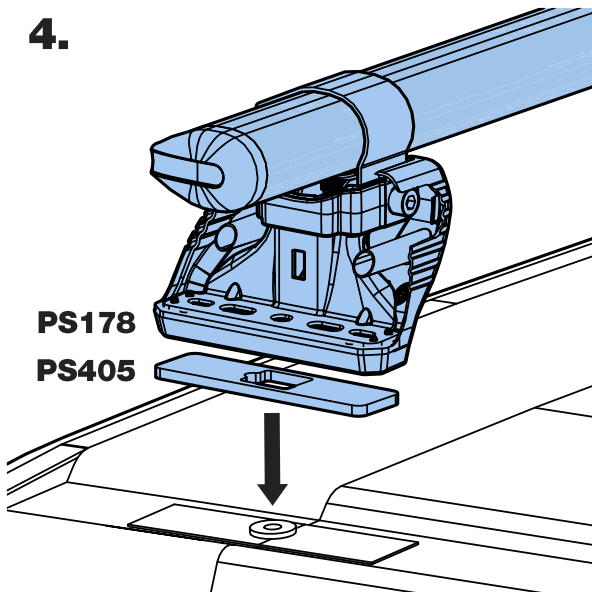


SA397
PS254L

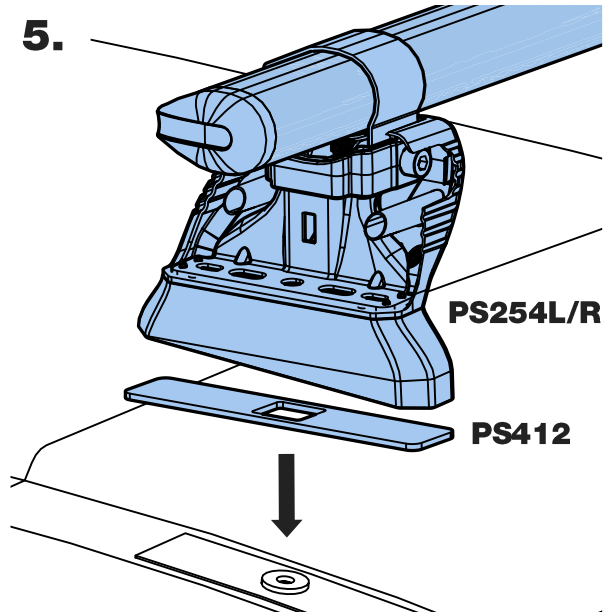
SA398
PS254R



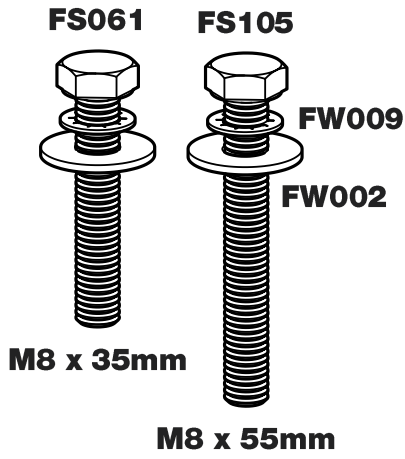
4.



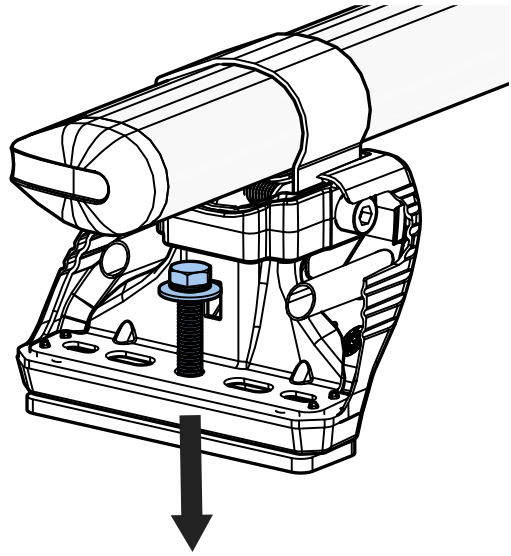
5.



6.

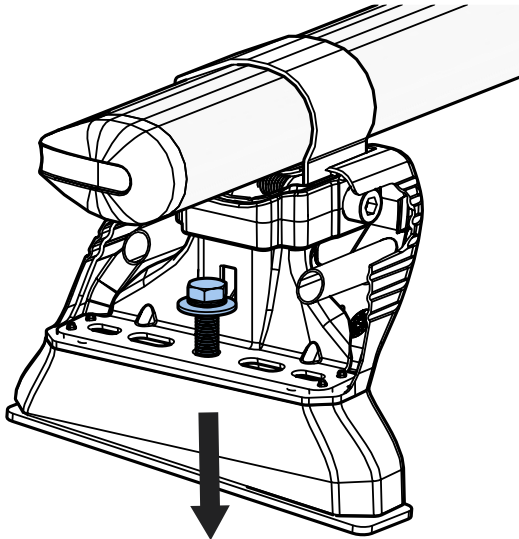


7.



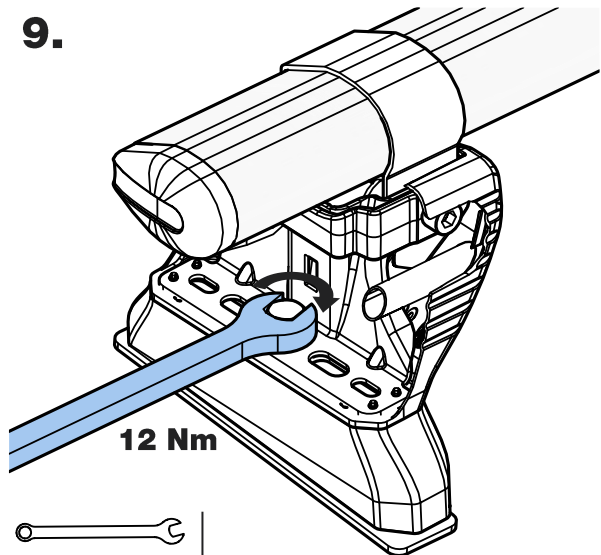
PS178 + M8 x 35mm

8.

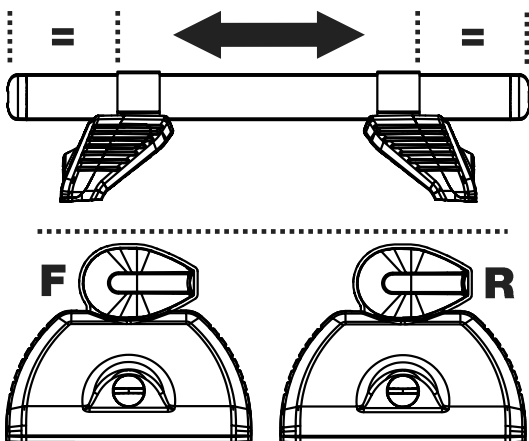


PS254L/R + M8 x 55mm

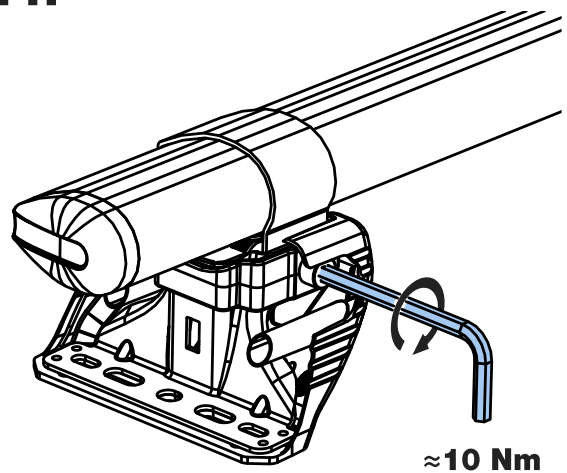
9.



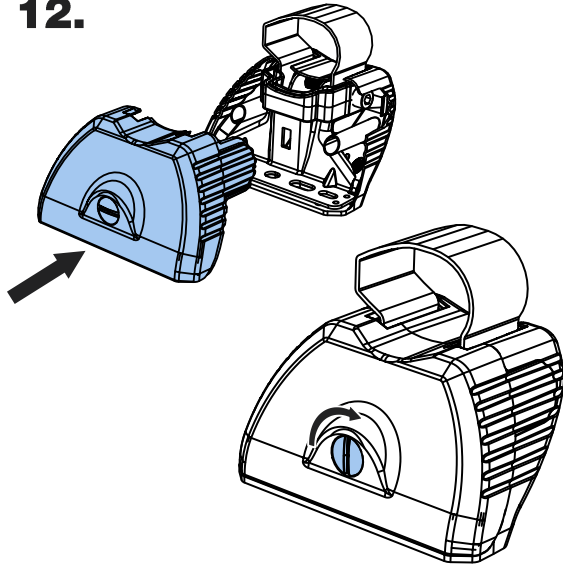
10.



11.



12.



13.

