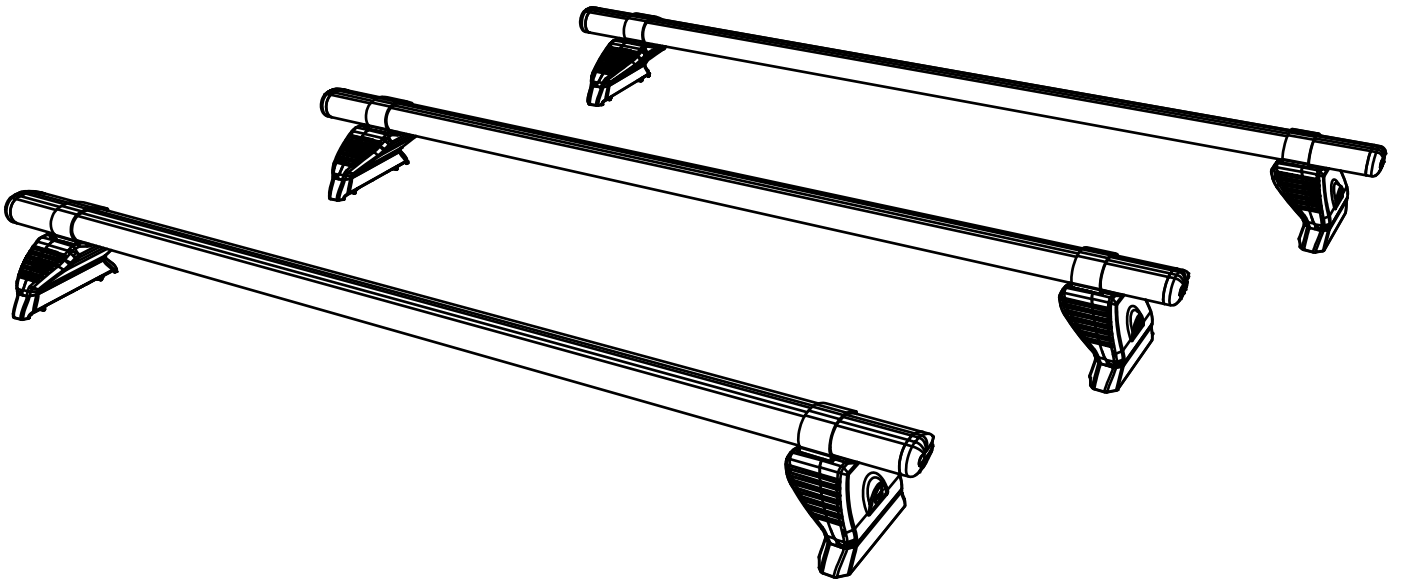
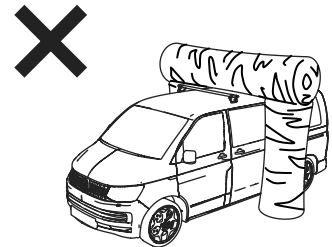
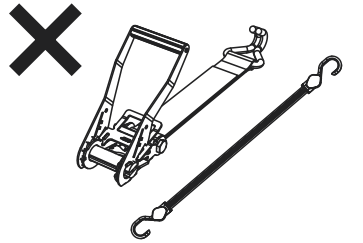
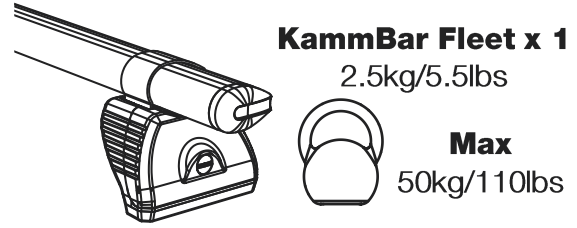
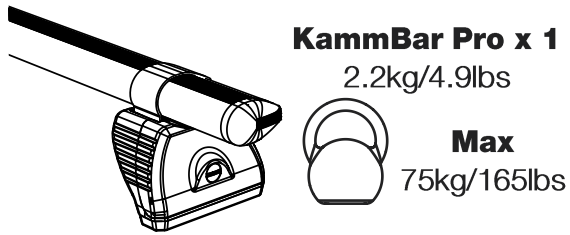


IA3PR/FL KammBar Instructions

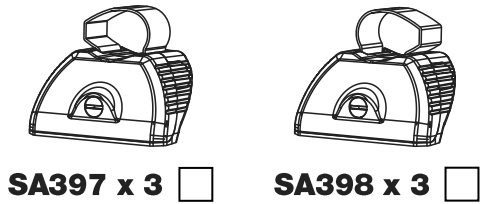
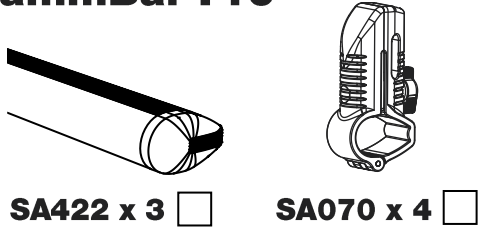


CITY CRASH (✓)

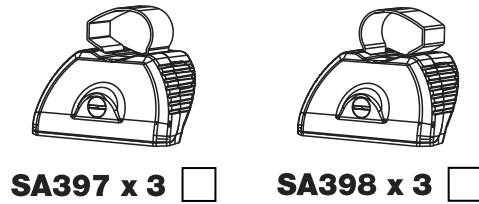
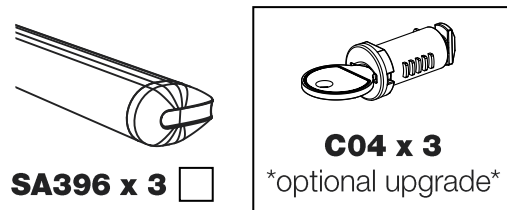
According to ISO/ PAS 11154:2006



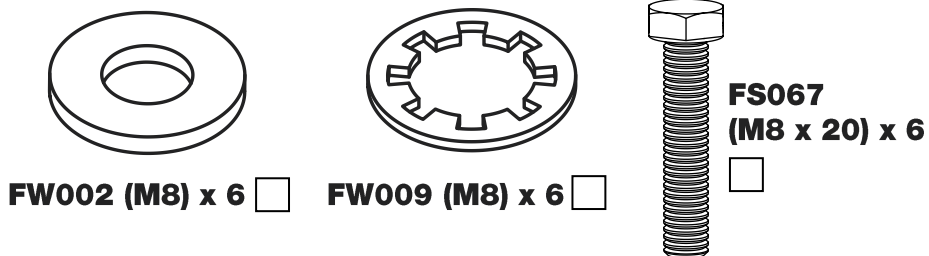
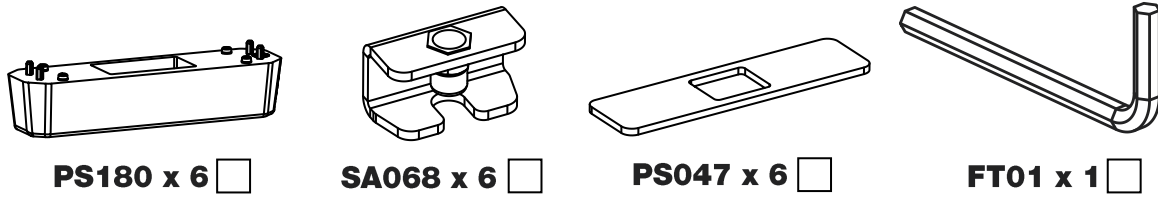
KammBar Pro



KammBar Fleet



Fitting Kit



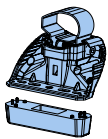
1.



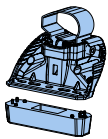
2.



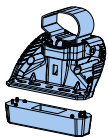
3.



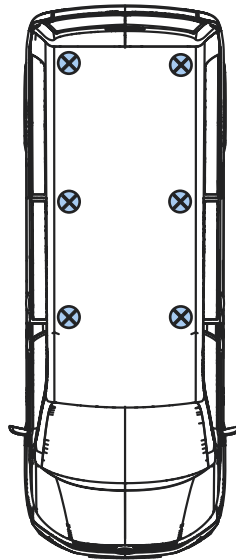
SA397
PS180



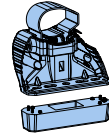
SA397
PS180



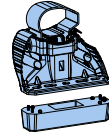
SA397
PS180



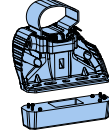
SA398
PS180



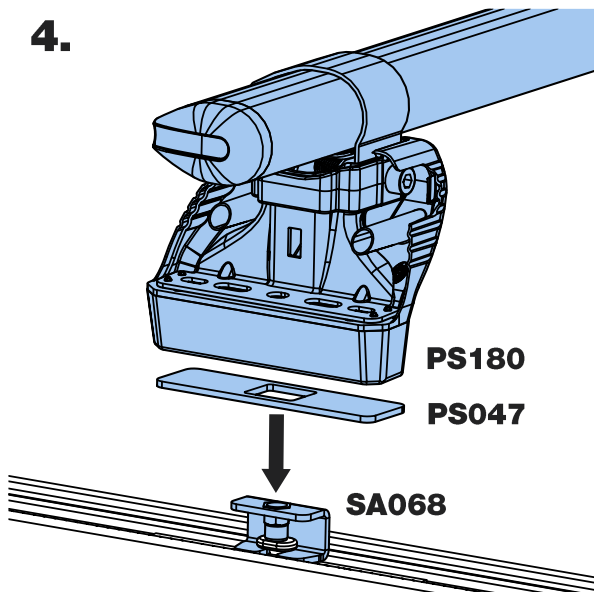
SA398
PS180



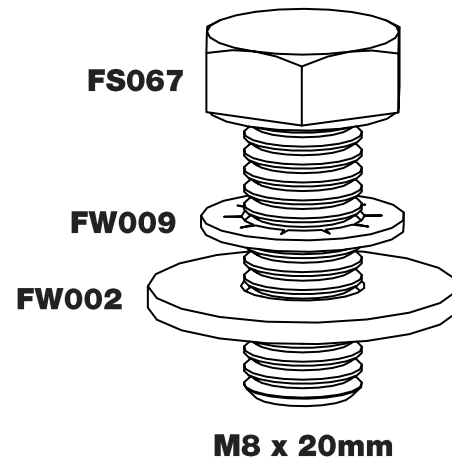
SA398
PS180



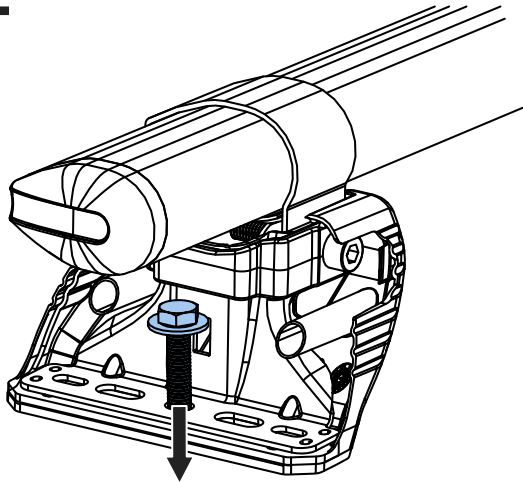
4.



5.

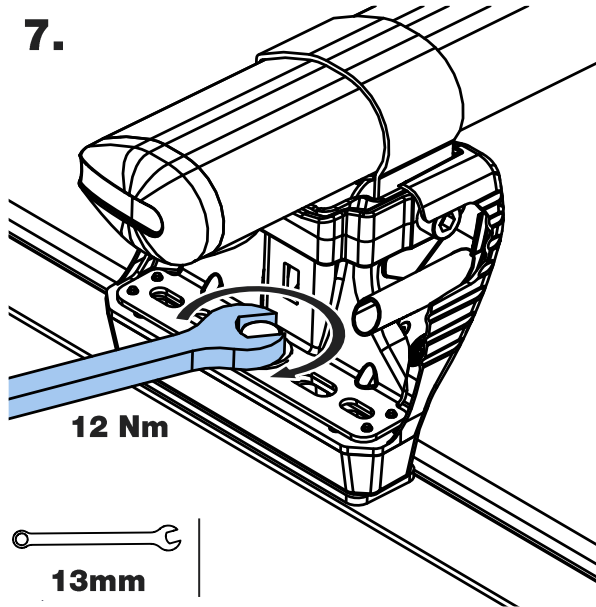


6.



PS180 + M8 x 20mm

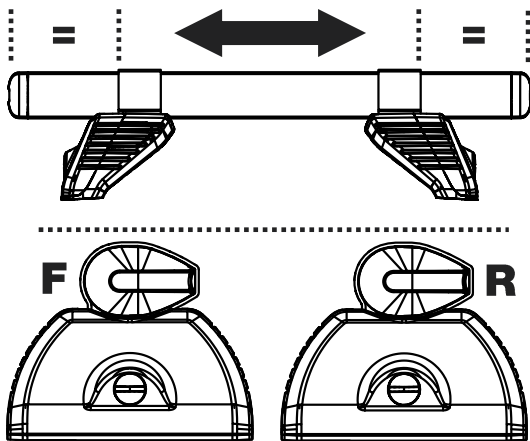
7.



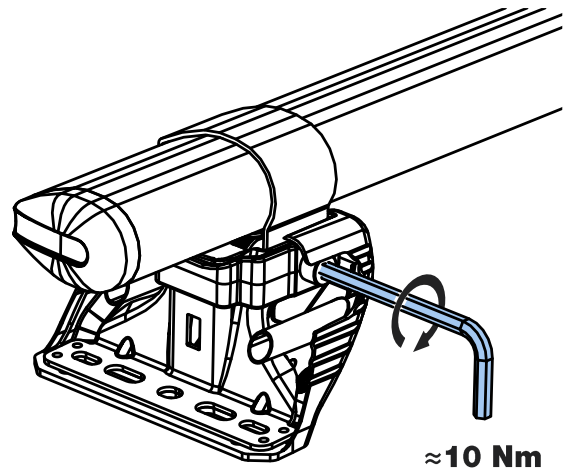
12 Nm

13mm

8.

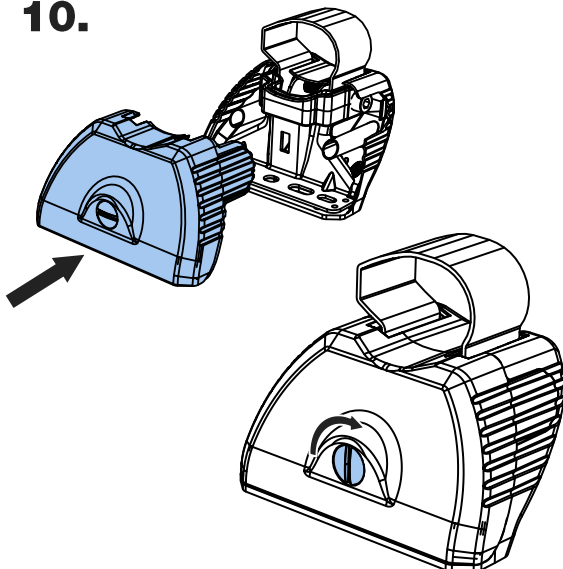


9.



≈10 Nm

10.



11.

