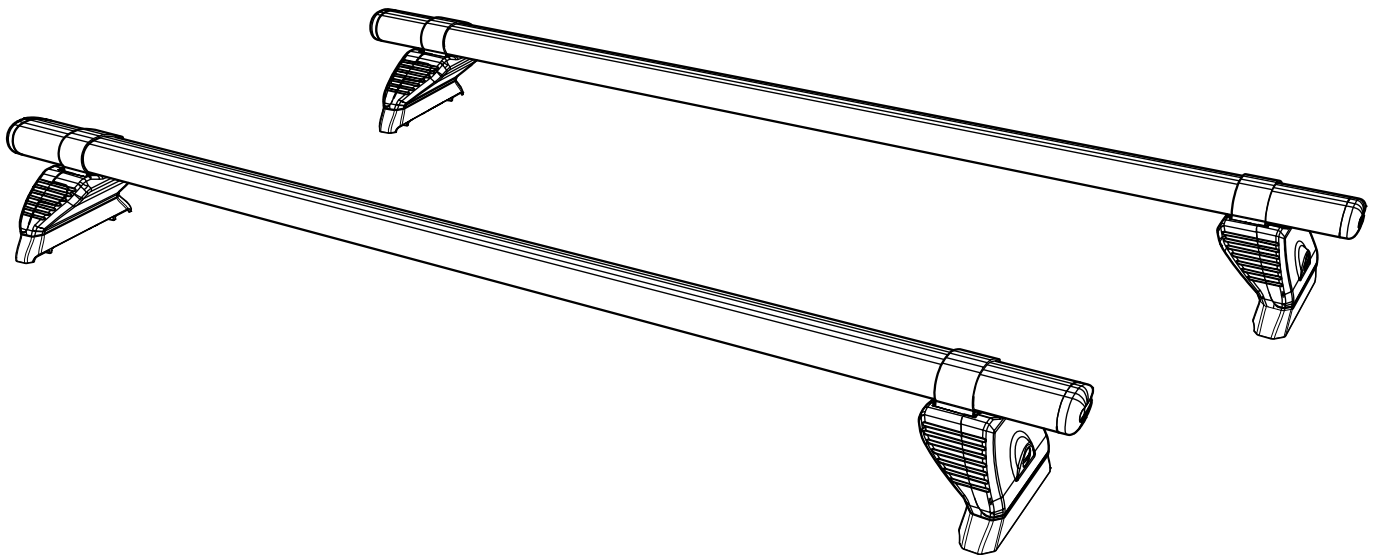


JA2PR/FL

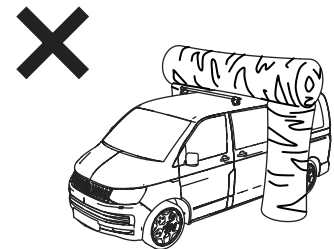
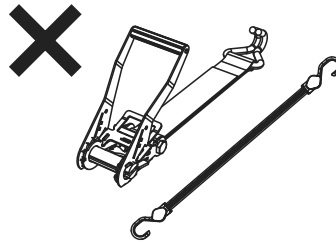
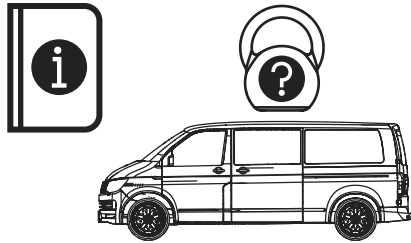
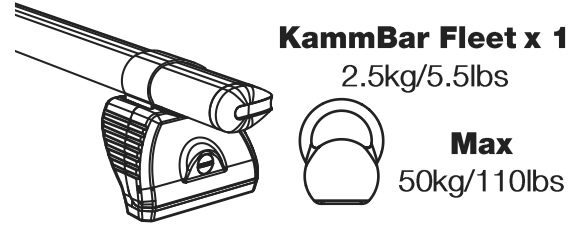
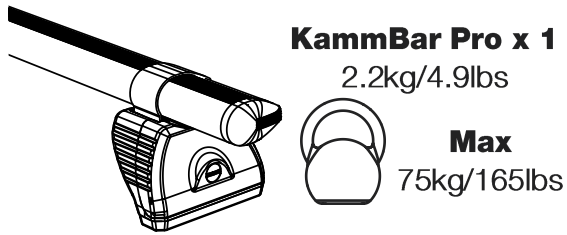
KammBar

Instructions

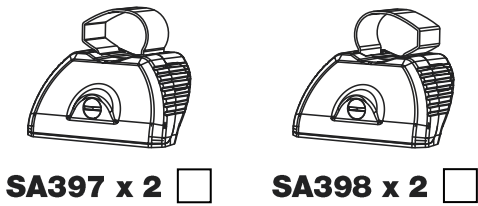
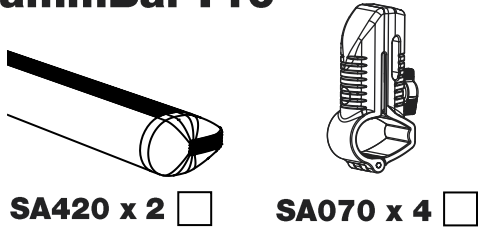


CITY CRASH (✓)

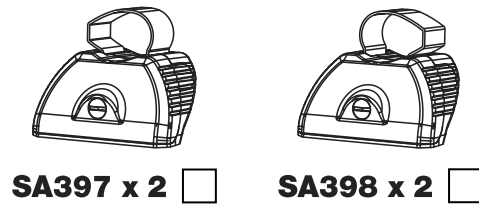
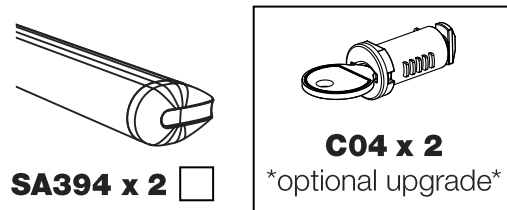
According to ISO/ PAS 11154:2006



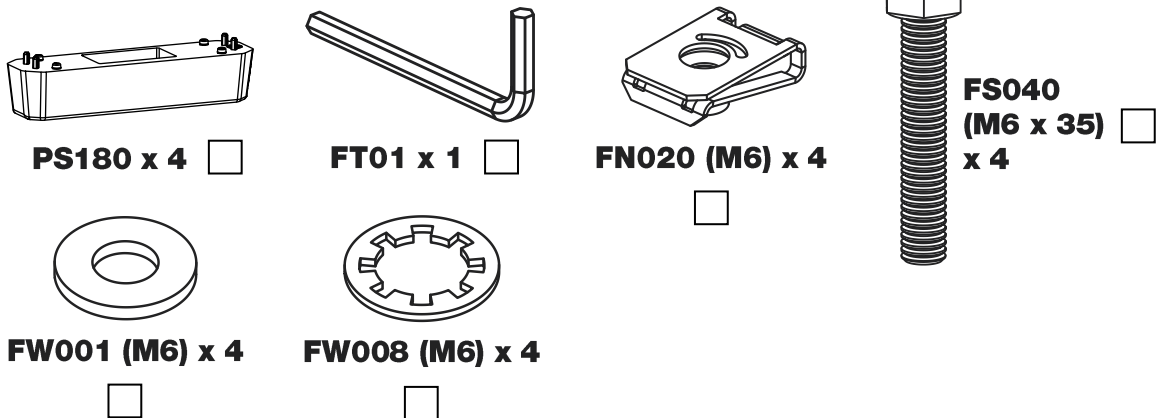
KammBar Pro



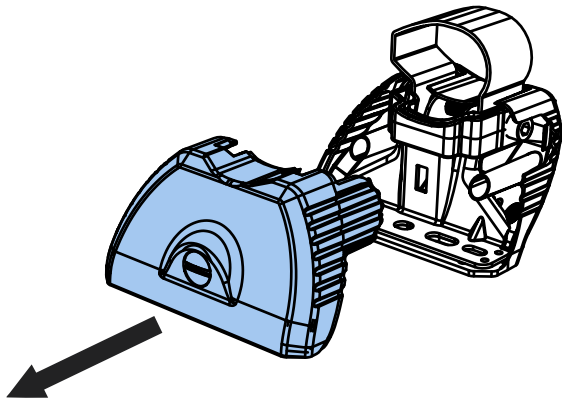
KammBar Fleet



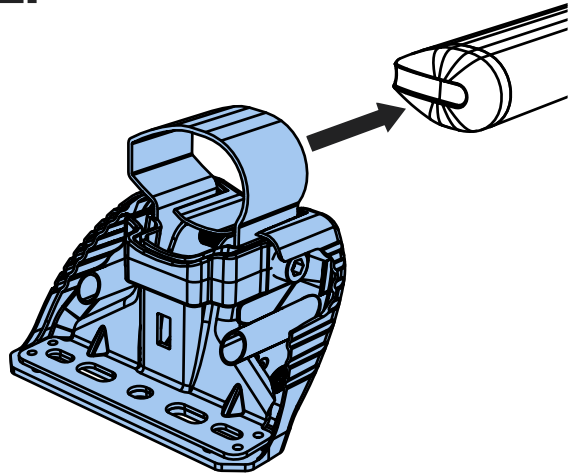
Fitting Kit



1.



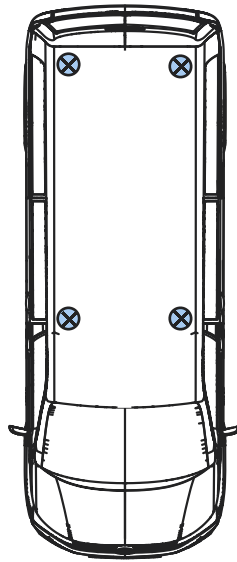
2.



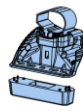
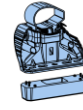
3.



SA397
PS180

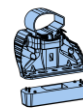


SA398
PS180

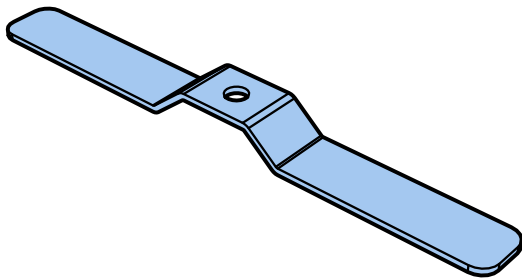


SA397
PS180

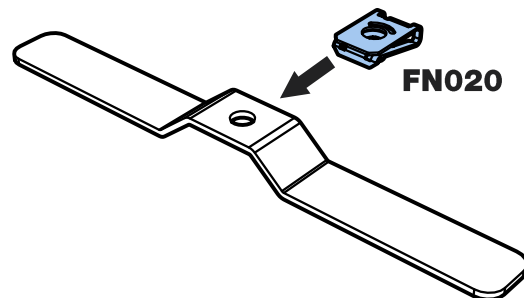
SA398
PS180

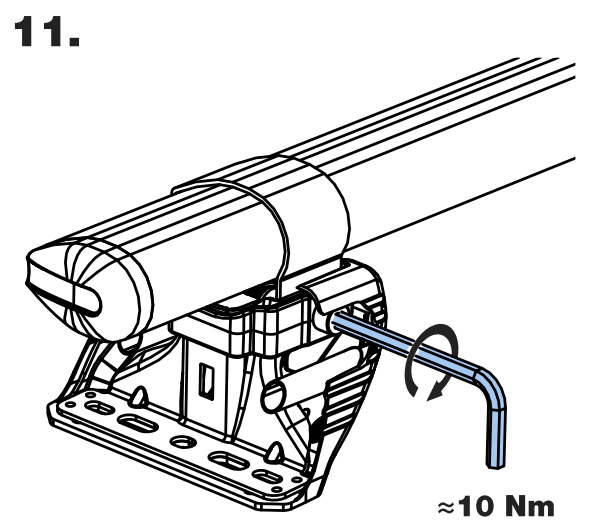
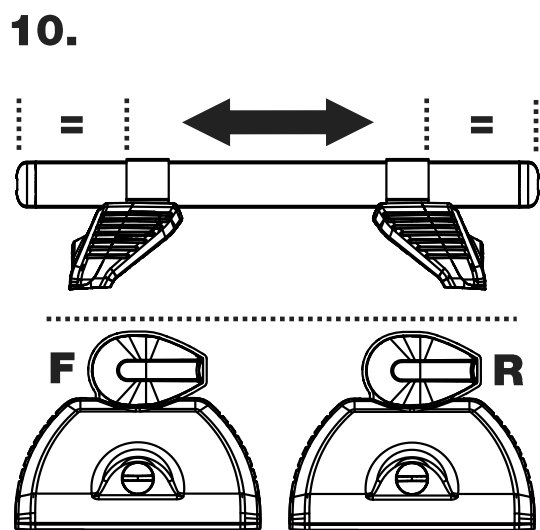
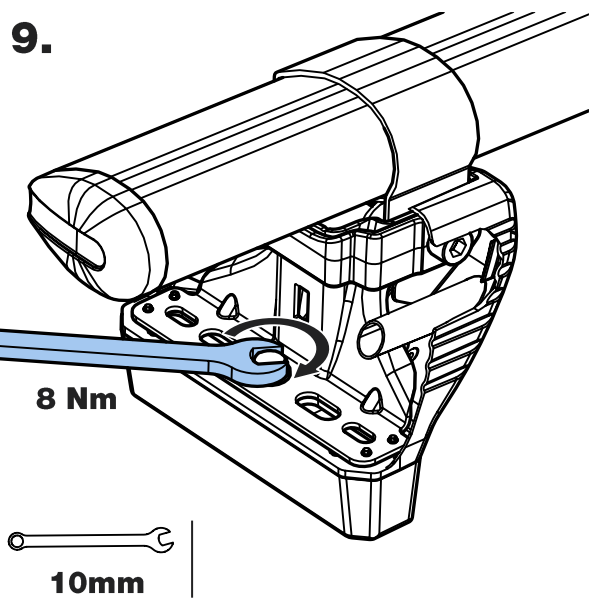
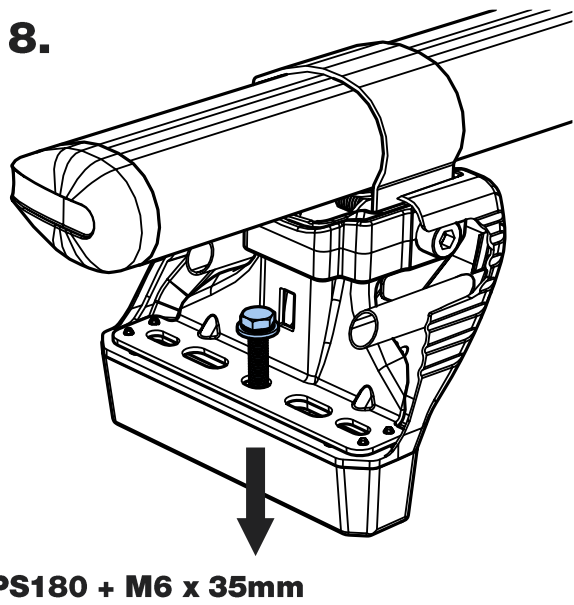
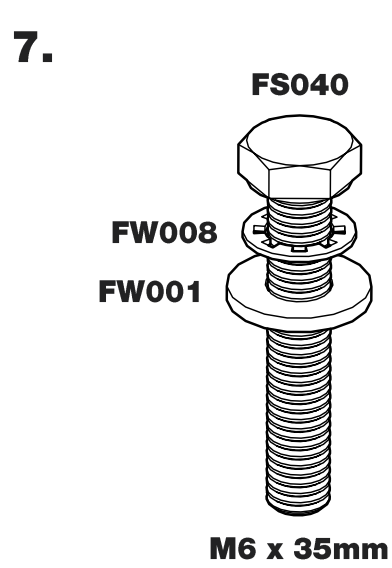
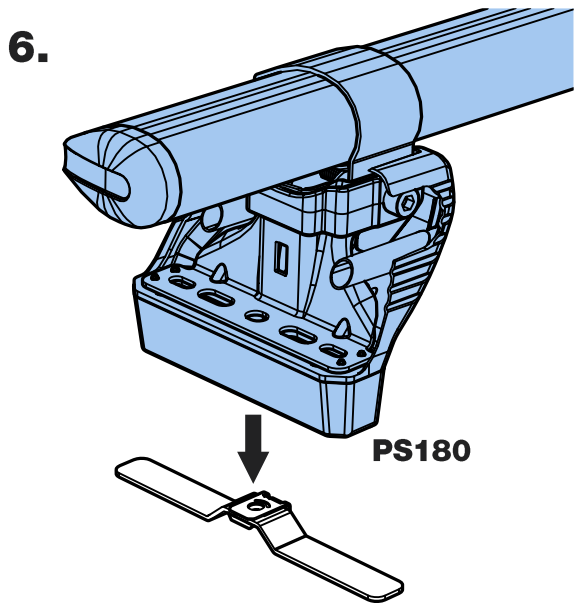


4.

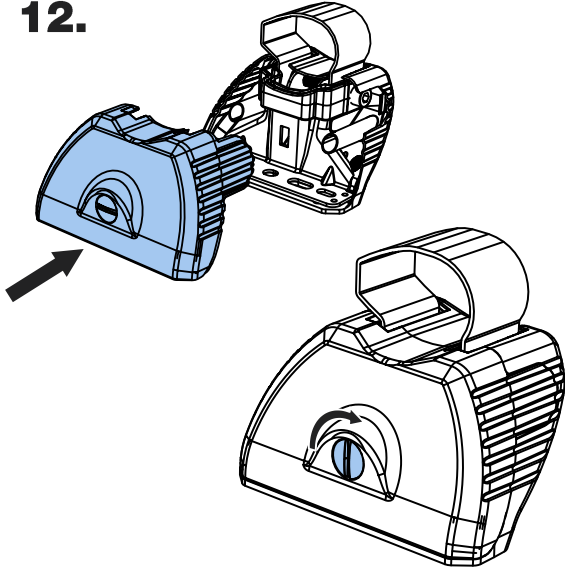


5.





12.



13.

