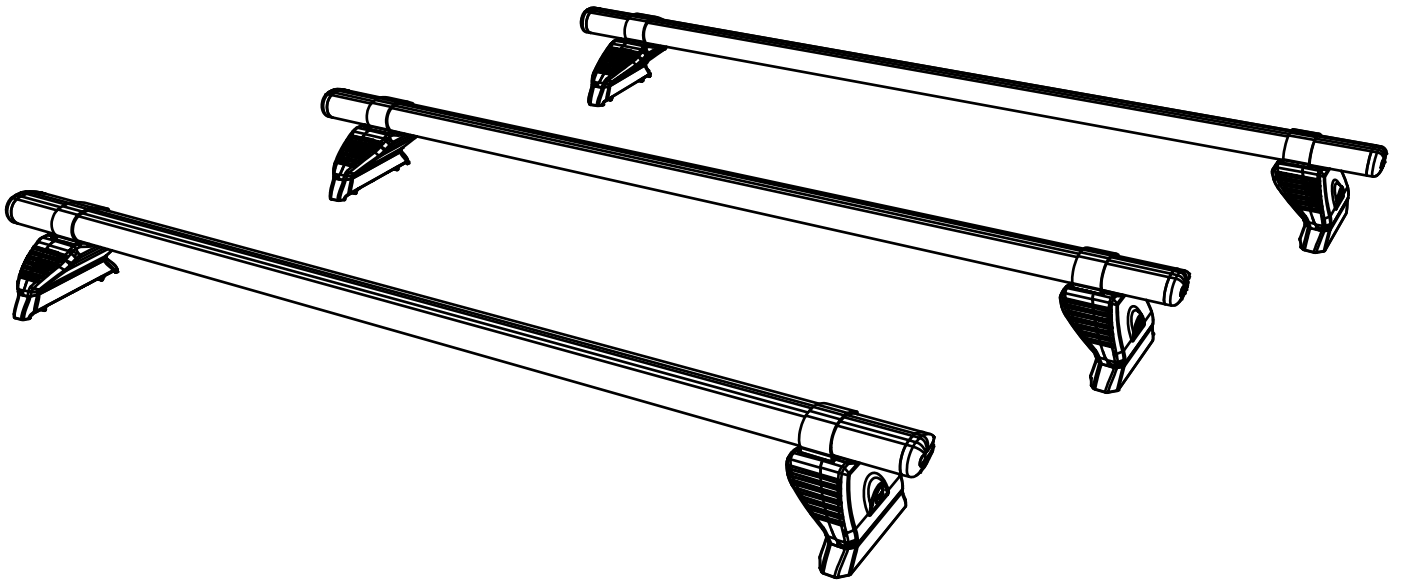


JD3PR/FL

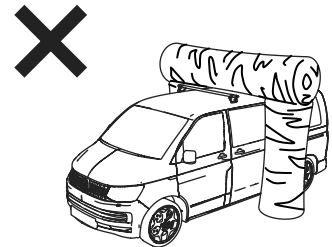
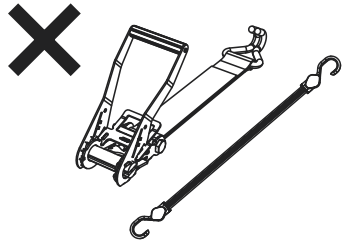
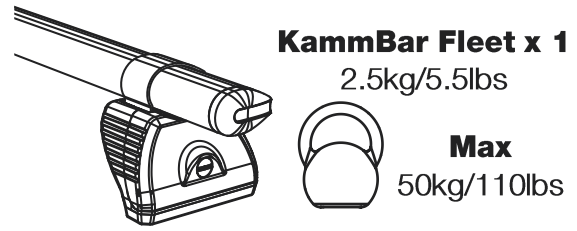
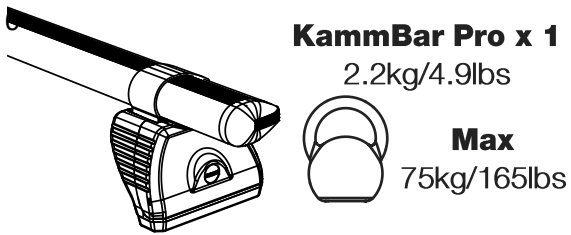
KammBar

Instructions

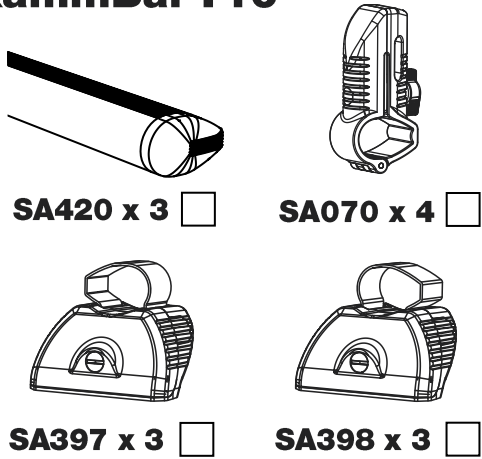


CITY CRASH (✓)

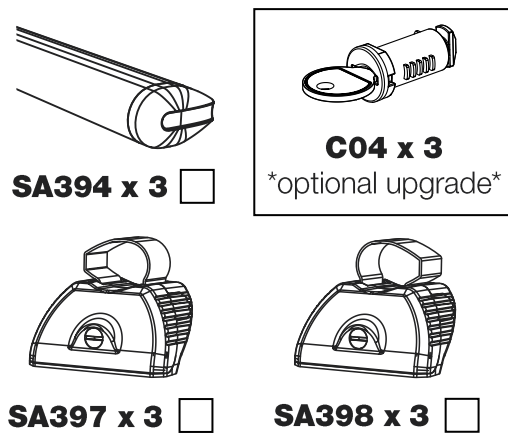
According to ISO/ PAS 11154:2006



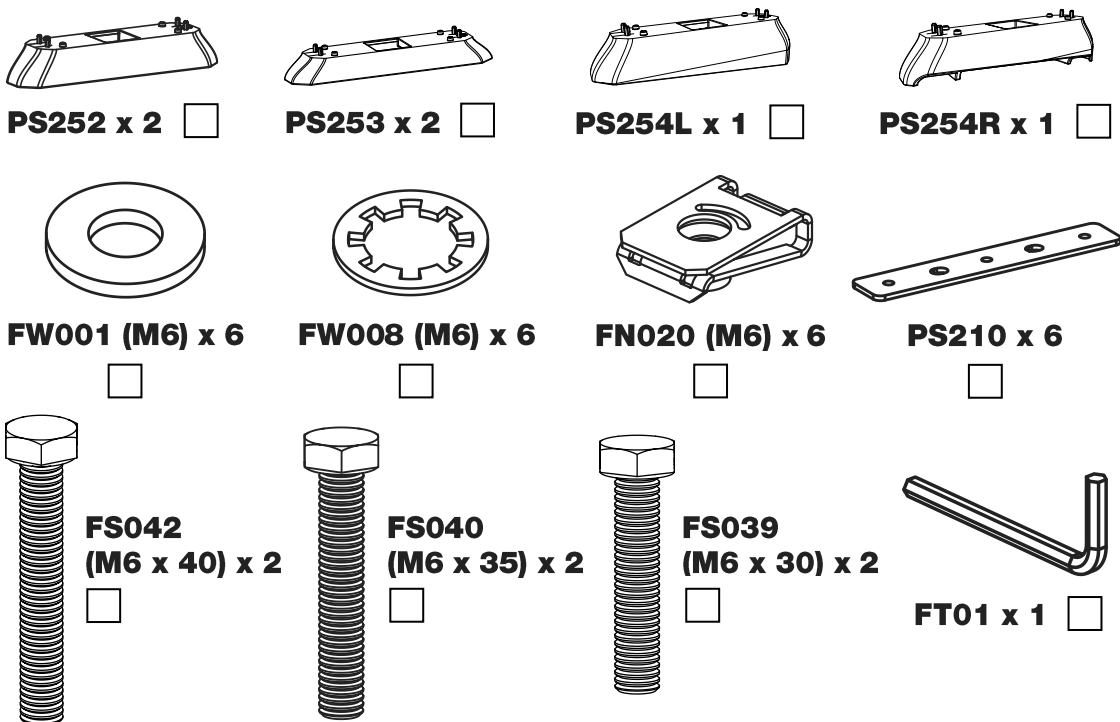
KammBar Pro



KammBar Fleet



Fitting Kit



1.



2.



3.



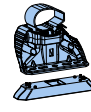
SA397
PS254R

SA398
PS254L



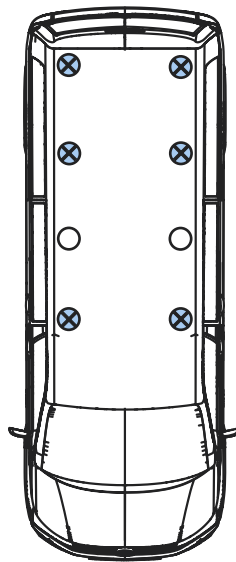
SA397
PS253

SA398
PS253

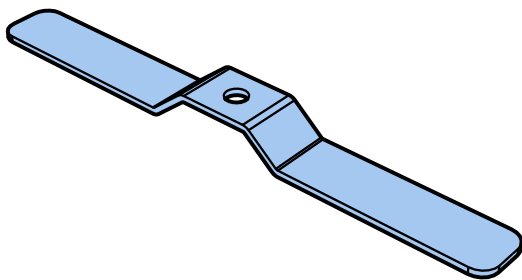


SA397
PS252

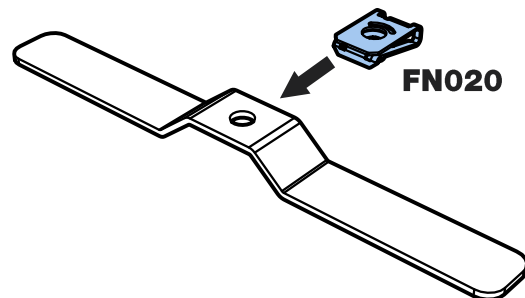
SA398
PS252



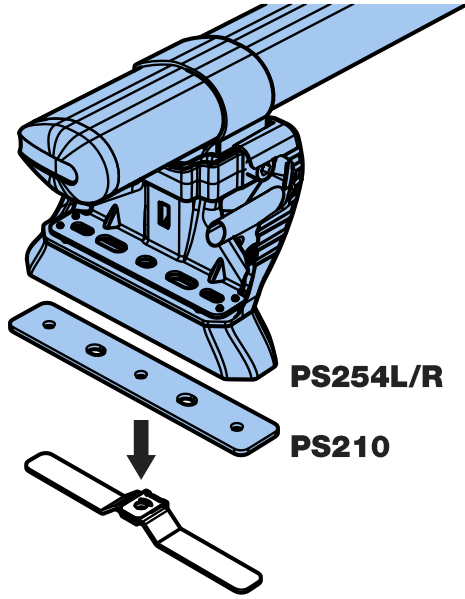
4.



5.



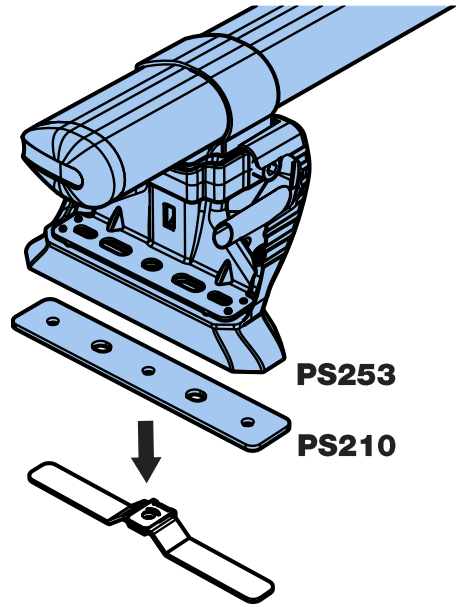
6.



PS254L/R

PS210

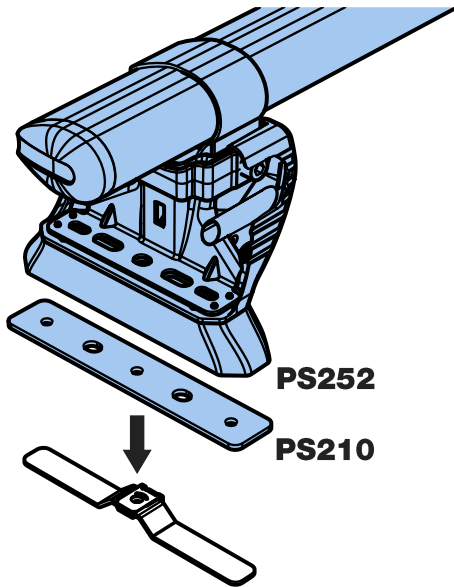
7.



PS253

PS210

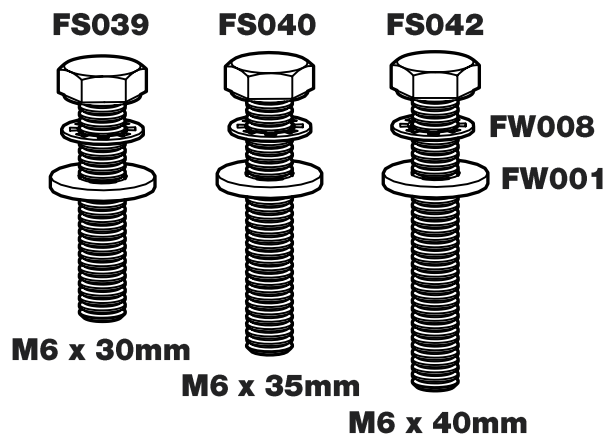
8.



PS252

PS210

9.



FS039

FS040

FS042

FW008

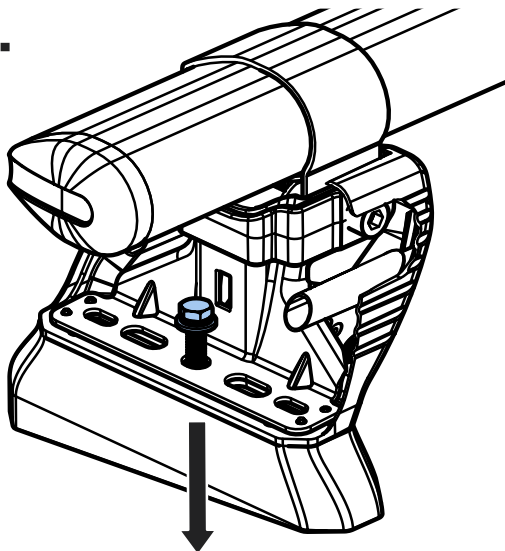
FW001

M6 x 30mm

M6 x 35mm

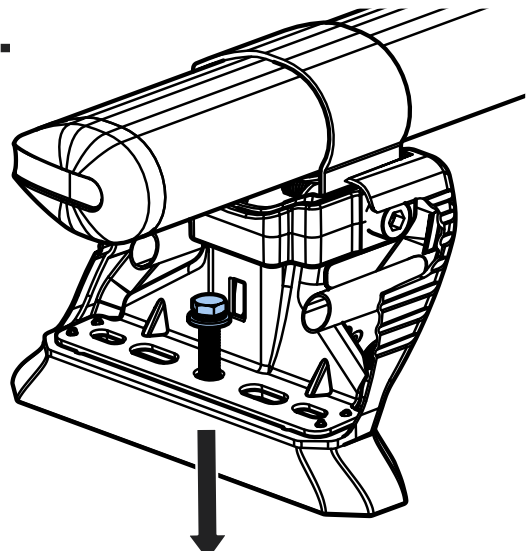
M6 x 40mm

10.



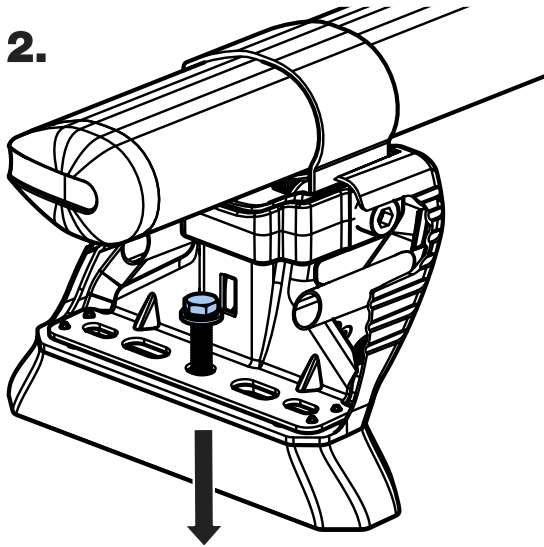
PS254L/R + M6 x 40mm

11.



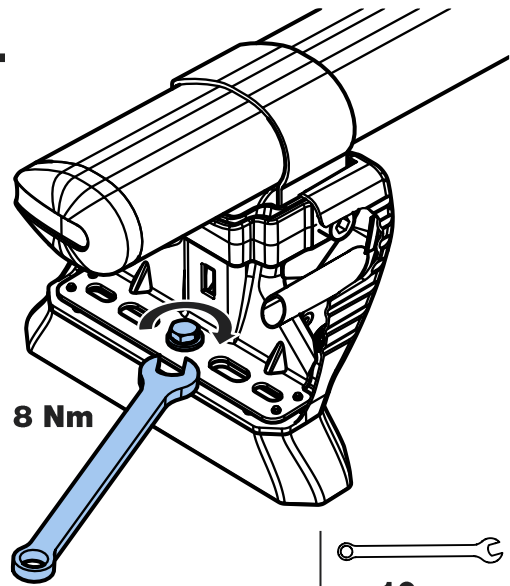
PS253 + M6 x 30mm

12.



PS252 + M6 x 35mm

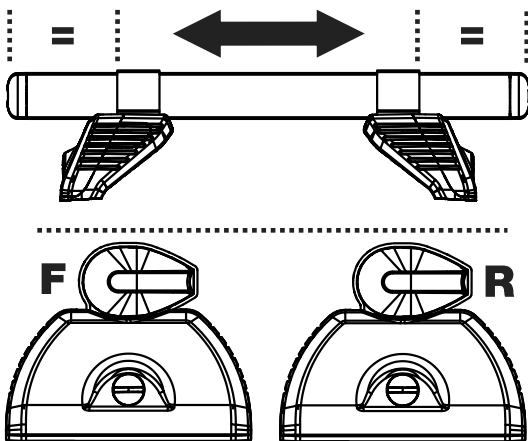
13.



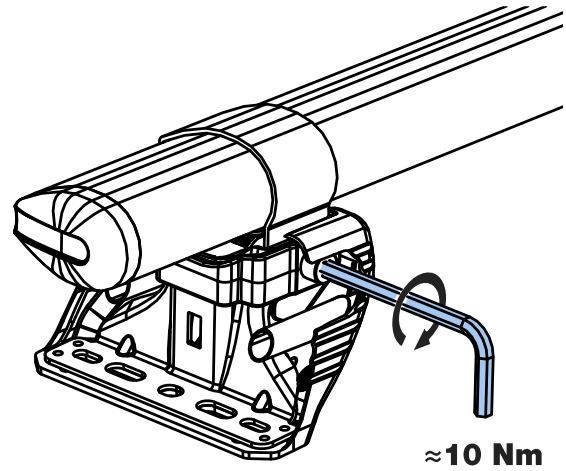
8 Nm

10mm

14.

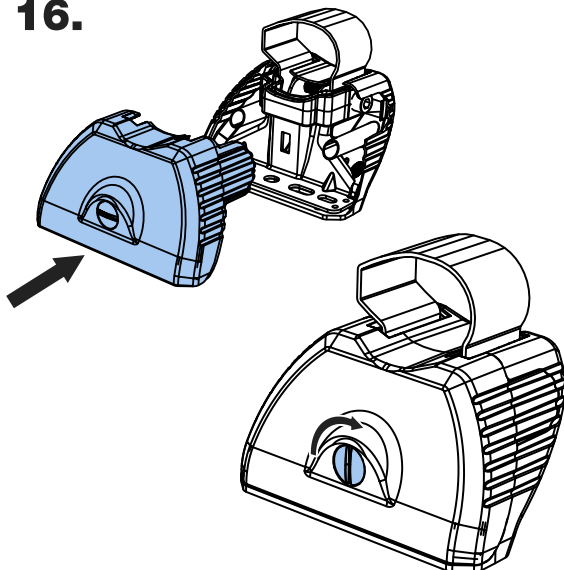


15.



≈10 Nm

16.



17.

