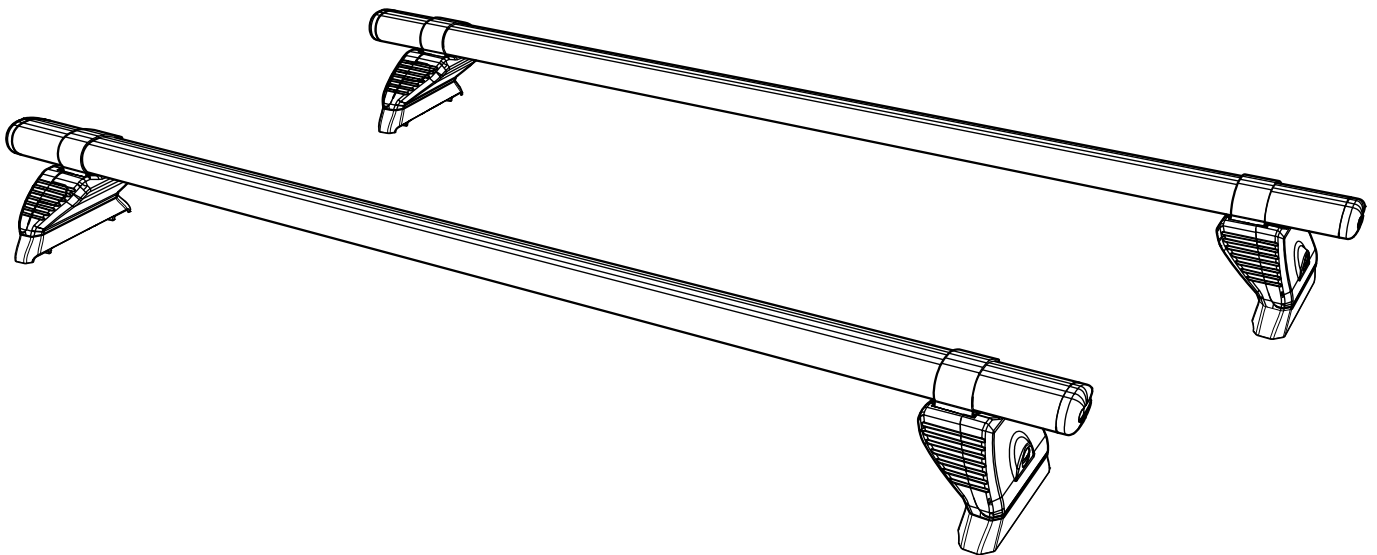


# KB2PR/FL

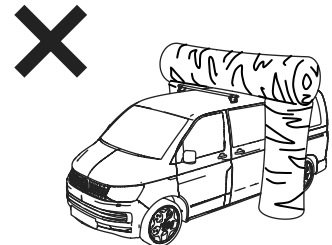
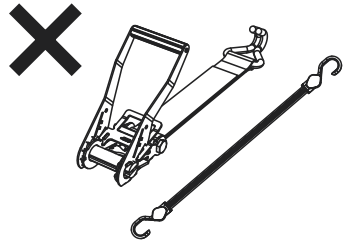
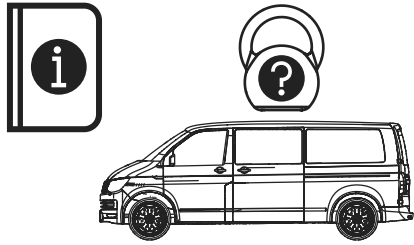
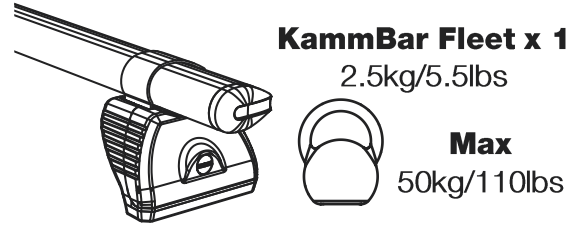
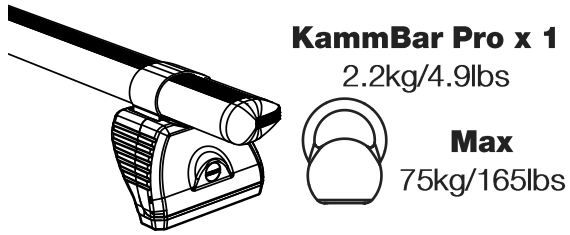
# KammBar

## Instructions

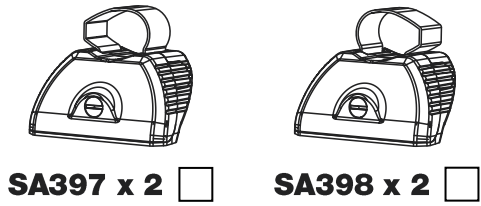
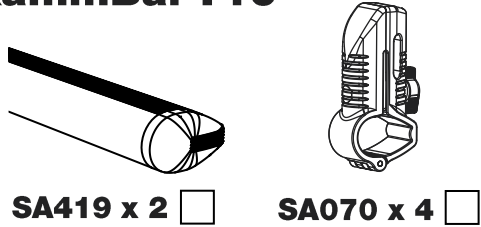


**CITY CRASH** (✓)

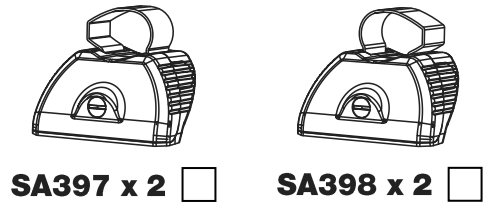
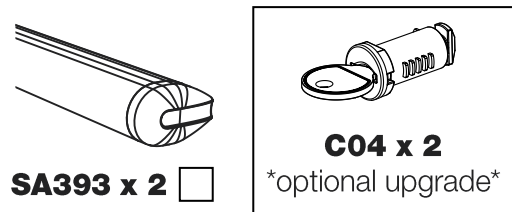
According to ISO/ PAS 11154:2006



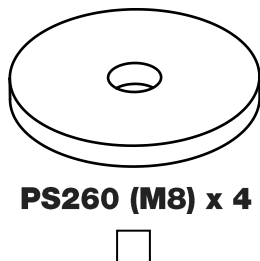
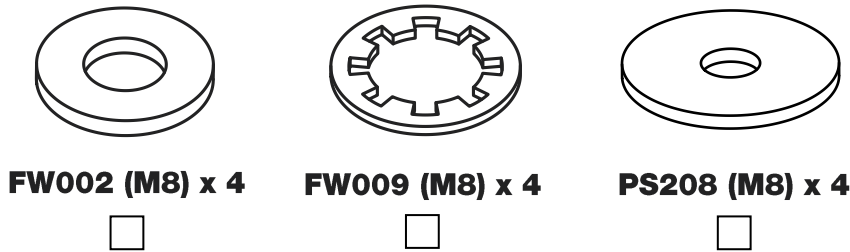
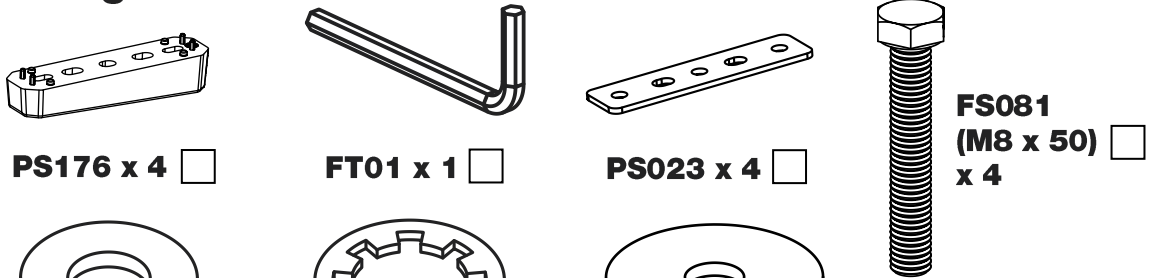
### KammBar Pro



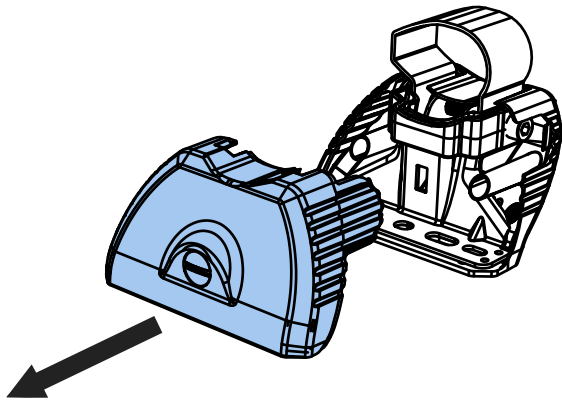
### KammBar Fleet



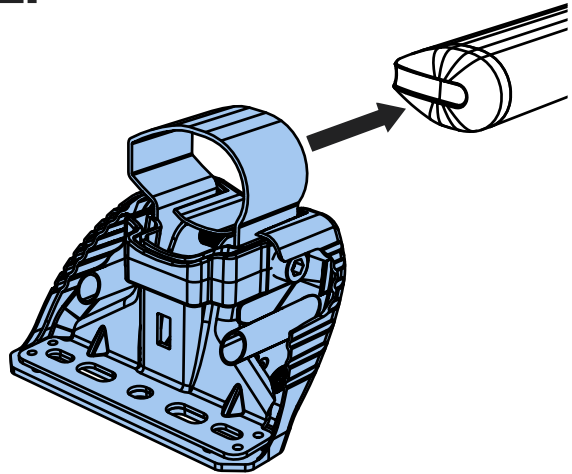
### Fitting Kit



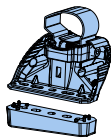
1.



2.



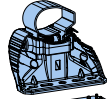
3.



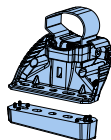
SA397

PS176

SA398



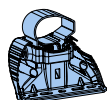
PS176



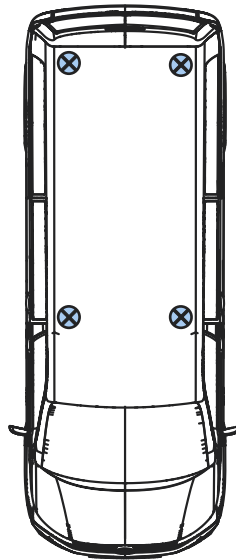
SA397

PS176

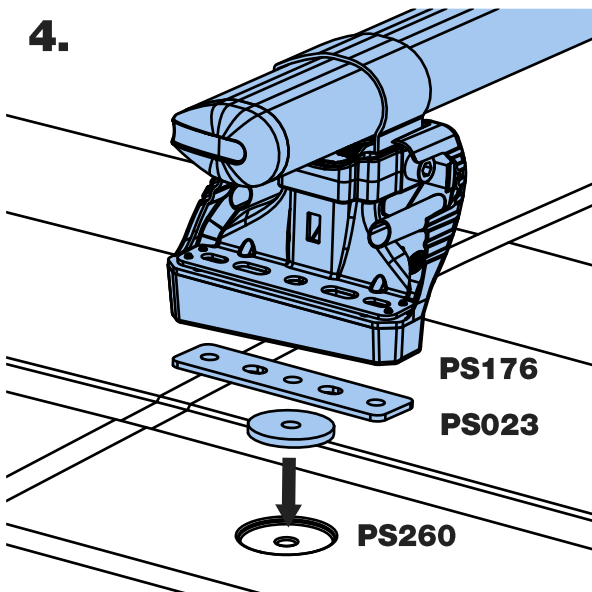
SA398



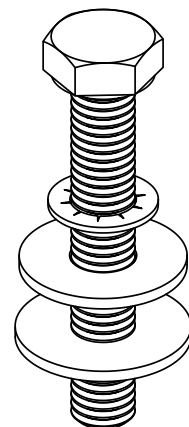
PS176



4.



5.



FS081

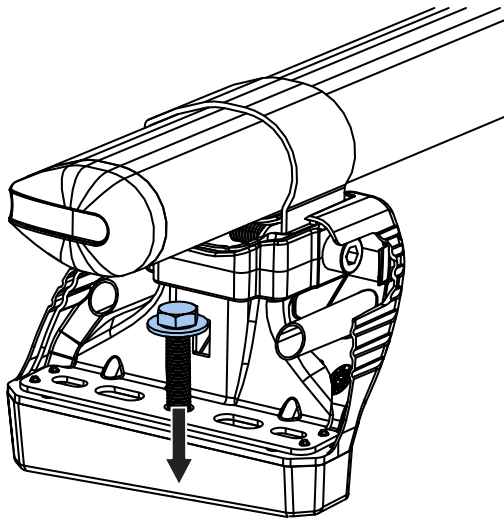
FW009

FW002

PS208

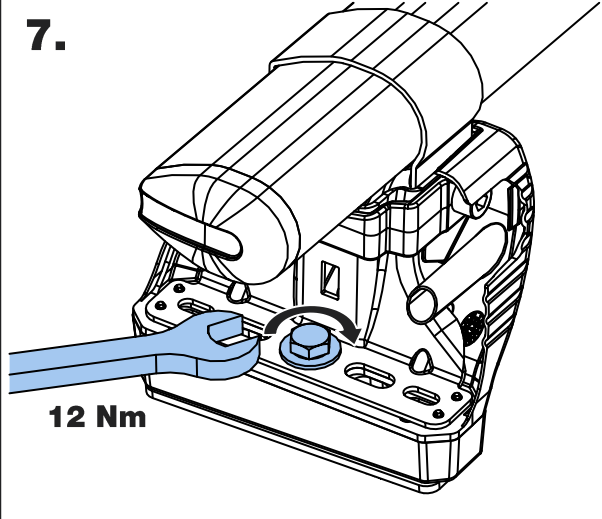
M8 x 50mm

6.

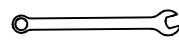


PS176 + M8 x 50mm

7.

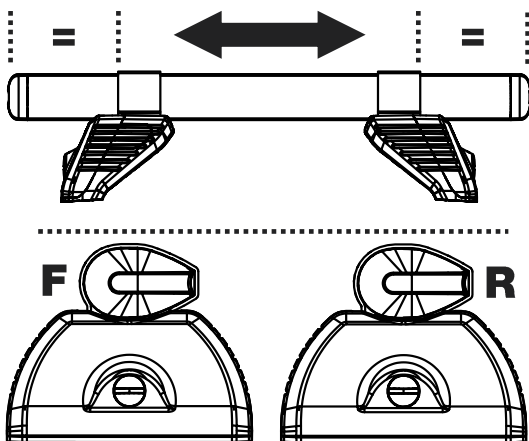


12 Nm

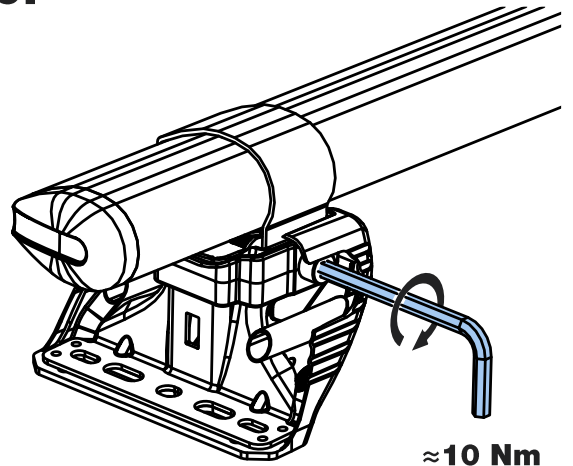


13mm

8.

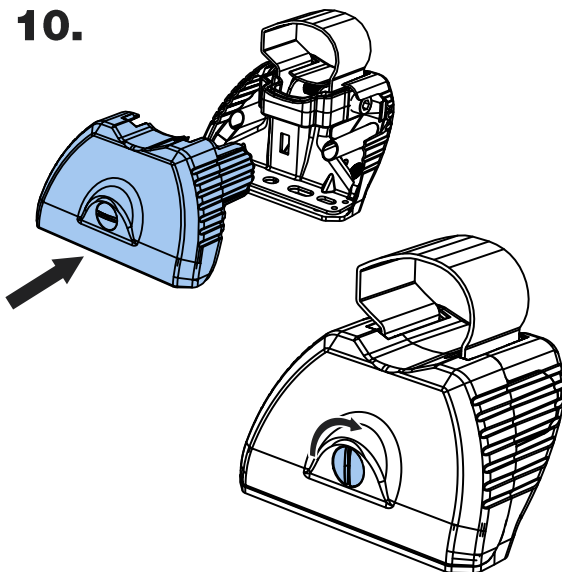


9.



≈ 10 Nm

10.



11.

