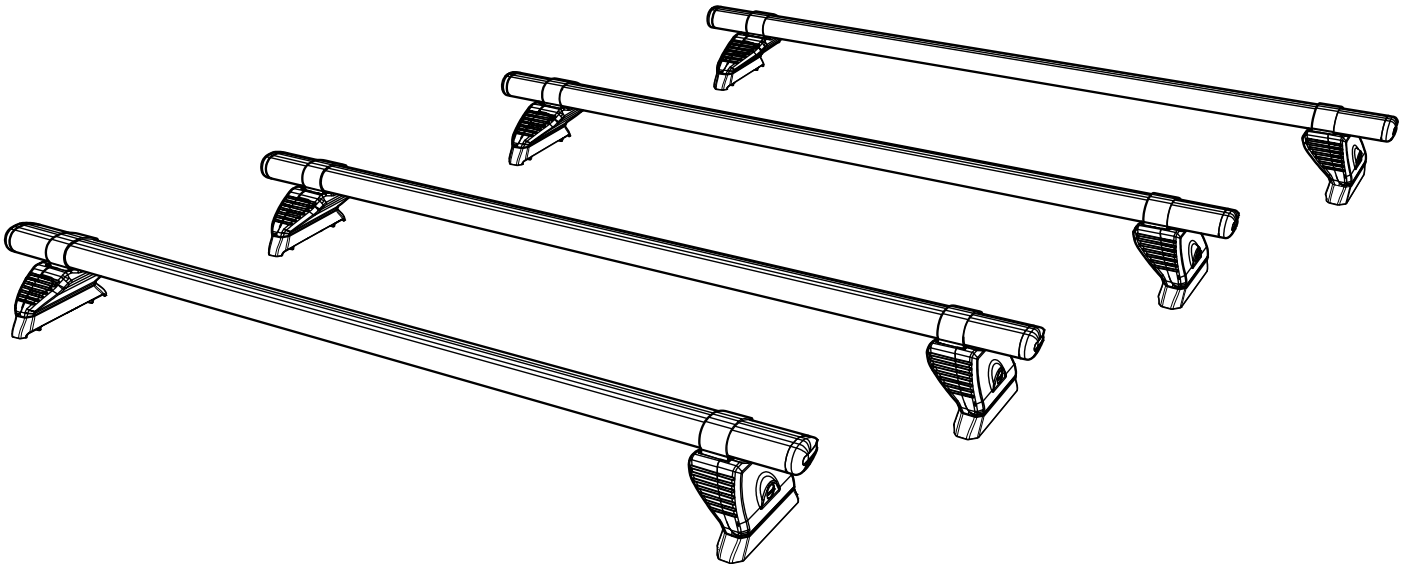


KD4PR/FL

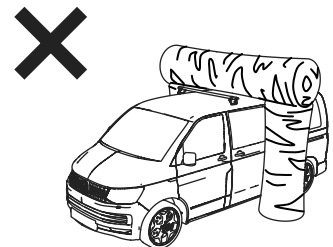
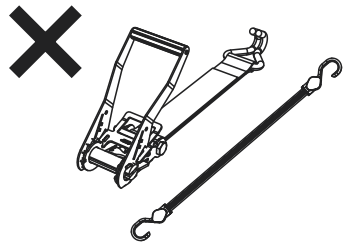
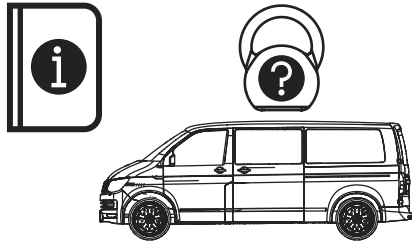
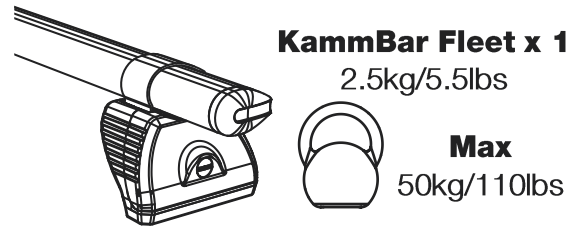
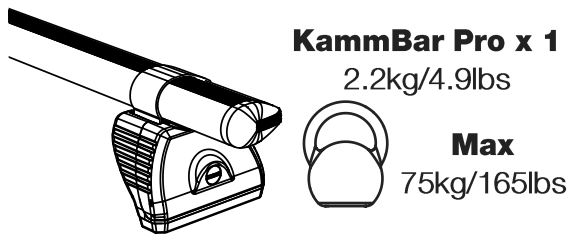
KammBar

Instructions

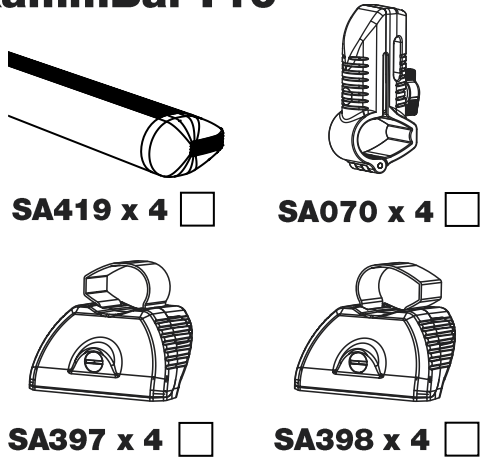


CITY CRASH (✓)

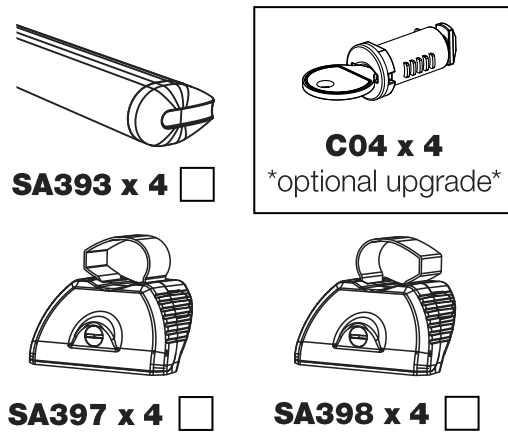
According to ISO/ PAS 11154:2006



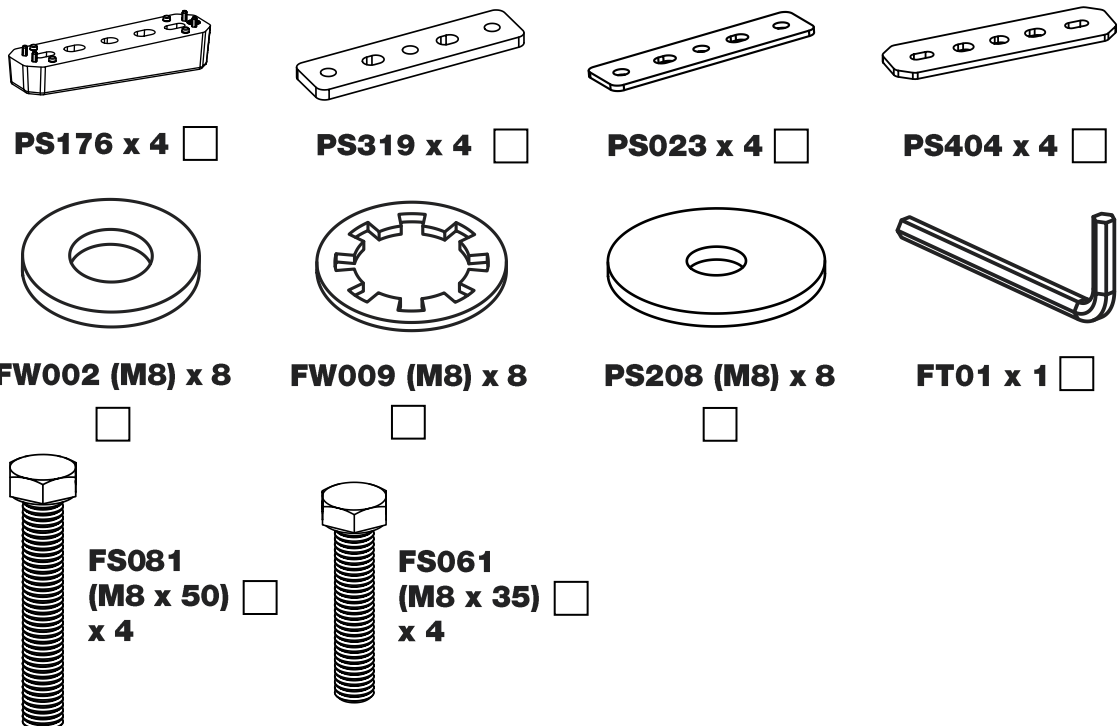
KammBar Pro



KammBar Fleet



Fitting Kit



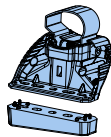
1.



2.



3.



SA397



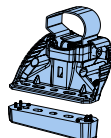
PS176



SA397

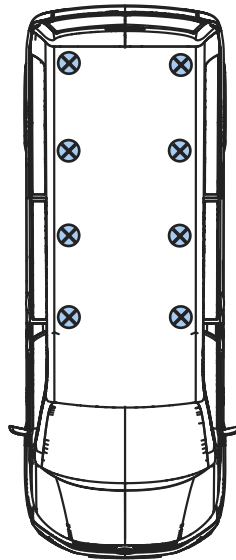


SA397



SA397

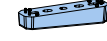
PS176



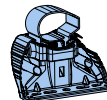
SA398



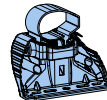
PS176



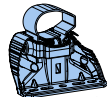
SA398



SA398



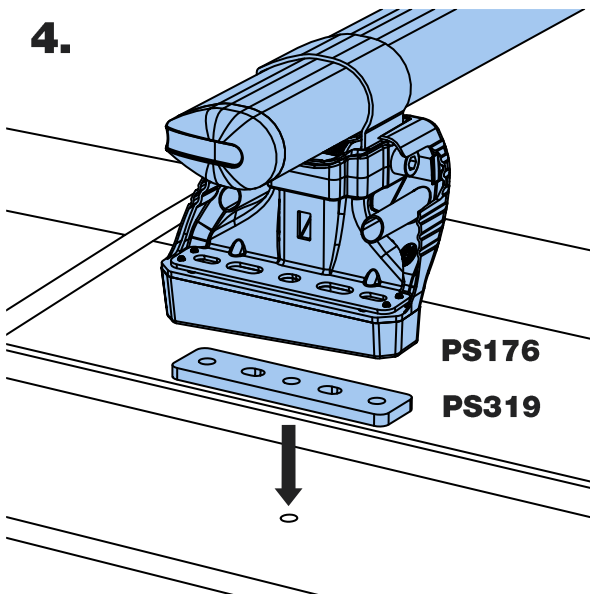
SA398



PS176



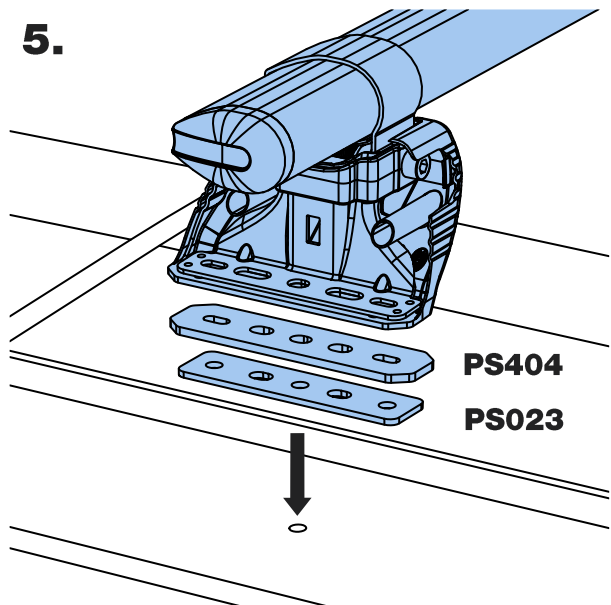
4.



PS176

PS319

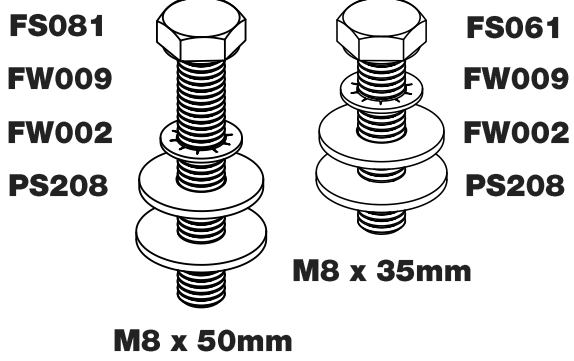
5.



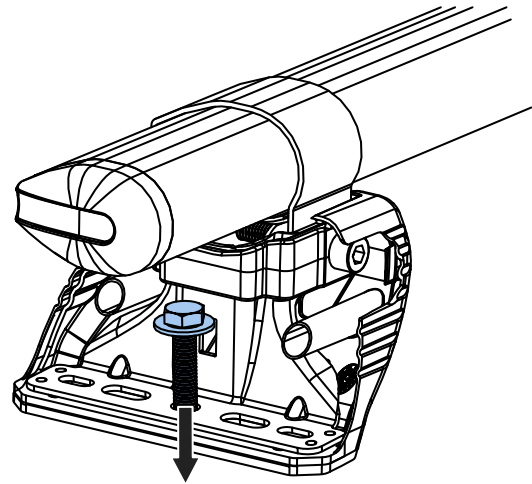
PS404

PS023

6.

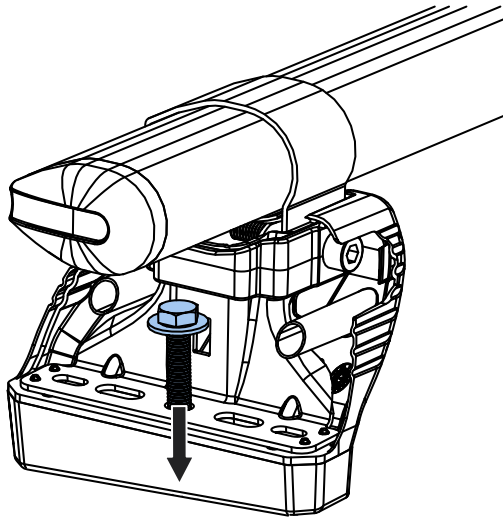


7.



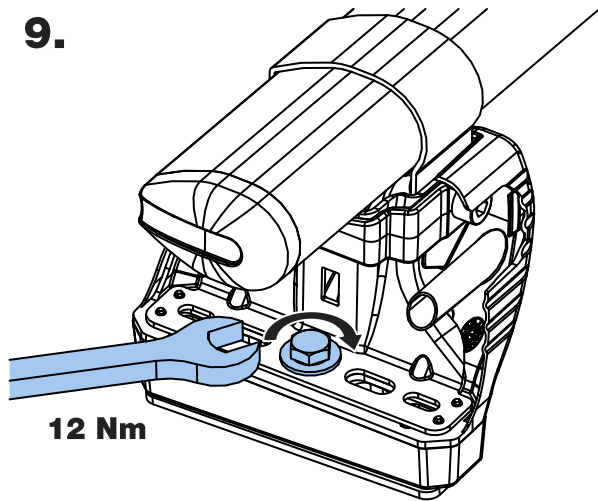
PS404 + M8 x 35mm

8.



PS176 + M8 x 50mm

9.

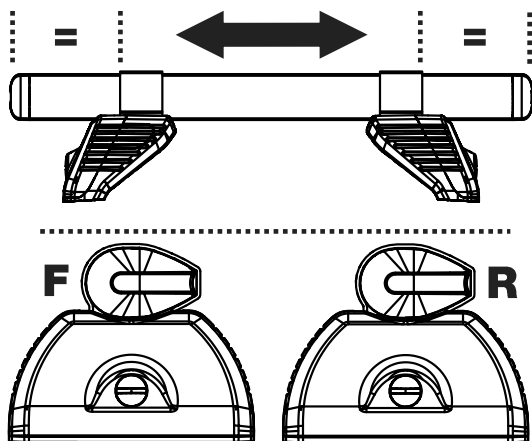


12 Nm

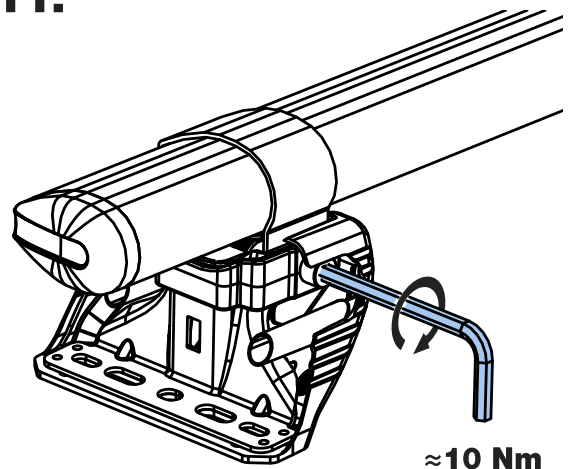


13mm

10.

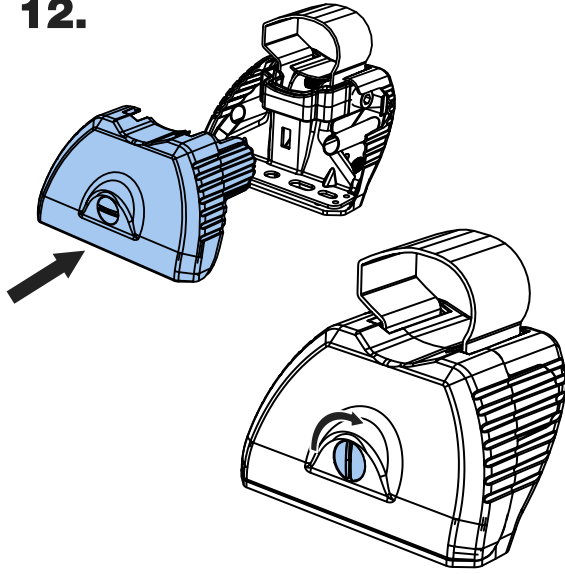


11.



≈ 10 Nm

12.



13.

