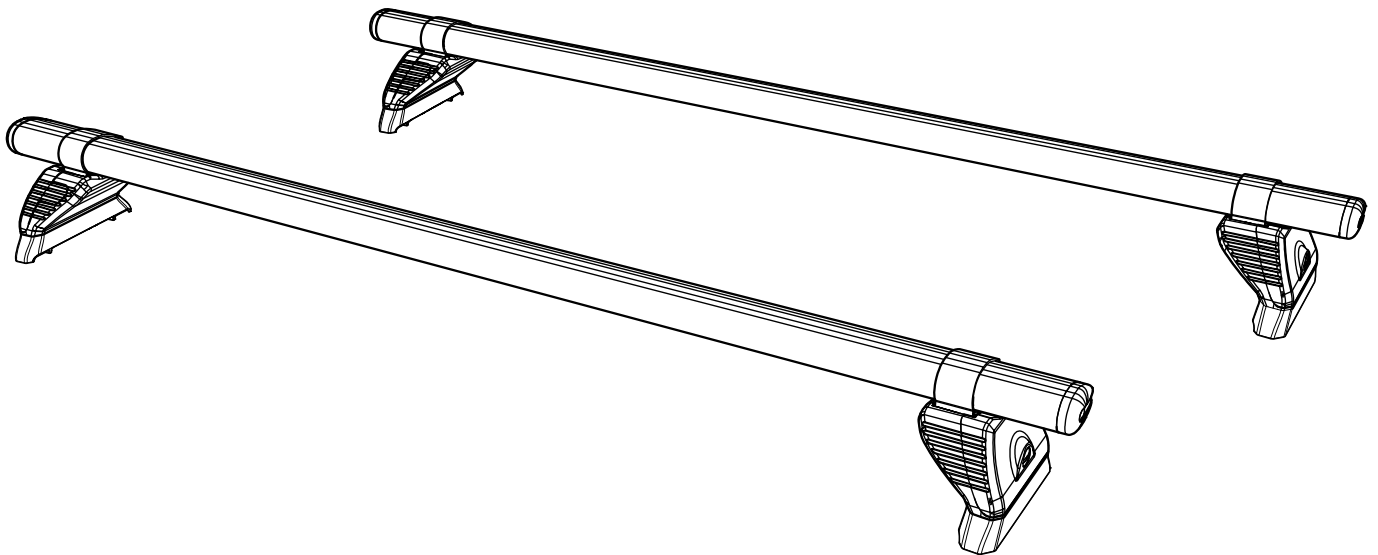
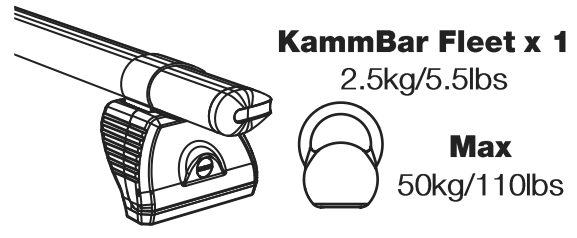


P2PR/FL KammBar Instructions

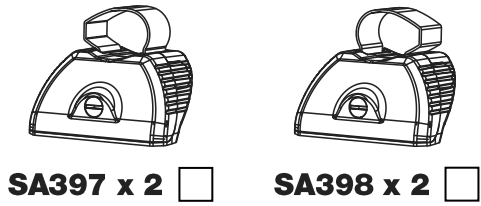
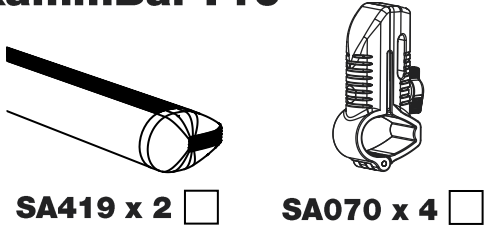


CITY CRASH (✓)

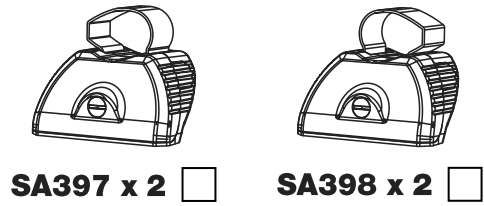
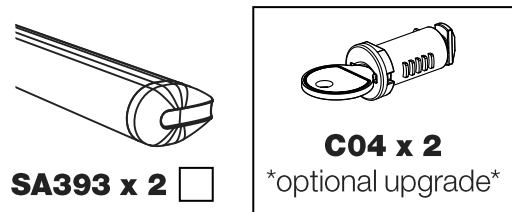
According to ISO/ PAS 11154:2006



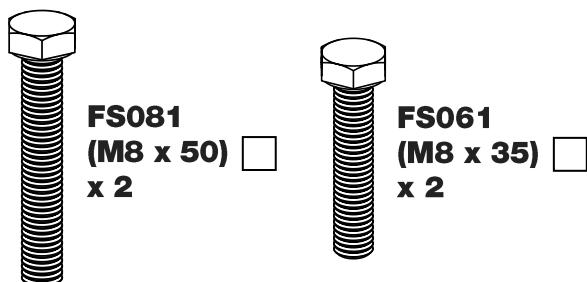
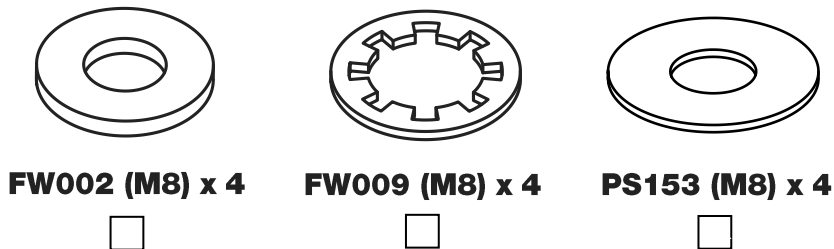
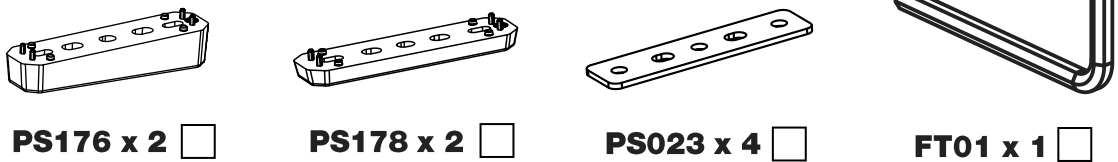
KammBar Pro



KammBar Fleet



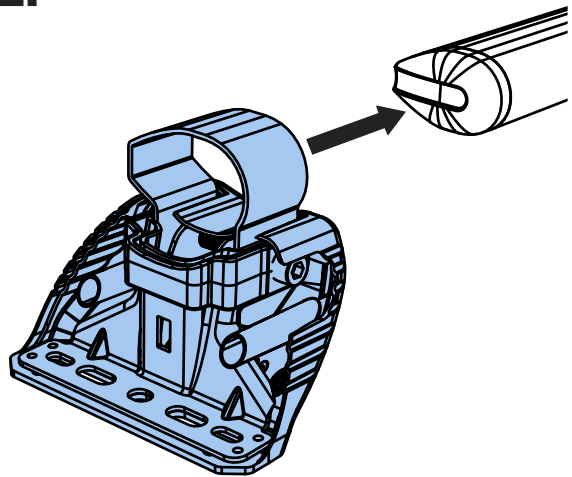
Fitting Kit



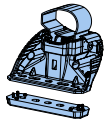
1.



2.

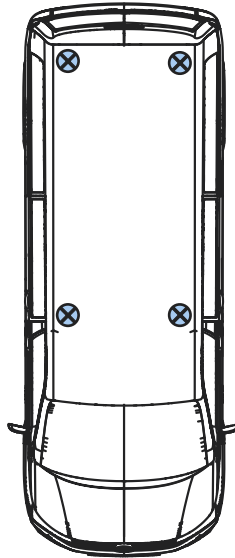


3.



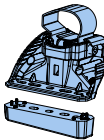
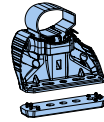
SA397

PS178



SA398

PS178

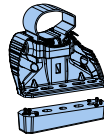


SA397

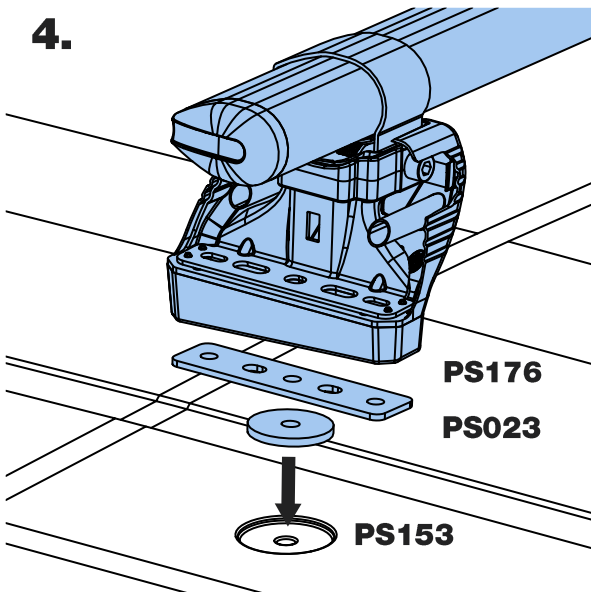
PS176

SA398

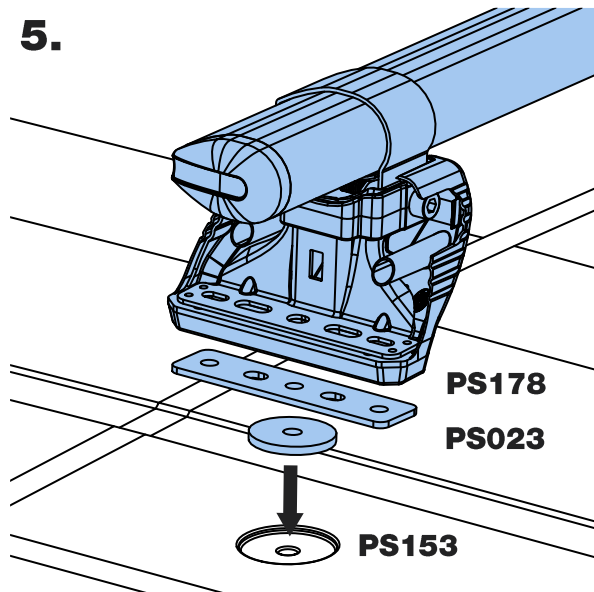
PS176



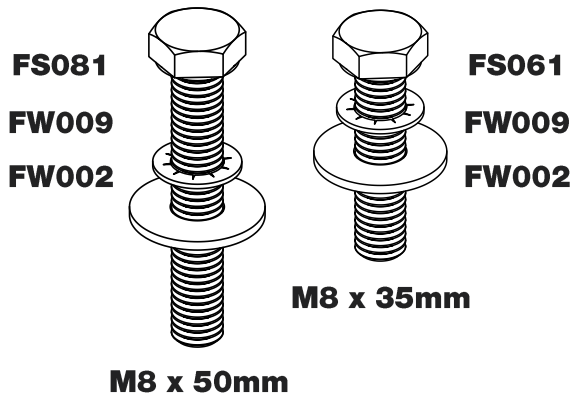
4.



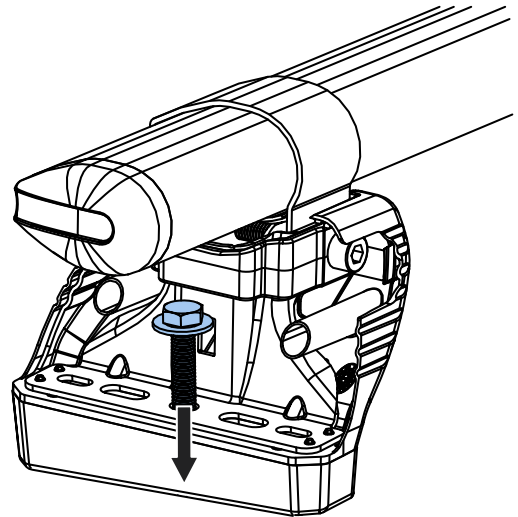
5.



6.

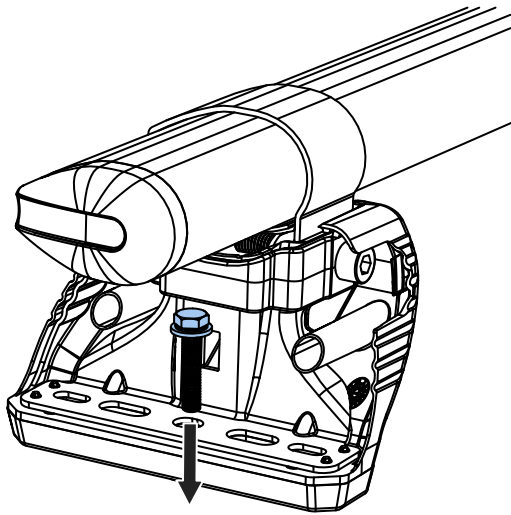


7.



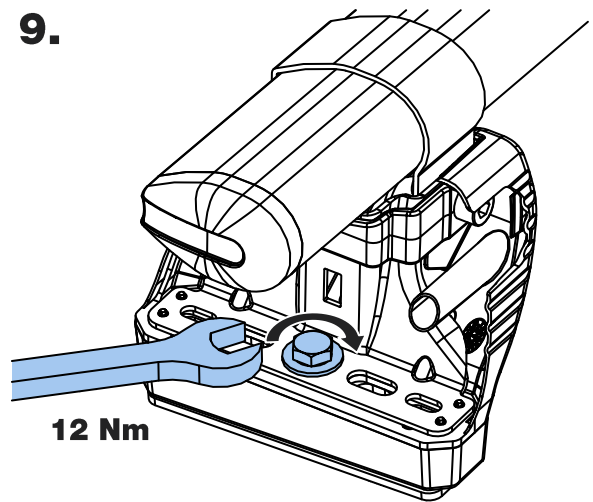
PS176 + M8 x 50mm

8.

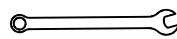


PS178 + M8 x 35mm

9.

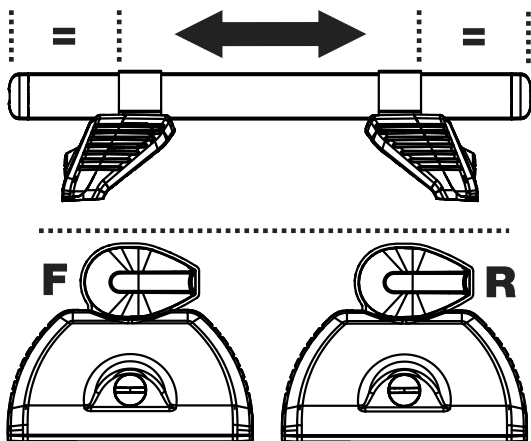


12 Nm

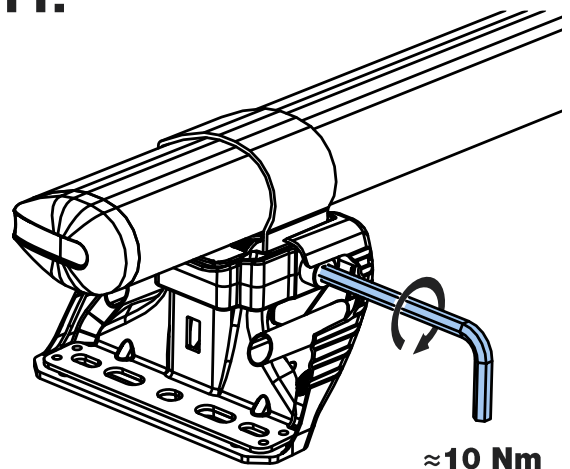


13mm

10.

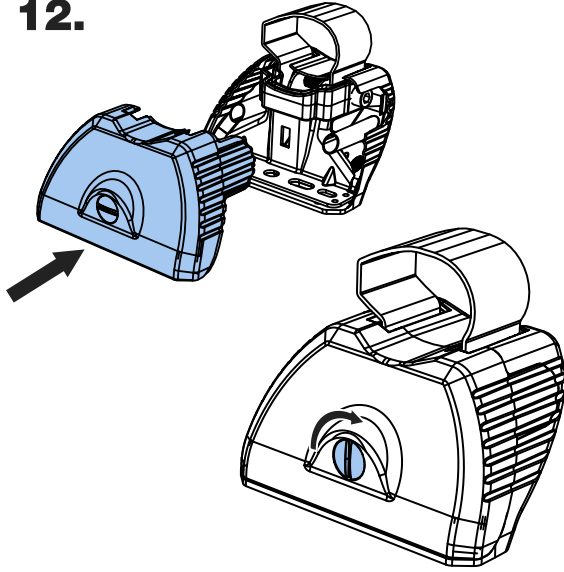


11.



≈ 10 Nm

12.



13.

