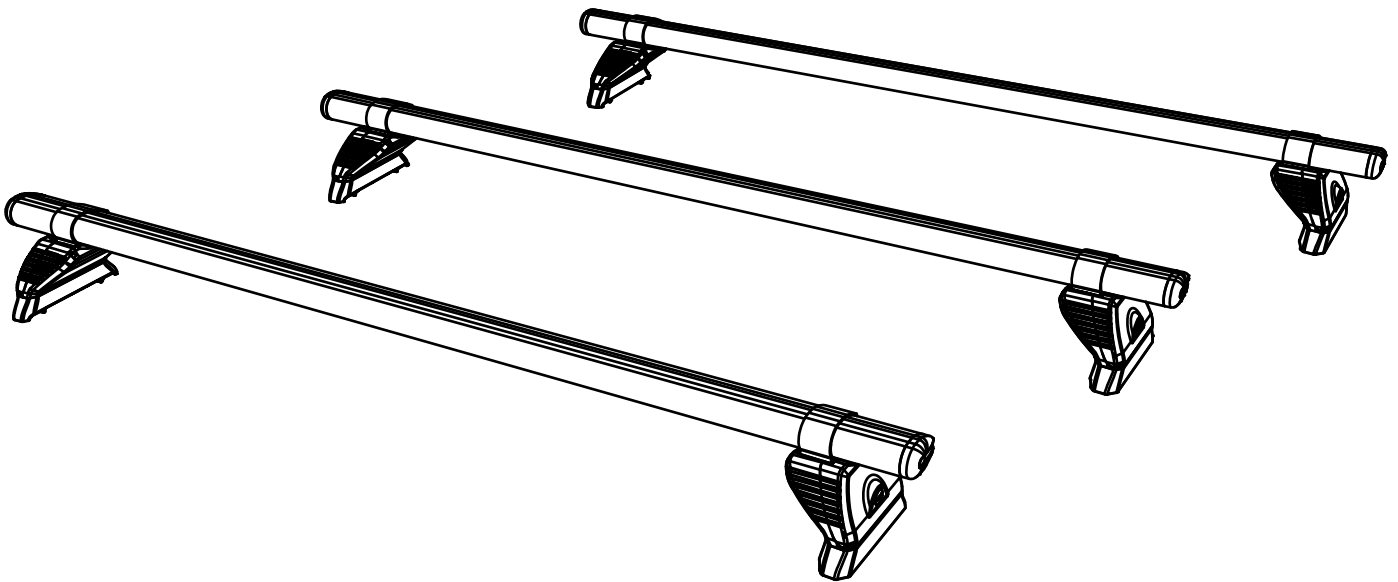


QA3PR/FL

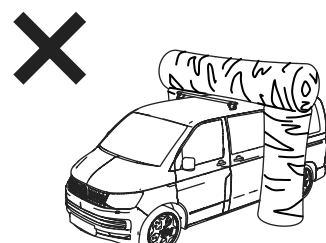
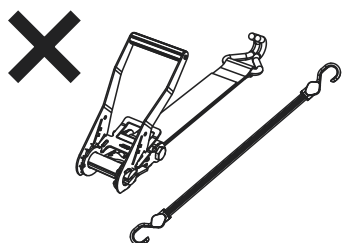
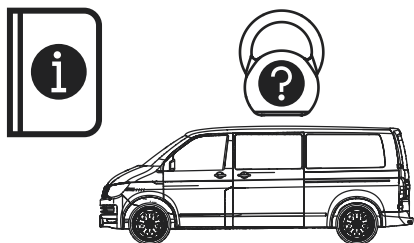
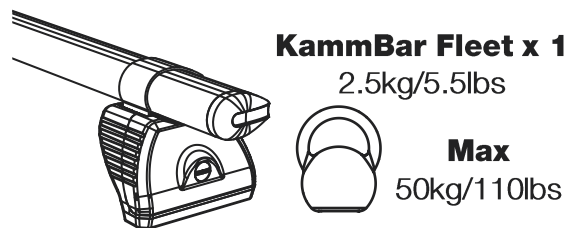
KammBar

Instructions

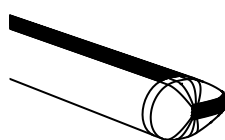


CITY CRASH (✓)

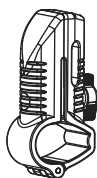
According to ISO/ PAS 11154:2006



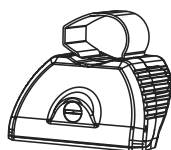
KammBar Pro



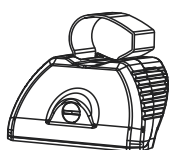
SA421 x 3



SA070 x 4

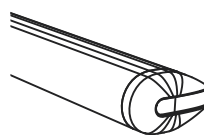


SA397 x 3

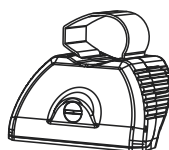


SA398 x 3

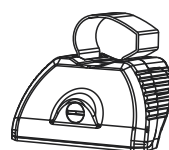
KammBar Fleet



SA395 x 3

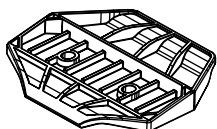


SA397 x 3

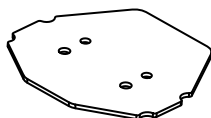


SA398 x 3

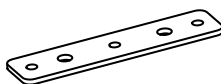
Fitting Kit



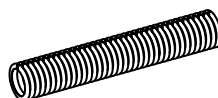
PS177 x 6



PS196 x 6



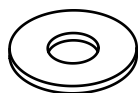
PS082 x 6



PS133-150 x 1



PS064 x 1



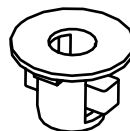
FW002
(M8) x 12



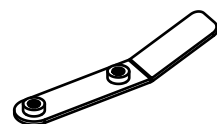
FW001
(M6) x 12



FN006
(M8) x 12



FN003
(M6) x 12



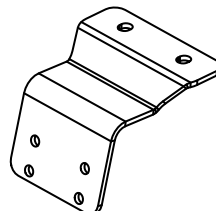
SA013 x 4



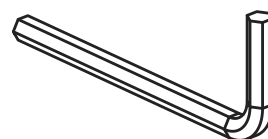
FS066
(M8 x 40) x 12



FS001
(M6 x 20) x 12

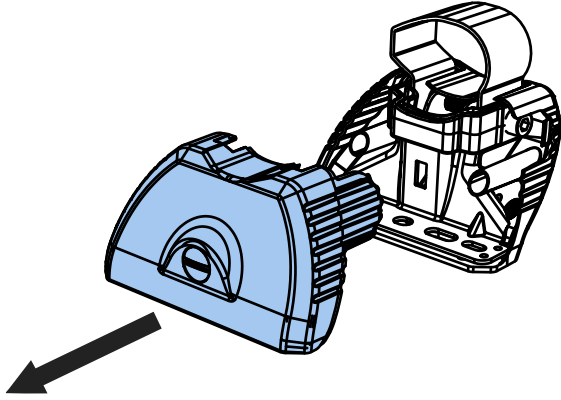


MS267 x 6

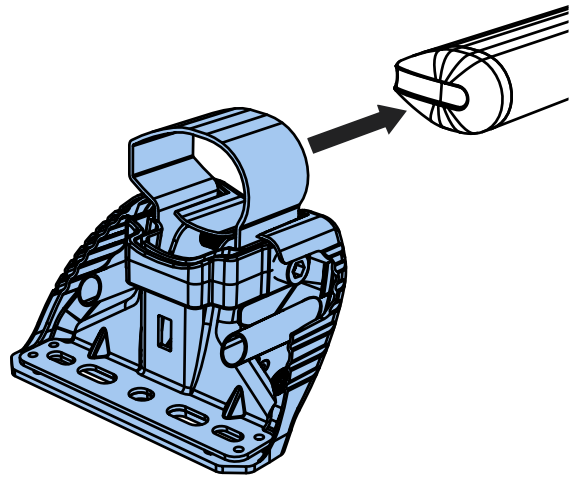


FT01 x 2

1.



2.



3.



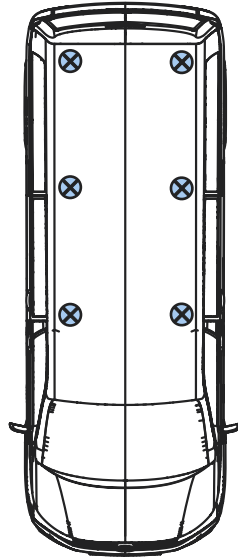
SA397
PS177



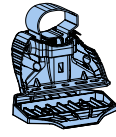
SA397
PS177



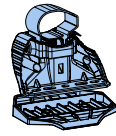
SA397
PS177



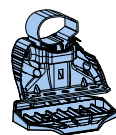
SA398
PS177



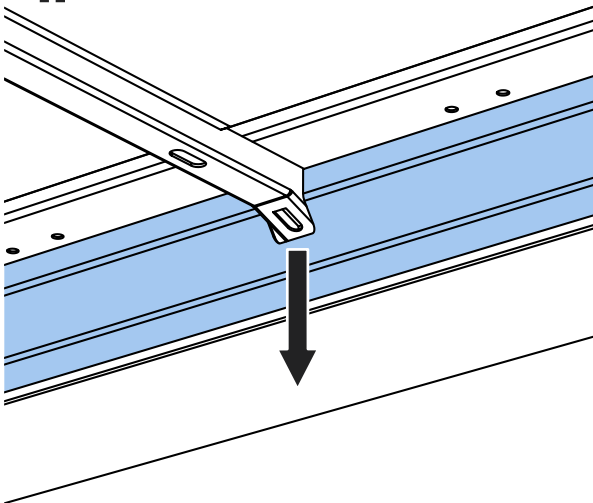
SA398
PS177



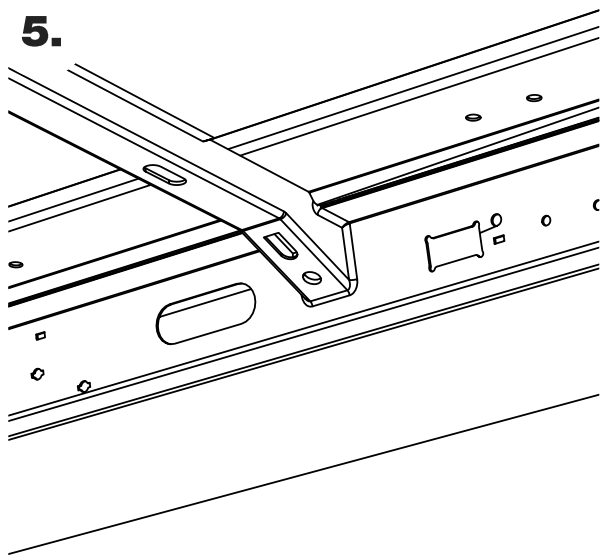
SA398
PS177

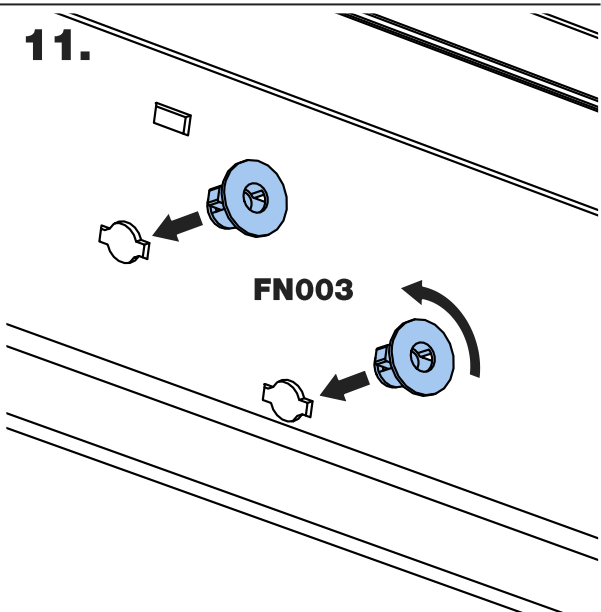
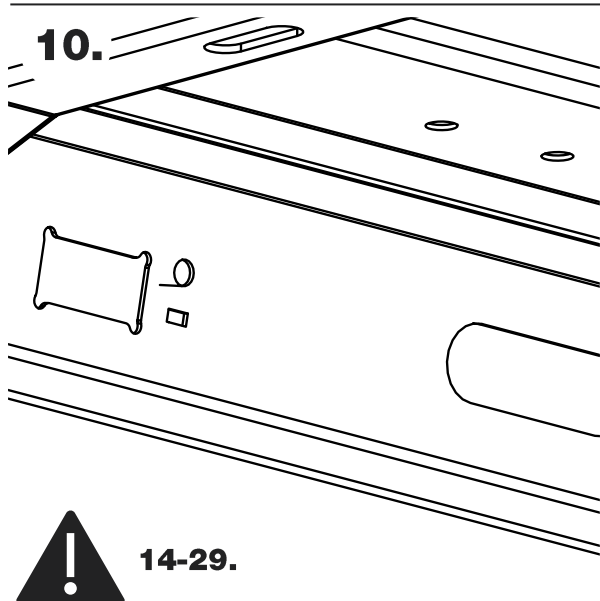
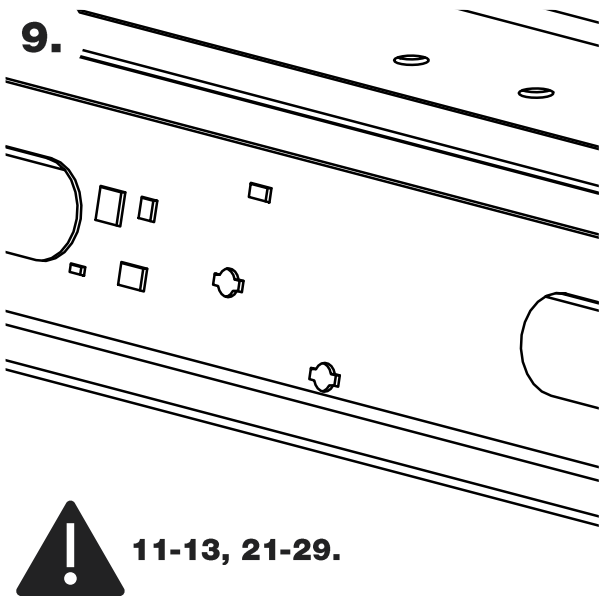
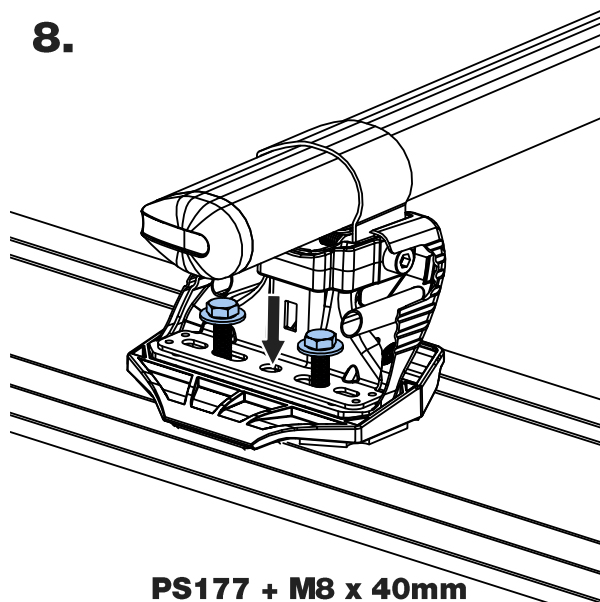
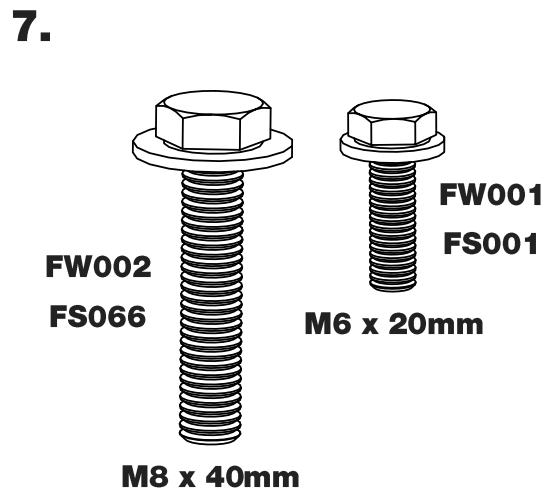
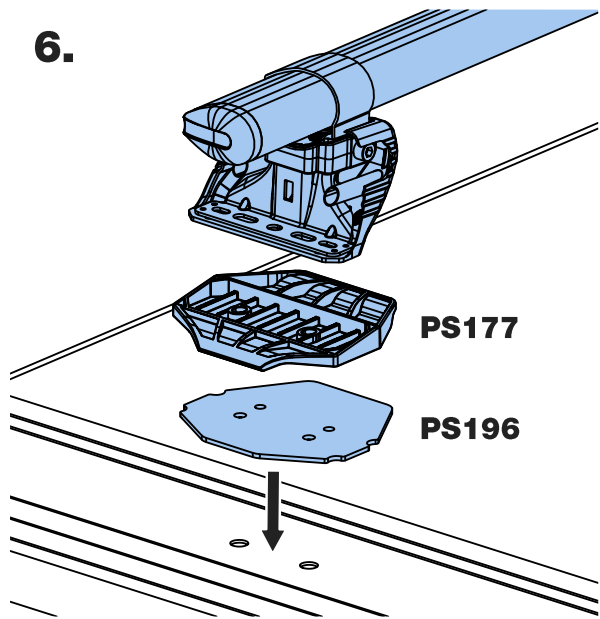


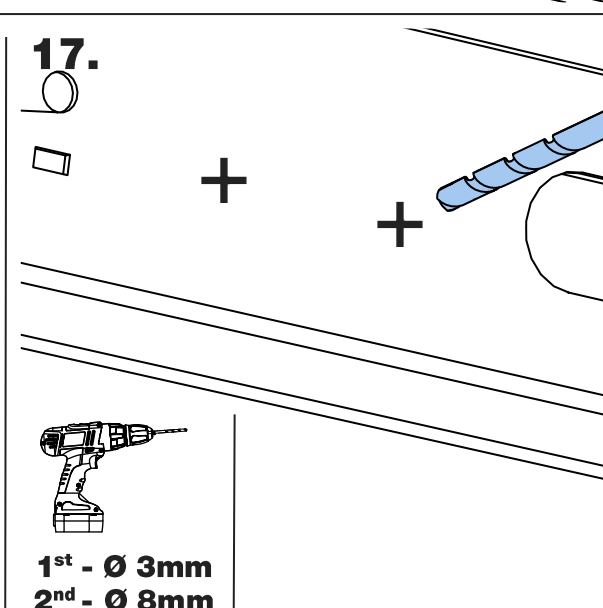
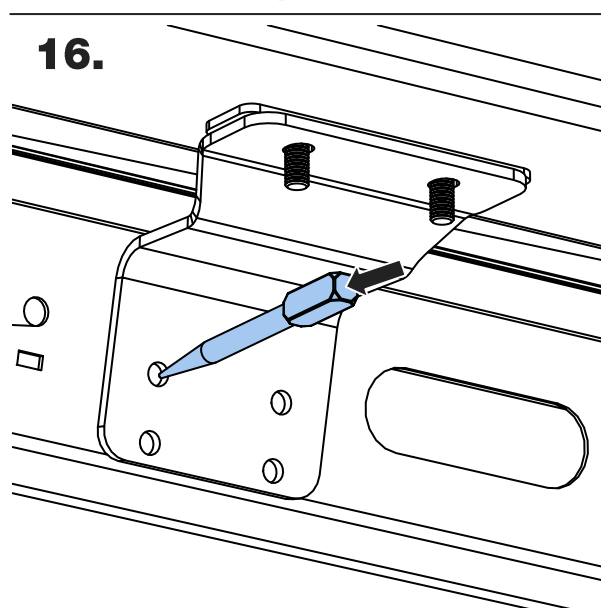
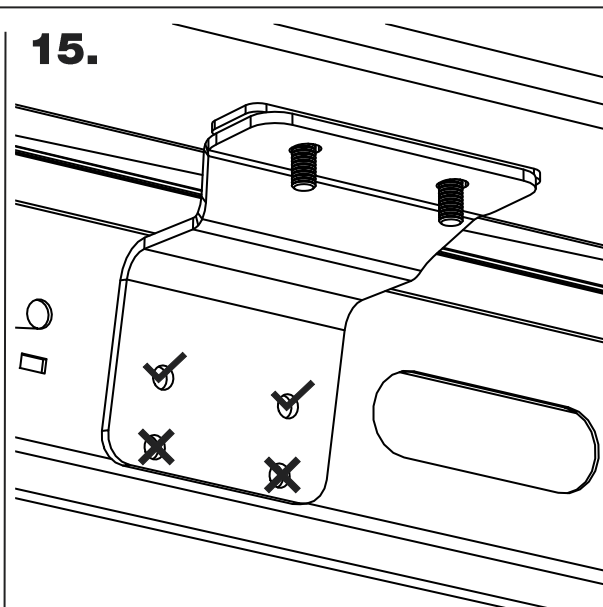
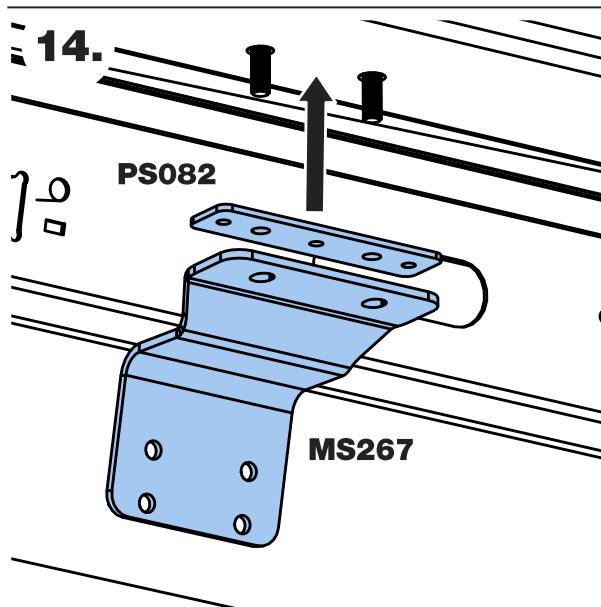
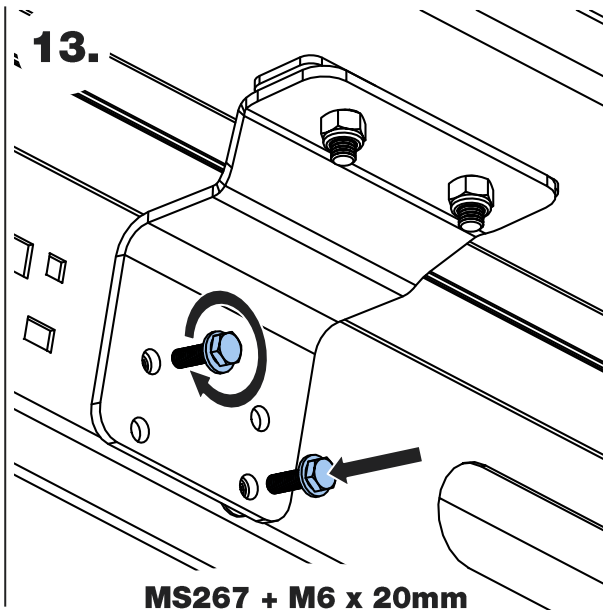
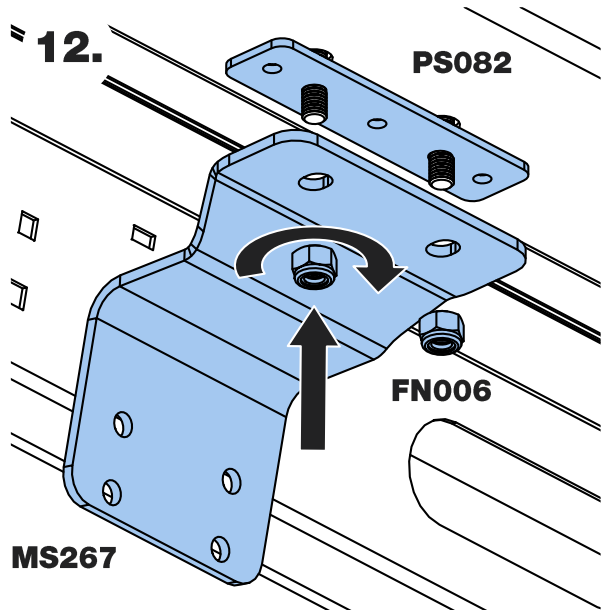
4.

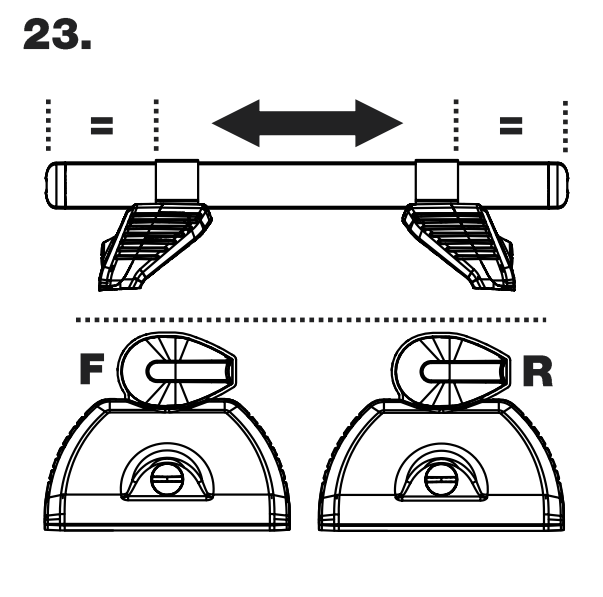
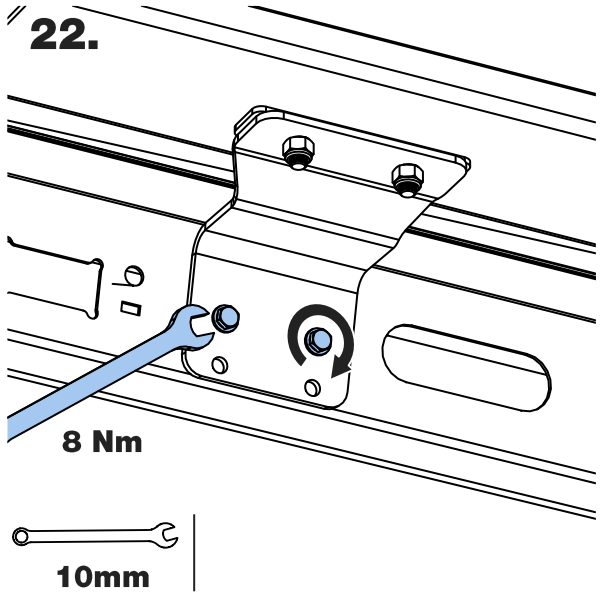
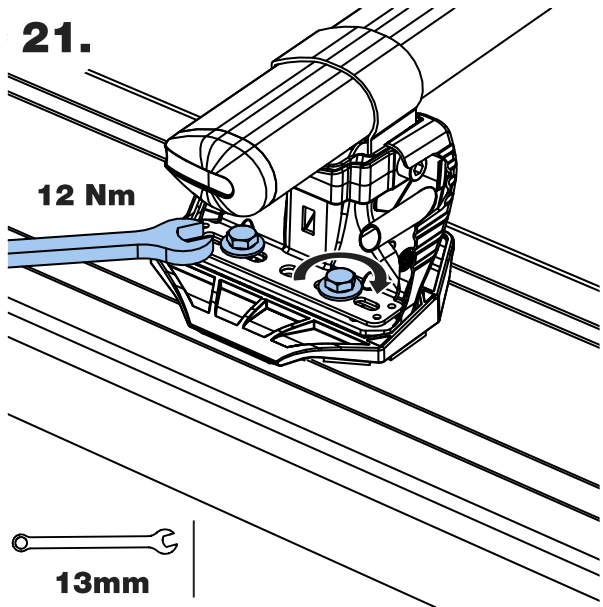
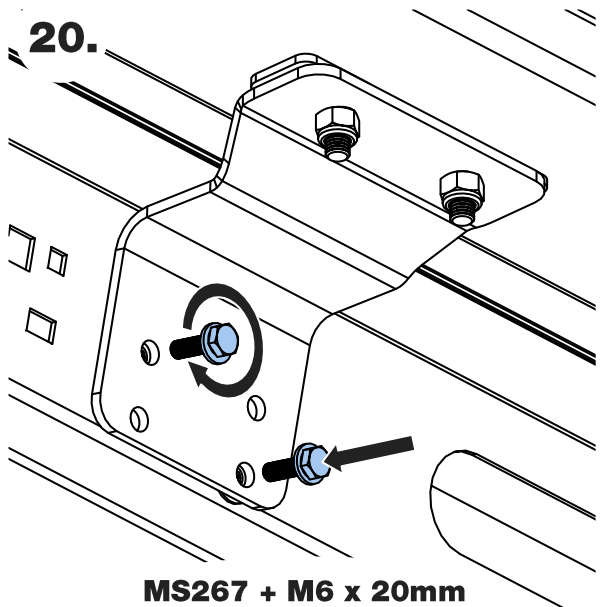
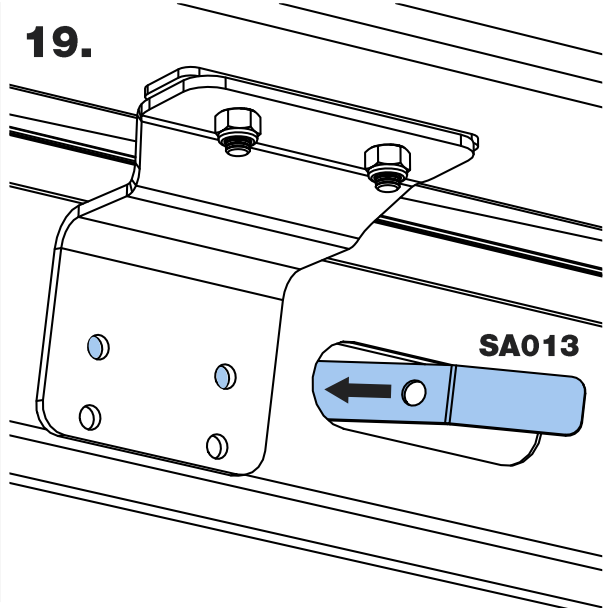
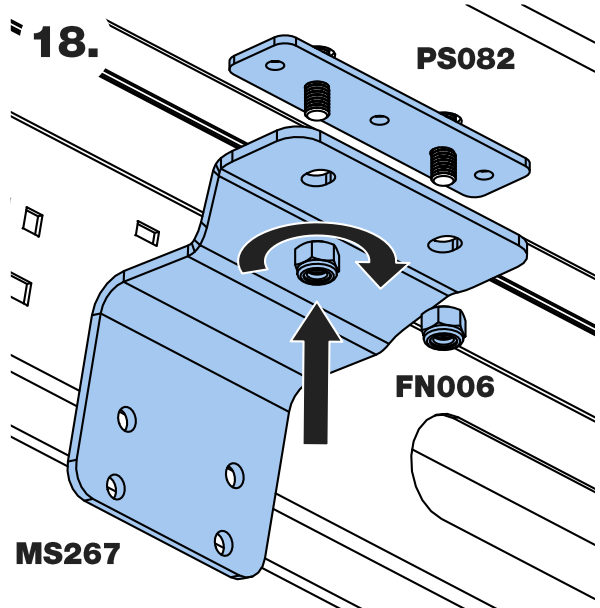


5.

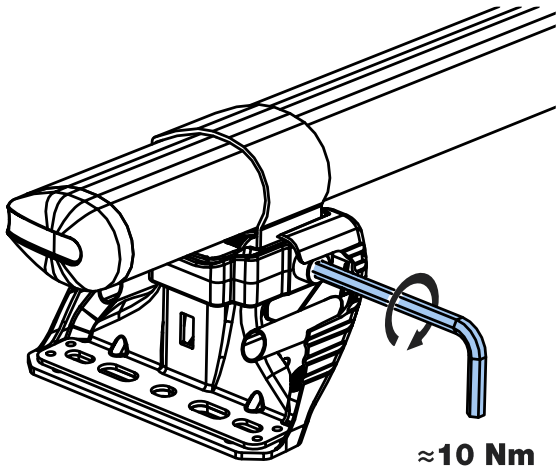




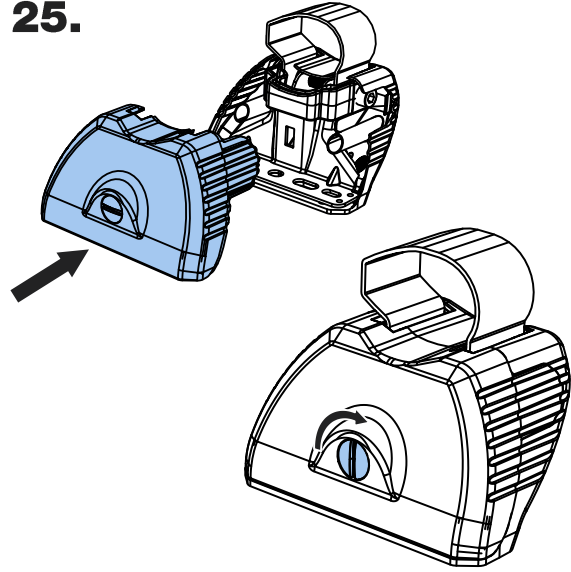




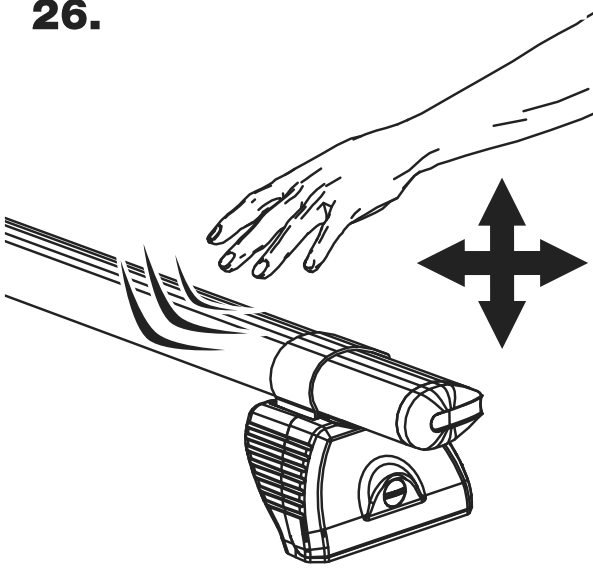
24.



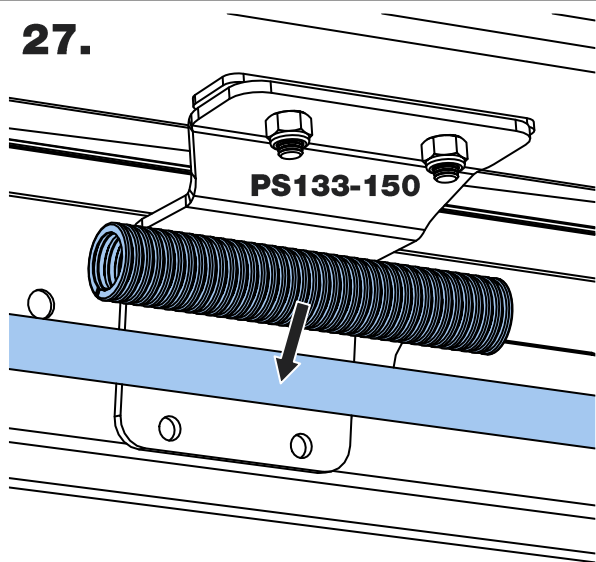
25.



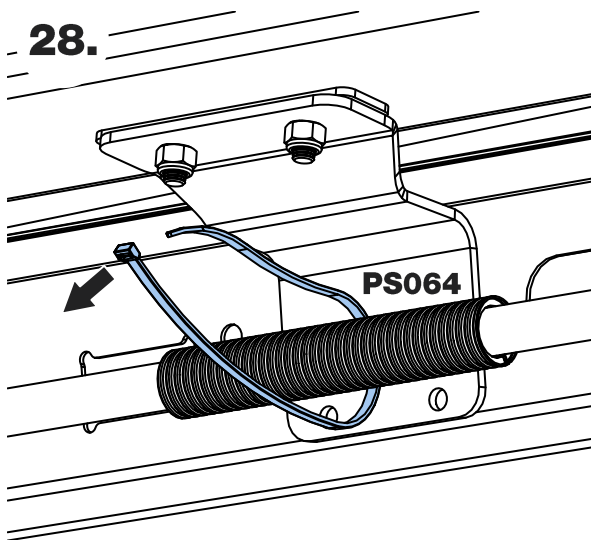
26.



27.



28.



29.

