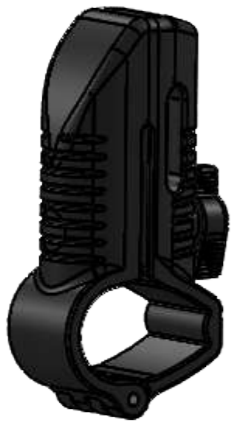




SA055 x 2



SA056 x 2



SA070 x 4



PS183 x 4



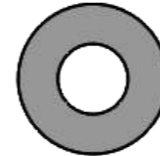
PS023 x 4



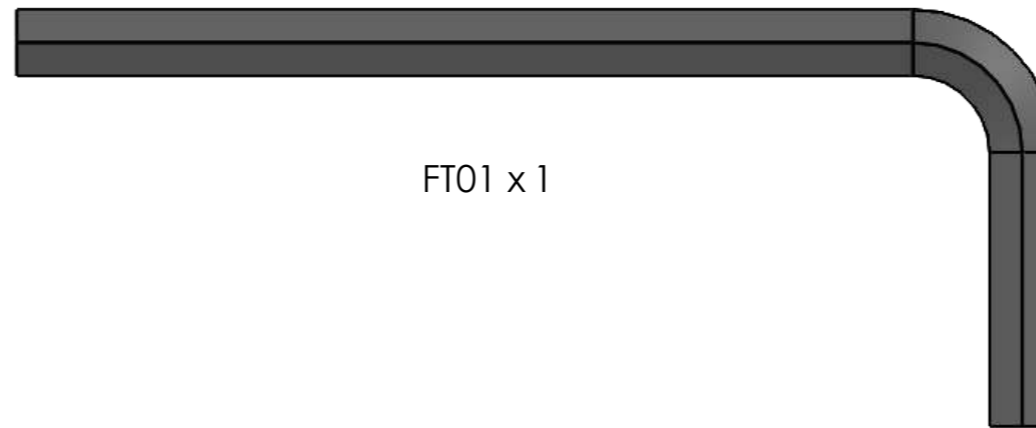
FS042(M6 x 40) x 4



FW008(M6) x 4



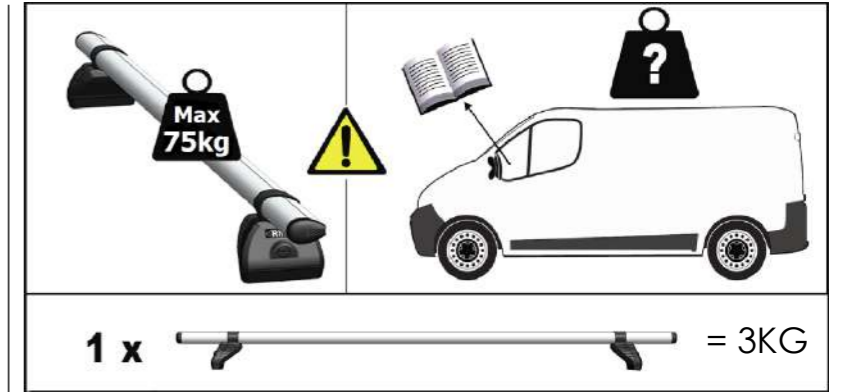
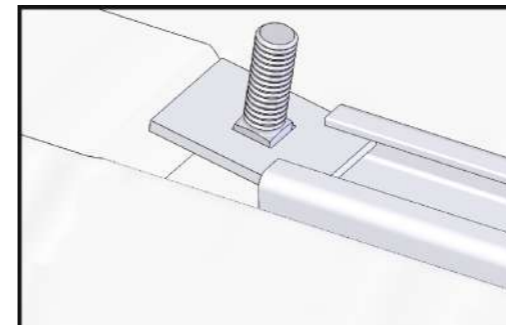
FW001(M6) x 4



FT01 x 1

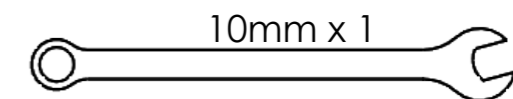


(FK863)



VW T5 2002 - 2015
VW T6 2015-

TYPE DESIGNATION FORM A



10mm x 1

