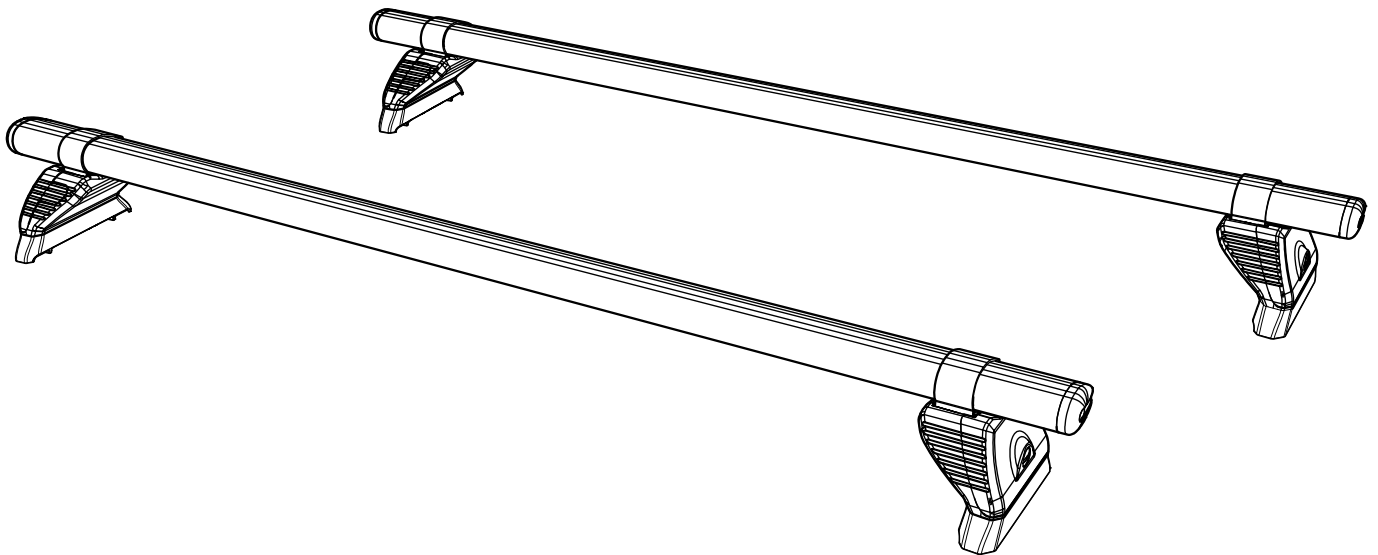


VA2PR/FL

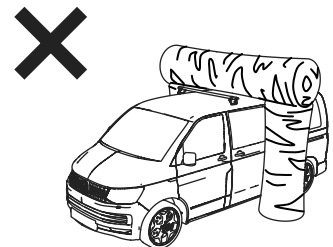
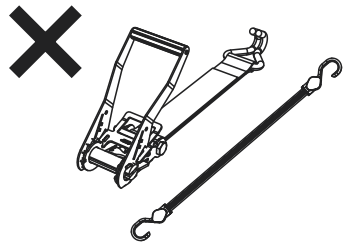
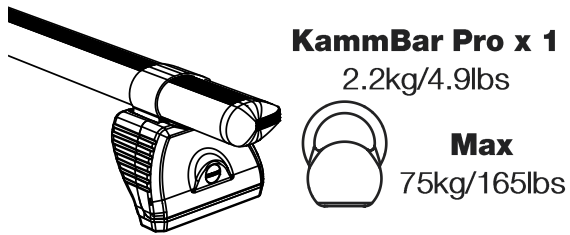
KammBar

Instructions

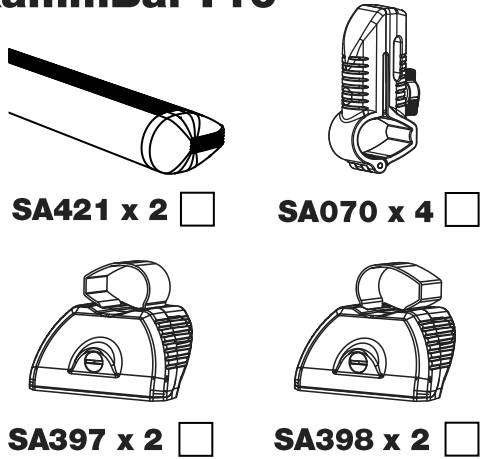


CITY CRASH (✓)

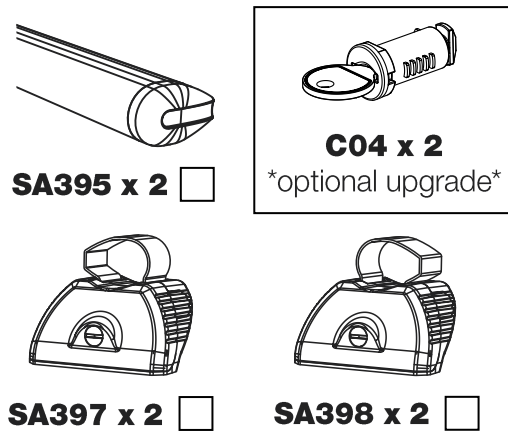
According to ISO/ PAS 11154:2006



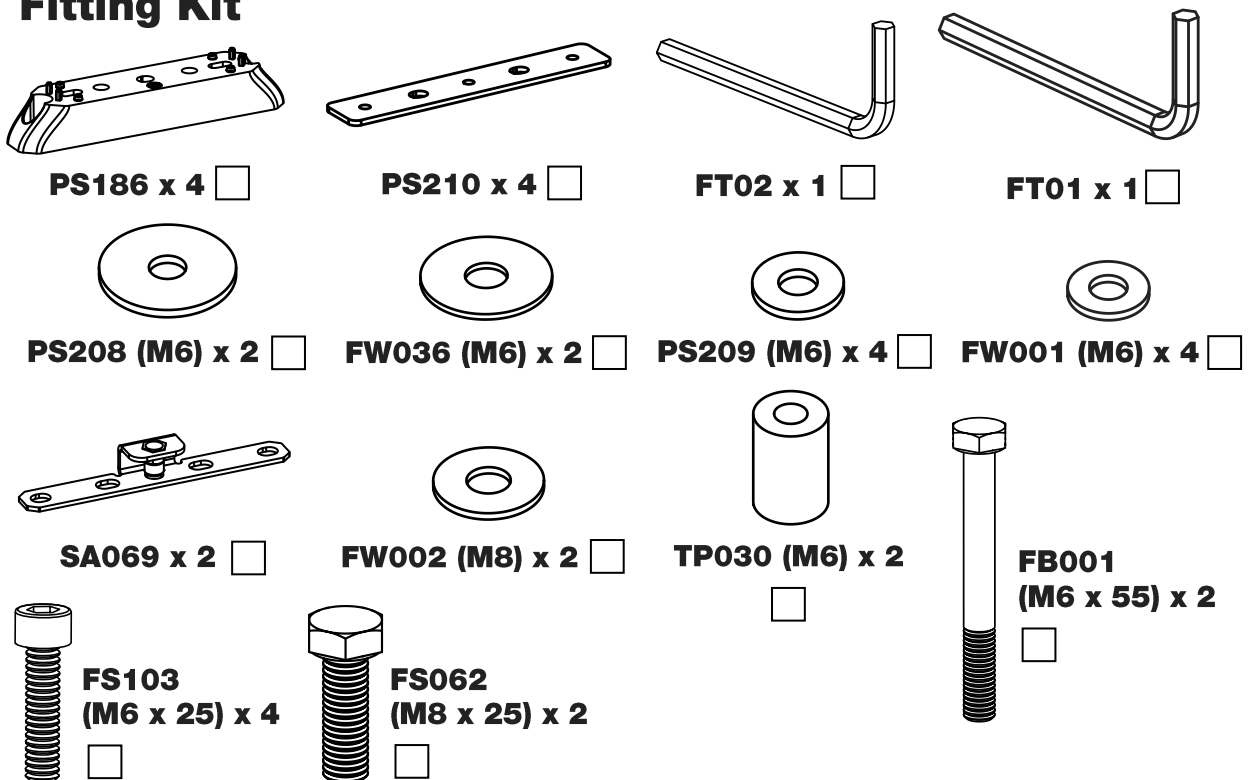
KammBar Pro



KammBar Fleet



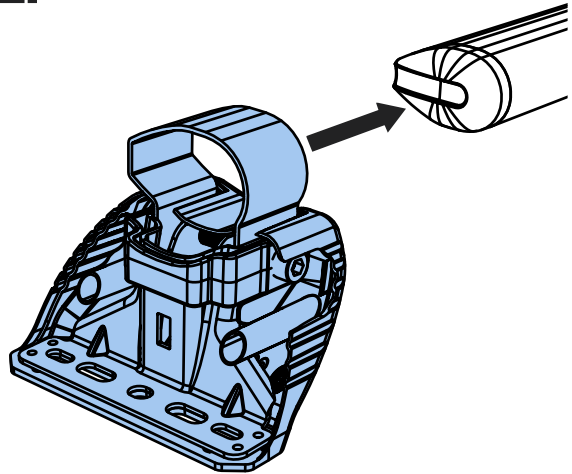
Fitting Kit



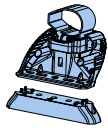
1.



2.



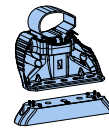
3.



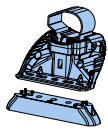
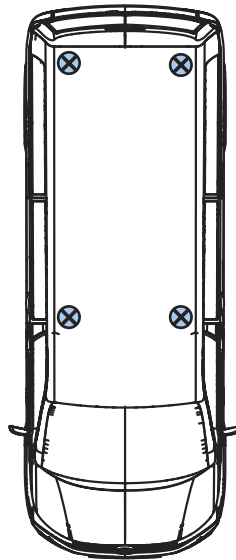
SA397

PS186

SA398



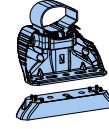
PS186



SA397

PS186

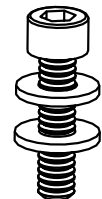
SA398



PS186

4.

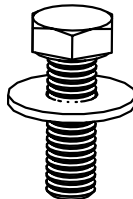
FS103



FW001
PS209

M6 x 25mm

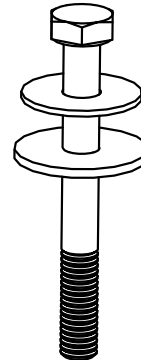
FS062



FW002

M8 x 25mm

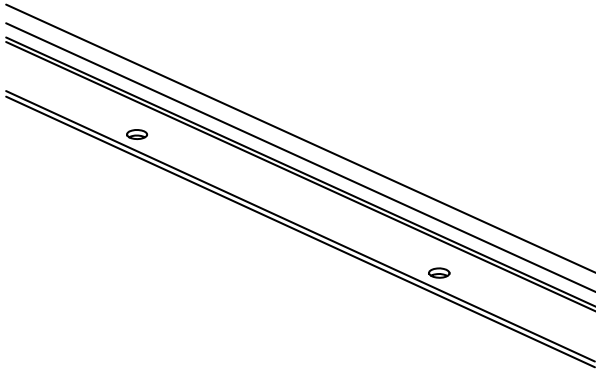
FB001



FW036
PS208

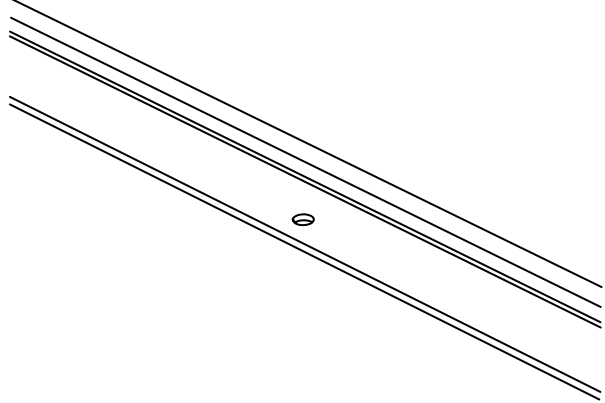
M6 x 55mm

5.



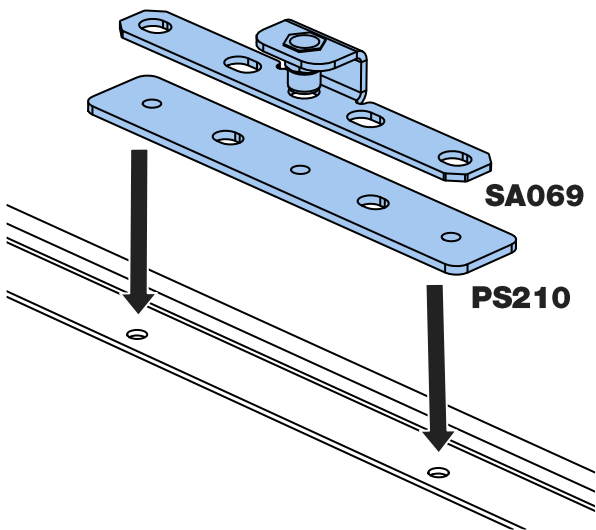
7-13, 17-20.

6.

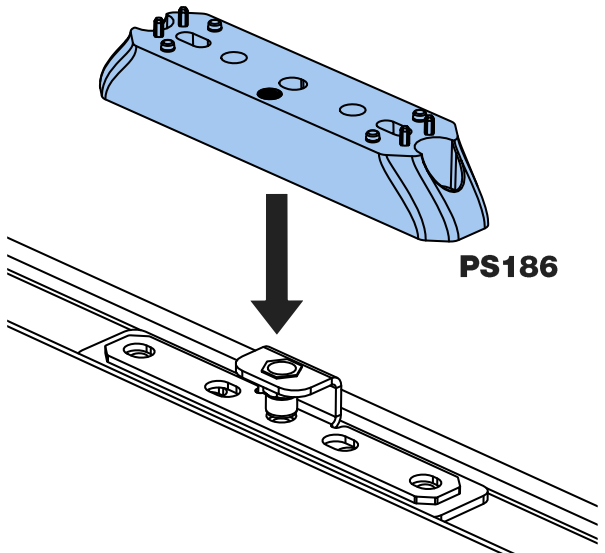


14-20.

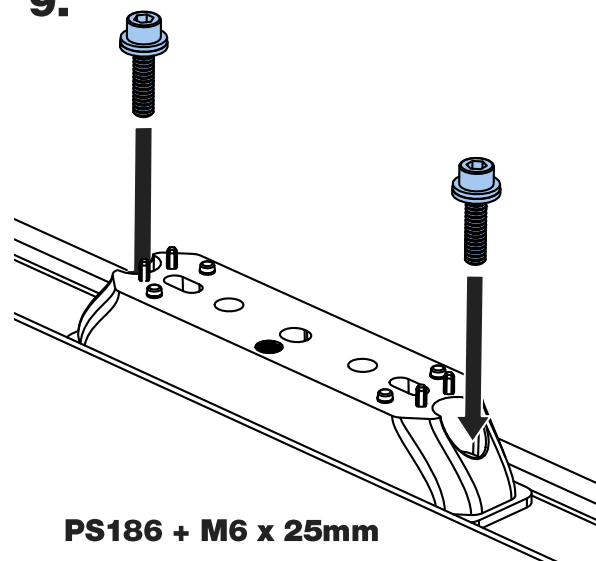
7.



8.

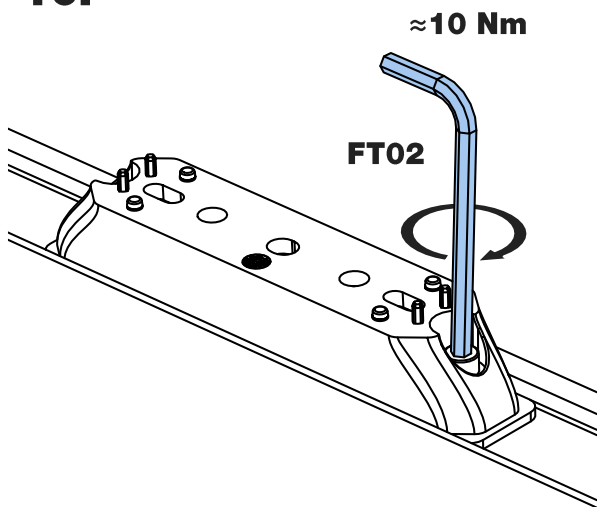


9.



PS186 + M6 x 25mm

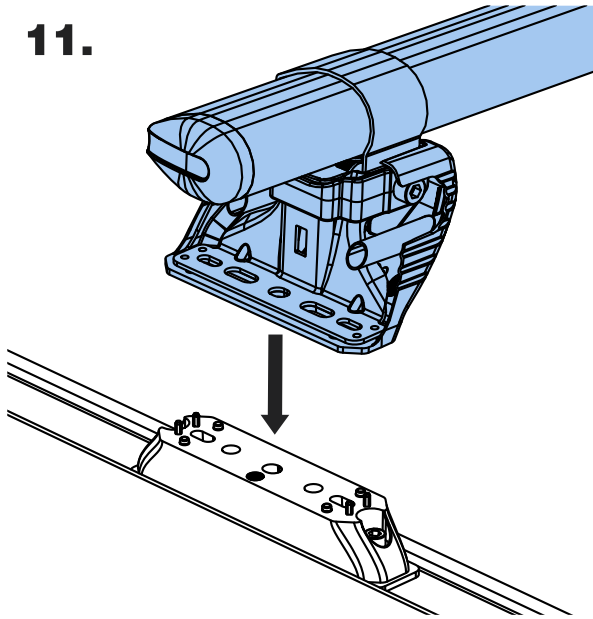
10.



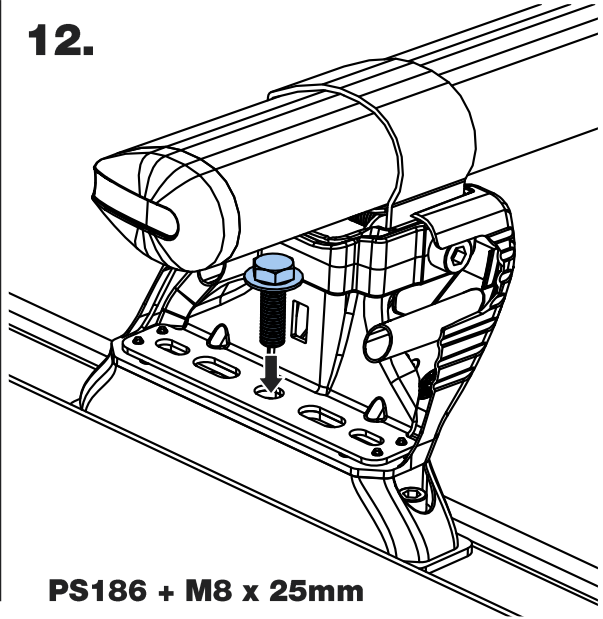
≈ 10 Nm

FT02

11.

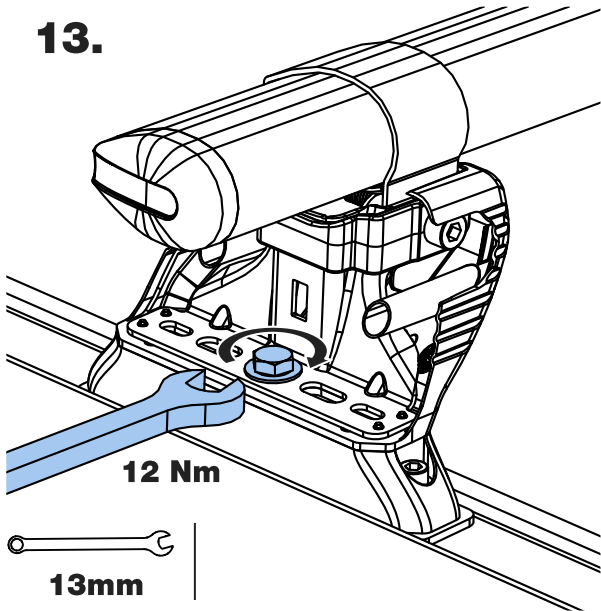


12.



PS186 + M8 x 25mm

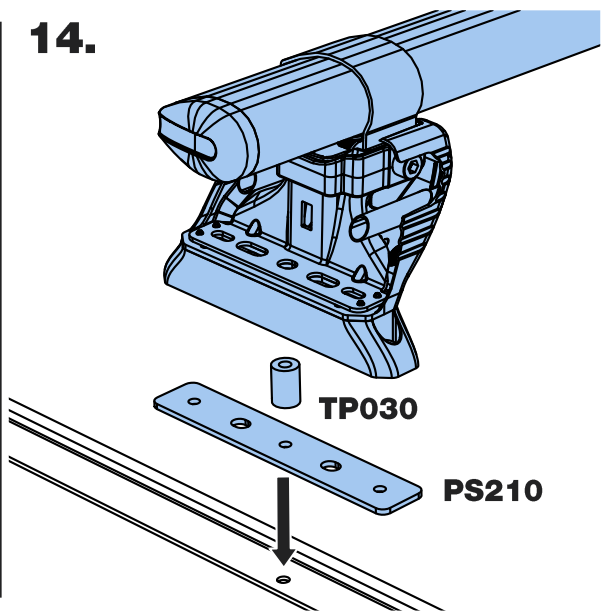
13.



12 Nm

13mm

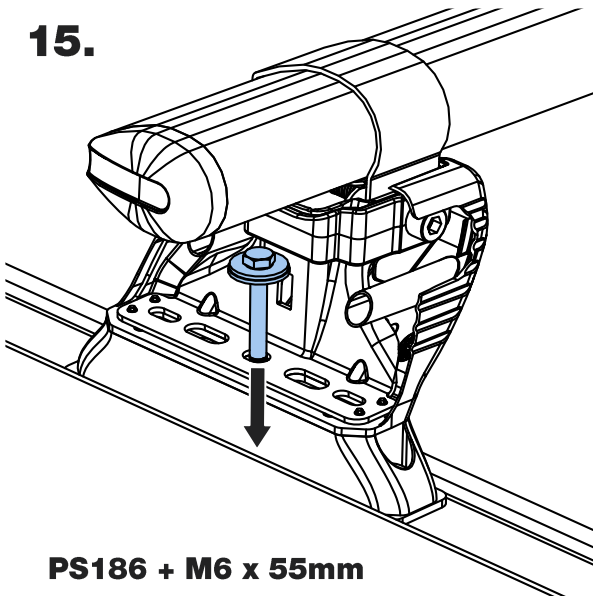
14.



TP030

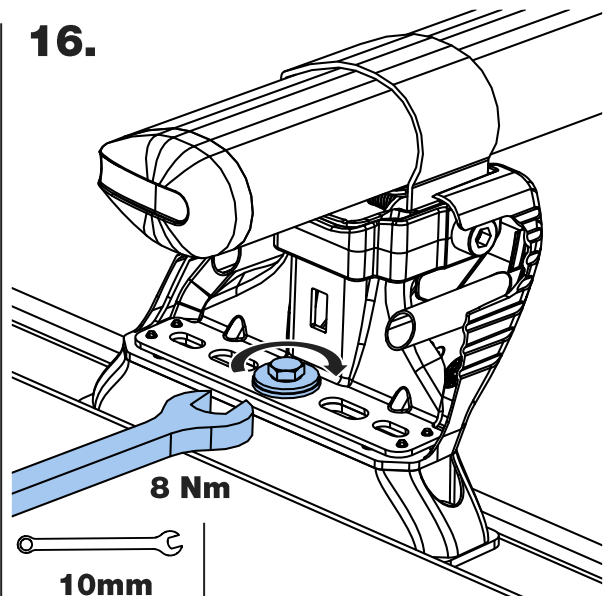
PS210

15.



PS186 + M6 x 55mm

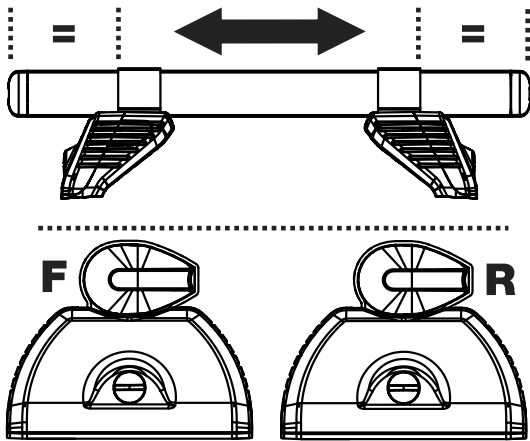
16.



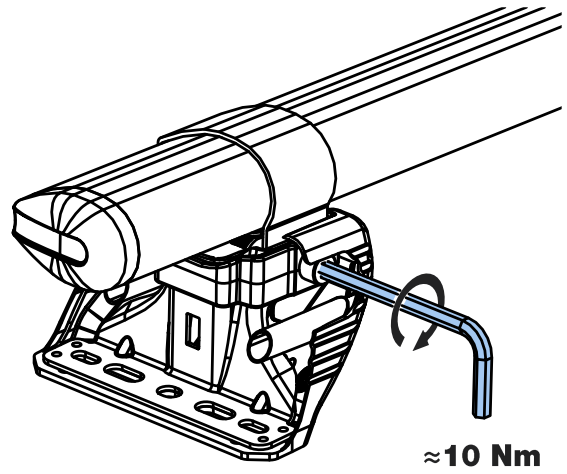
8 Nm

10mm

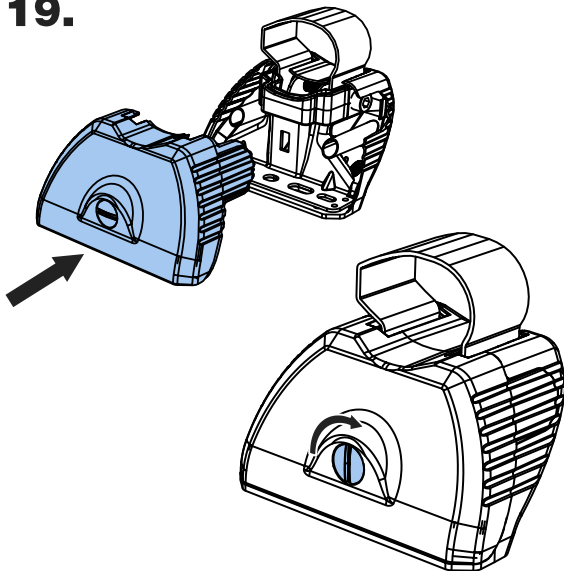
17.



18.



19.



20.

