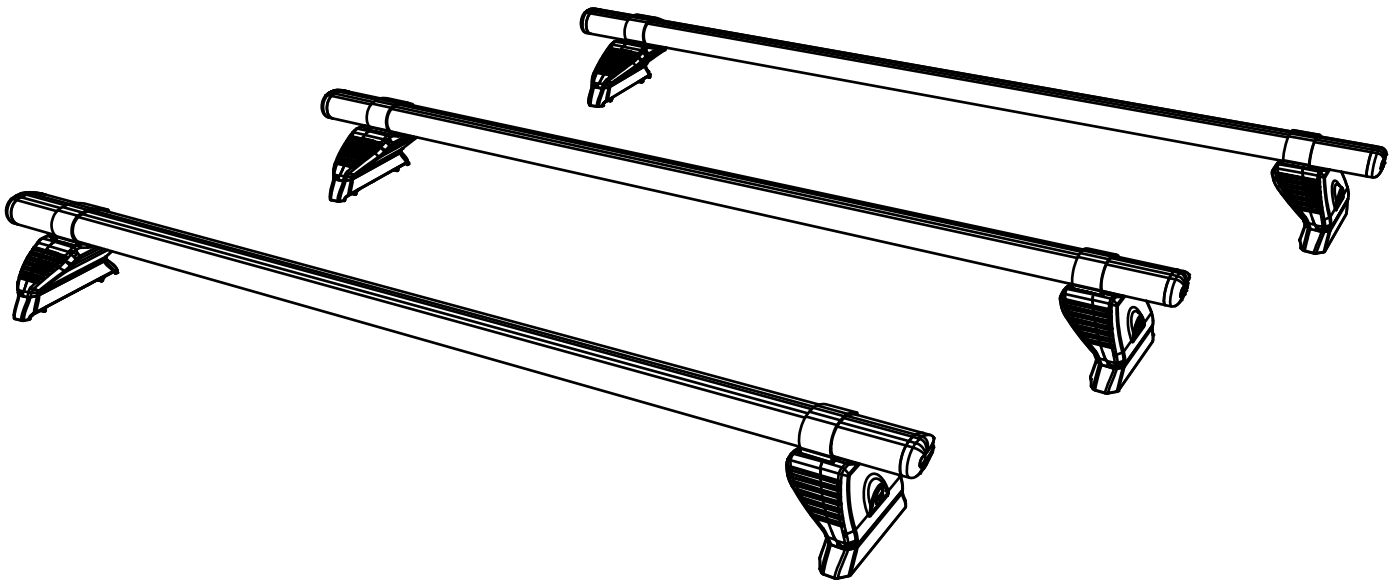


VA3PR/FL

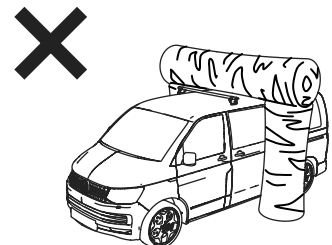
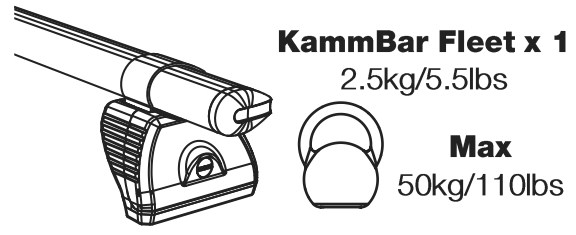
KammBar

Instructions

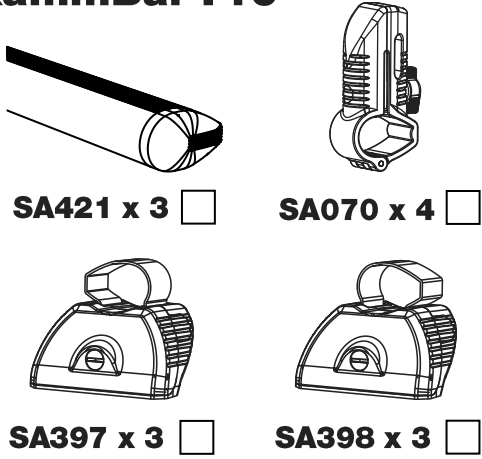


CITY CRASH (✓)

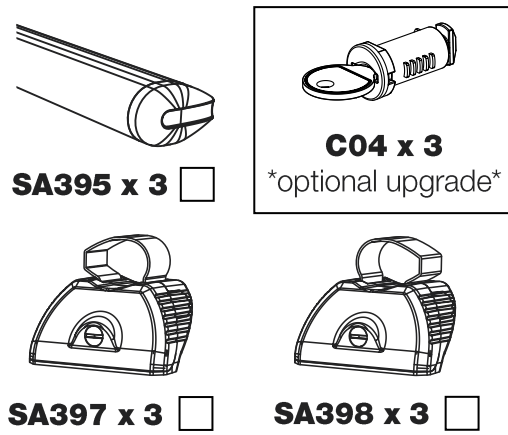
According to ISO/ PAS 11154:2006



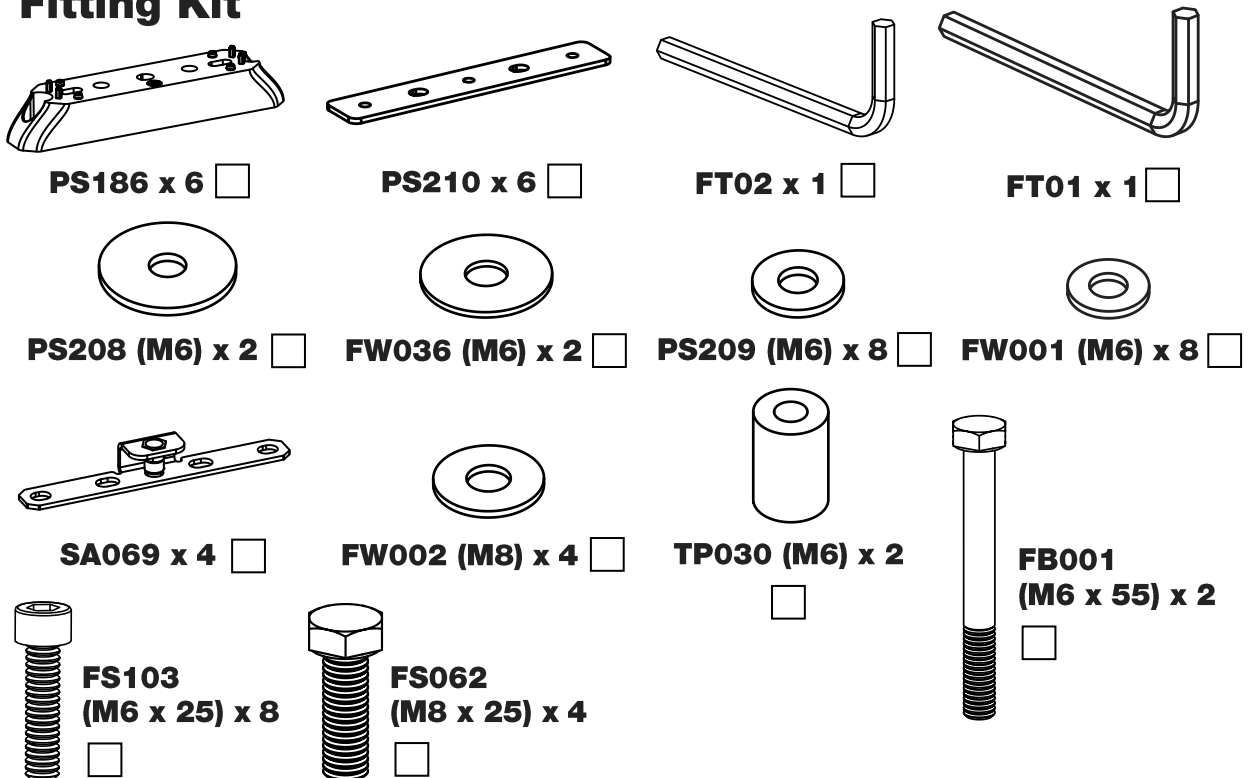
KammBar Pro



KammBar Fleet



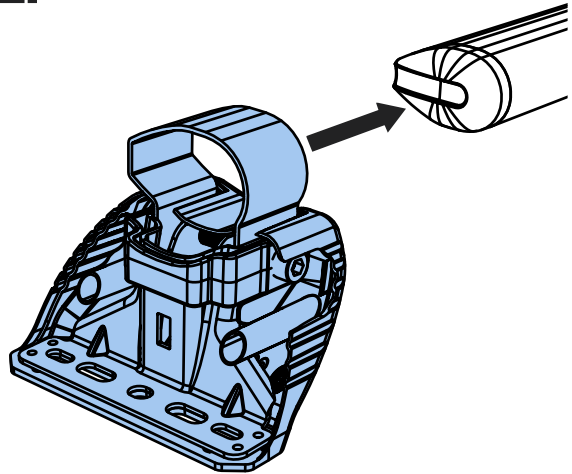
Fitting Kit



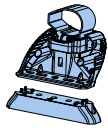
1.



2.

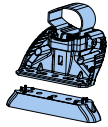


3.



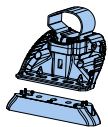
SA397

PS186



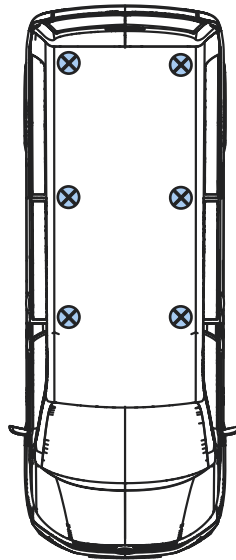
SA397

PS186

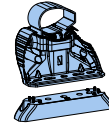


SA397

PS186

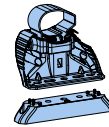


SA398



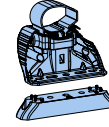
PS186

SA398



PS186

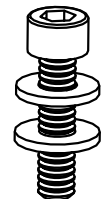
SA398



PS186

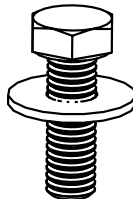
4.

FS103



M6 x 25mm

FS062



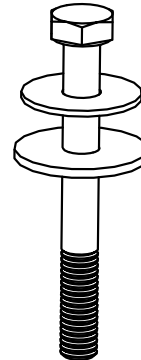
M8 x 25mm

FW001
PS209

FW002

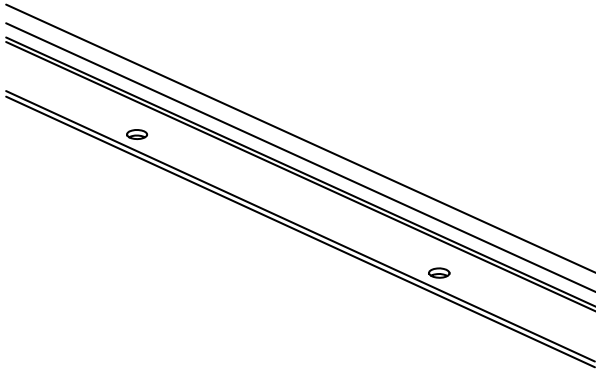
FW036
PS208

FB001



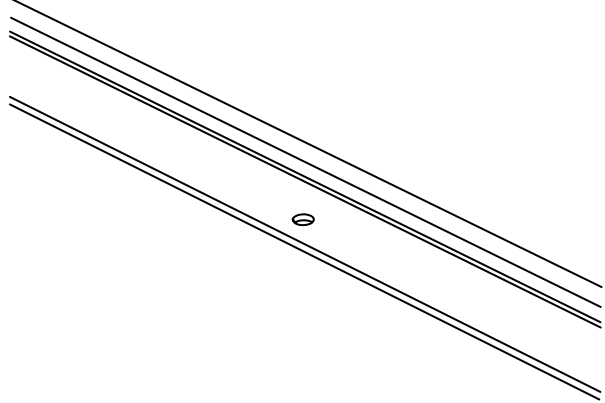
M6 x 55mm

5.



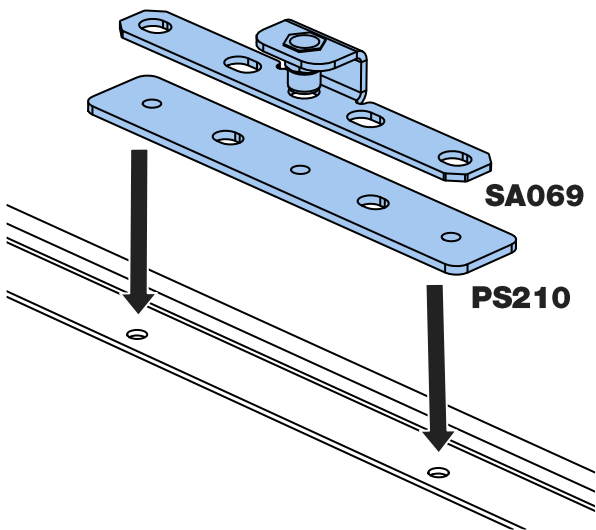
7-13, 17-20.

6.

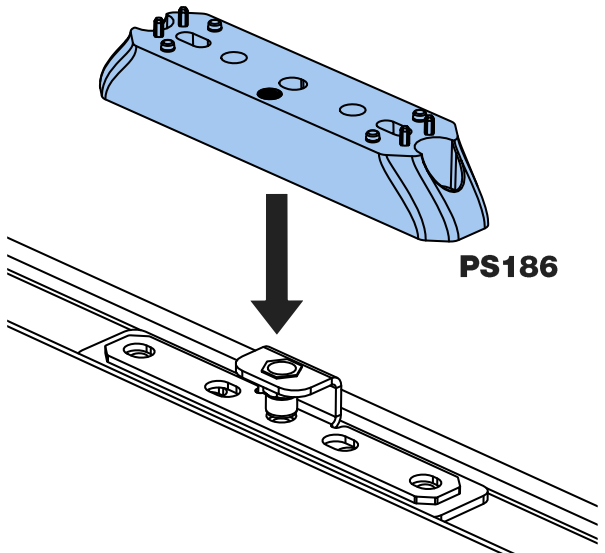


14-20.

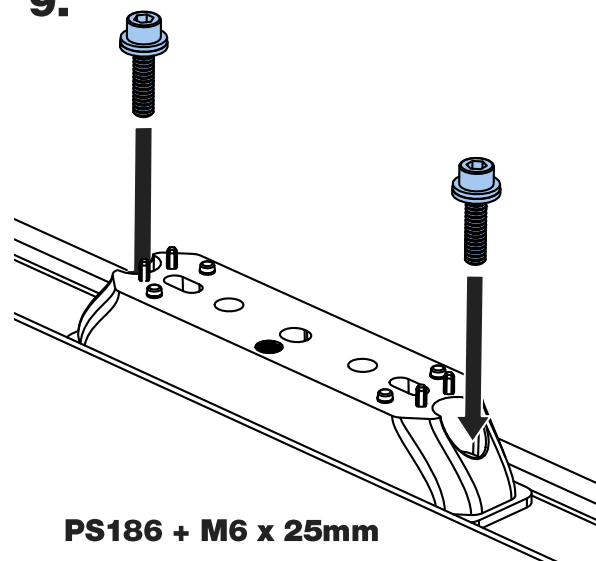
7.



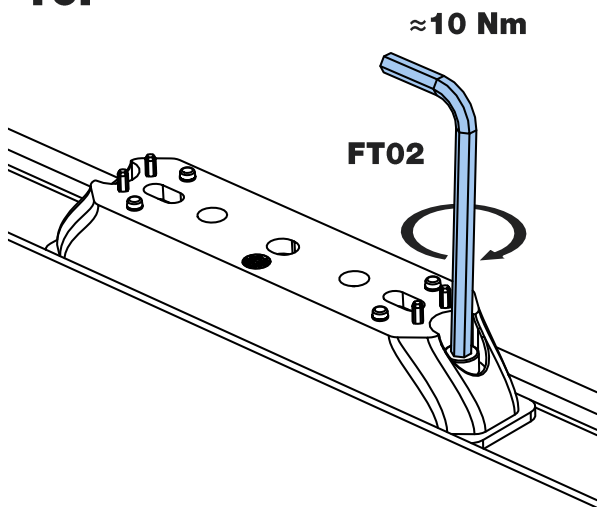
8.



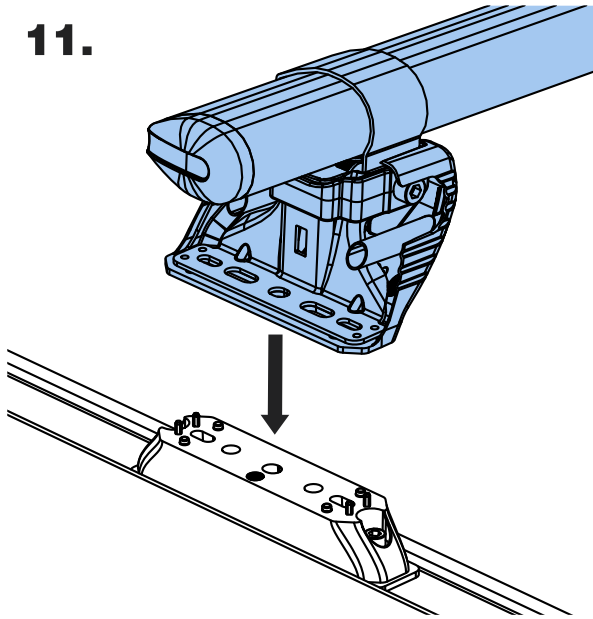
9.



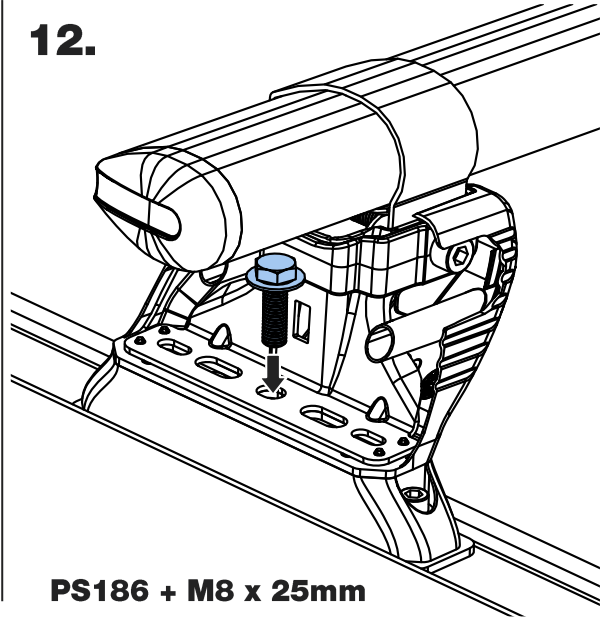
10.



11.

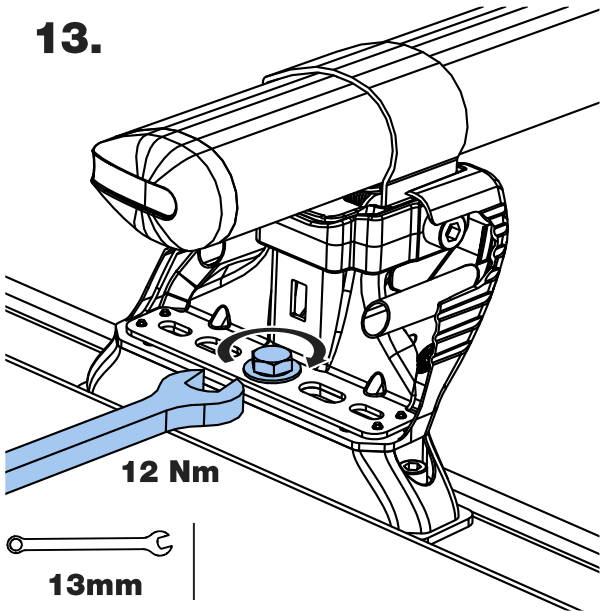


12.



PS186 + M8 x 25mm

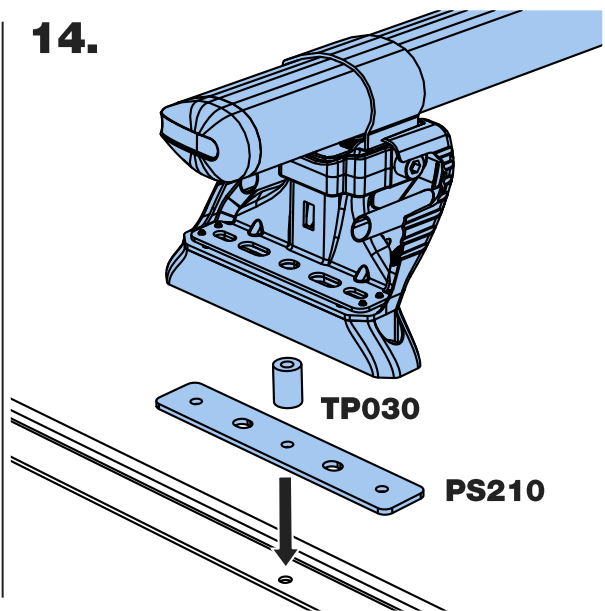
13.



12 Nm

13mm

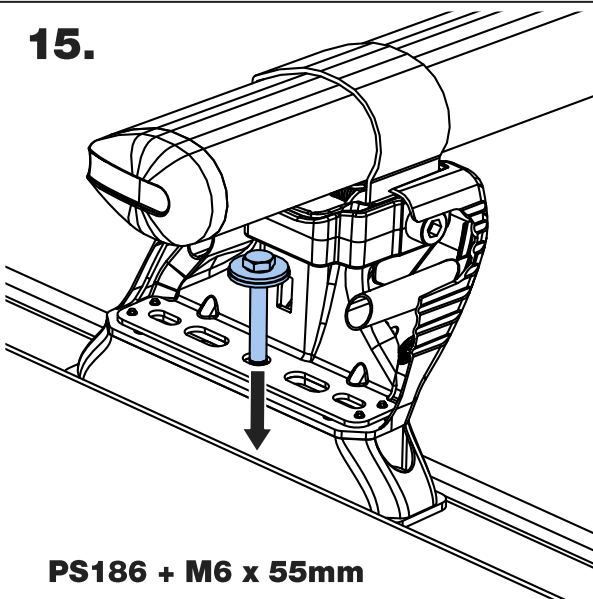
14.



TP030

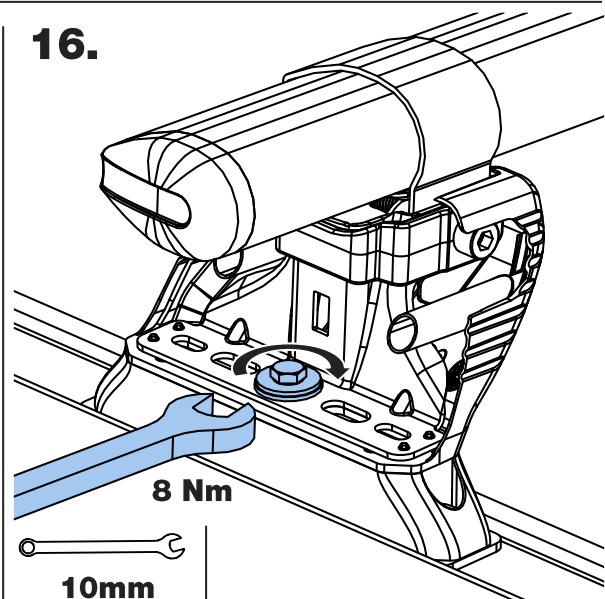
PS210

15.



PS186 + M6 x 55mm

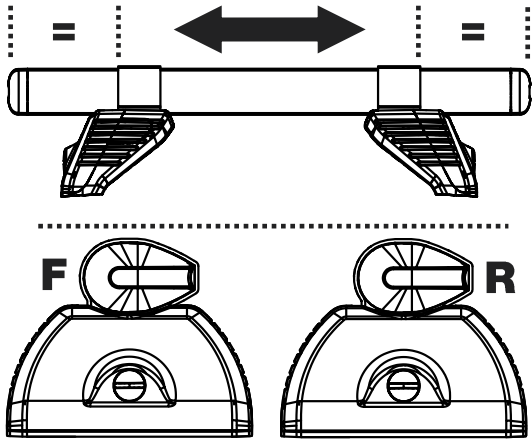
16.



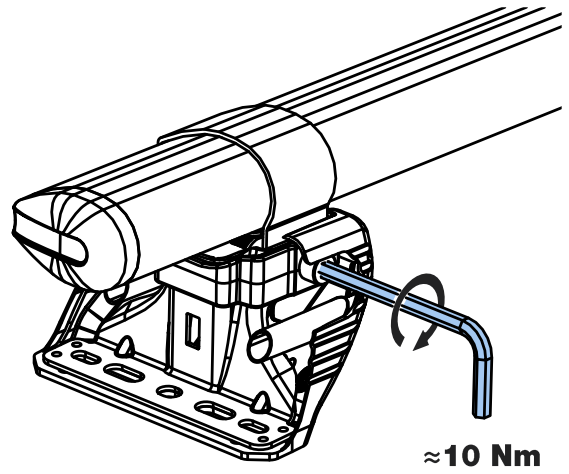
8 Nm

10mm

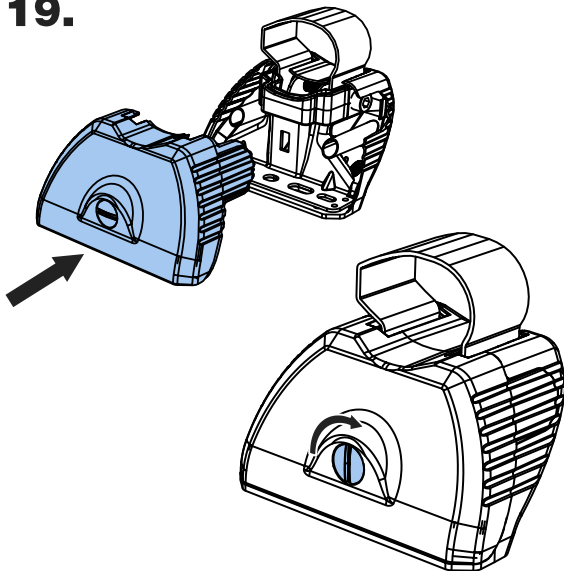
17.



18.



19.



20.

