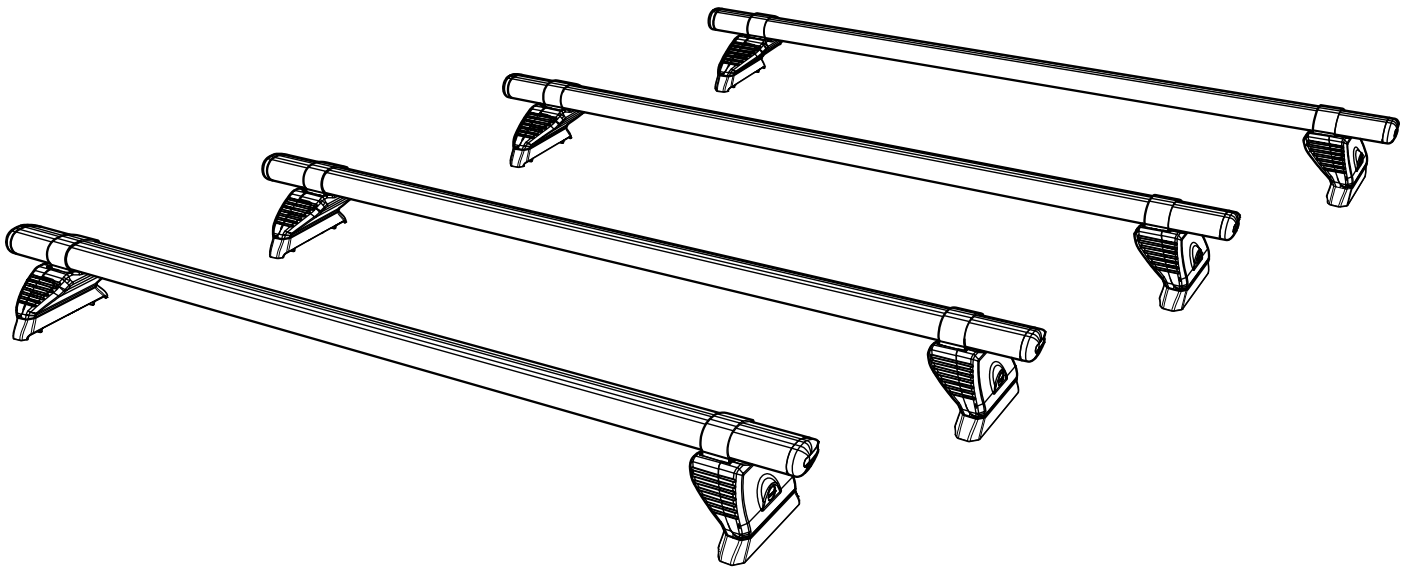


VA4PR/FL

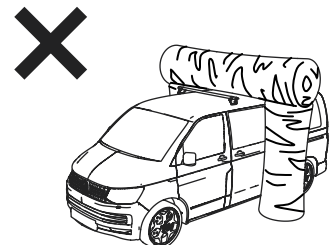
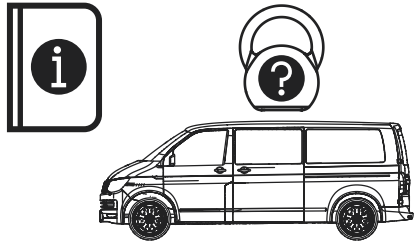
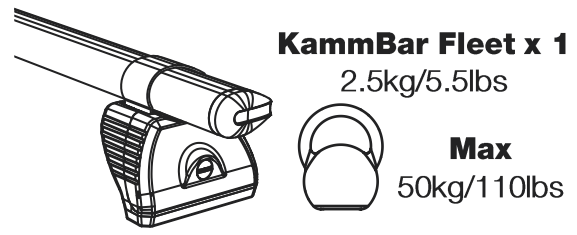
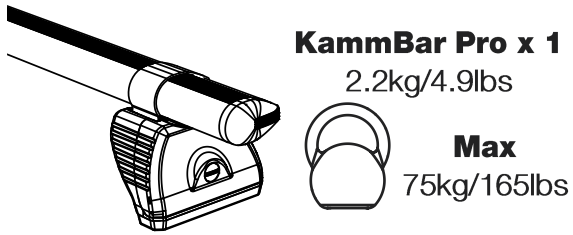
KammBar

Instructions

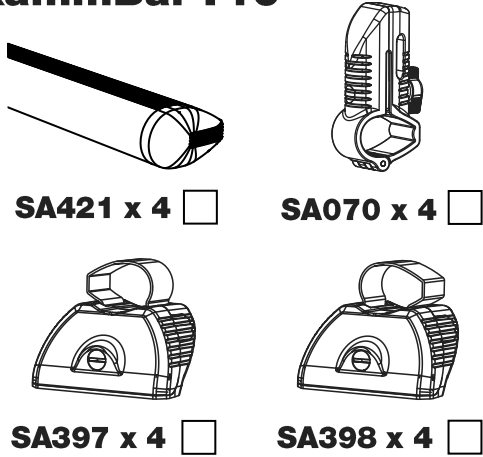


CITY CRASH (✓)

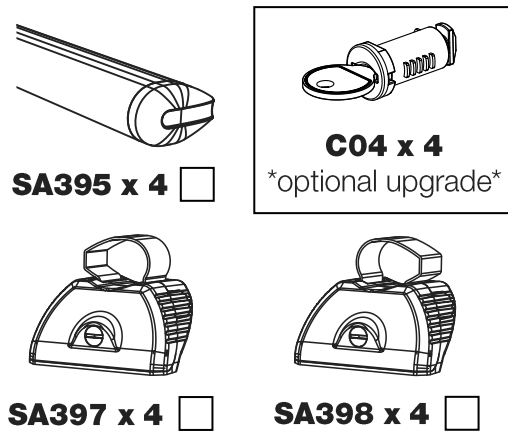
According to ISO/ PAS 11154:2006



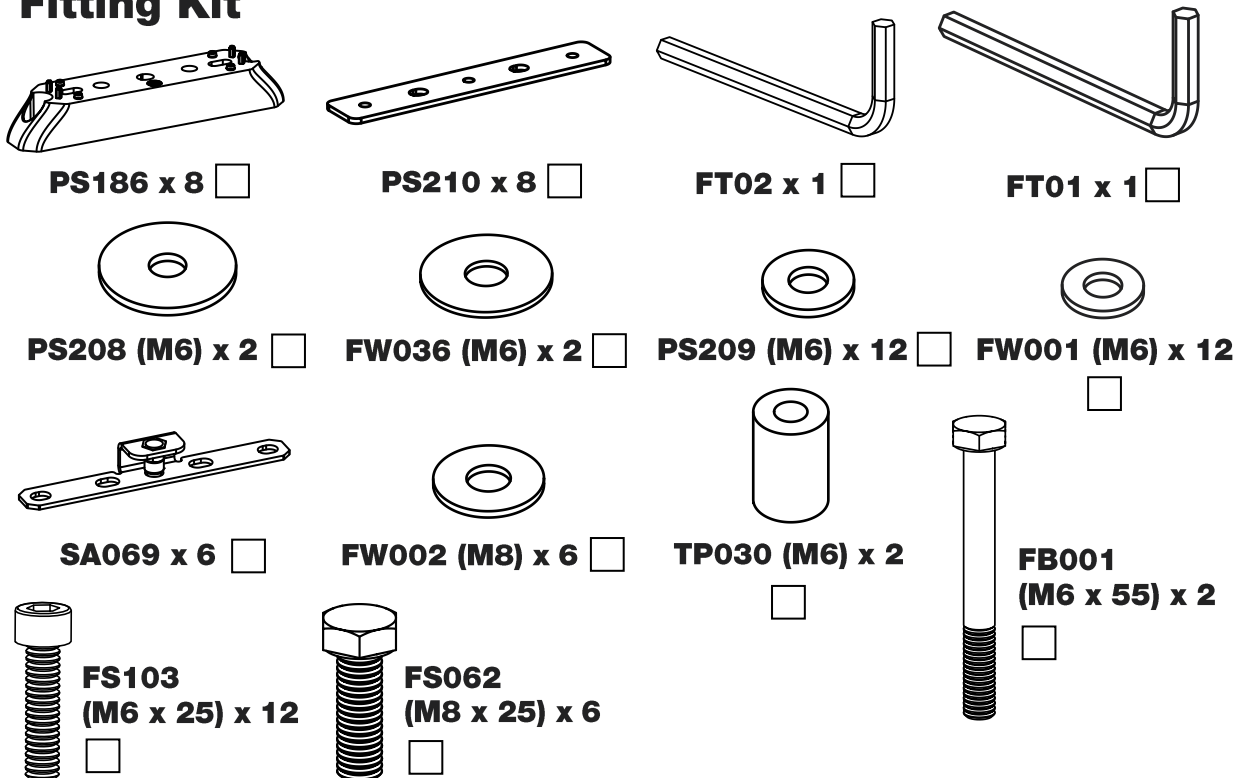
KammBar Pro



KammBar Fleet



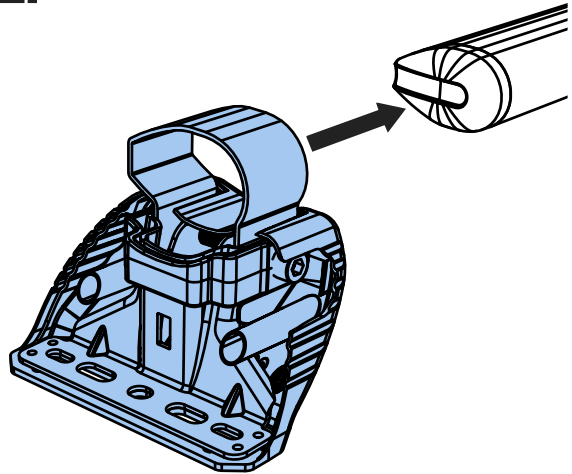
Fitting Kit



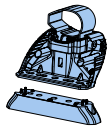
1.



2.



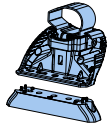
3.



SA397



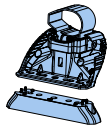
PS186



SA397



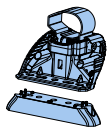
PS186



SA397



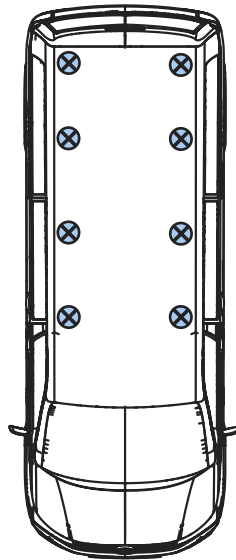
PS186



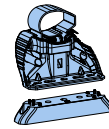
SA397



PS186

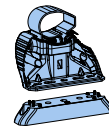


SA398



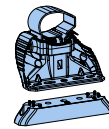
PS186

SA398



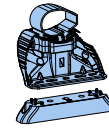
PS186

SA398



PS186

SA398



PS186

4.

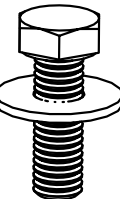
FS103



FW001
PS209

M6 x 25mm

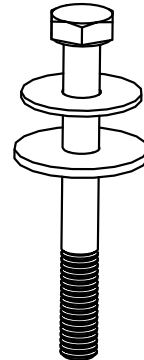
FS062



FW002

M8 x 25mm

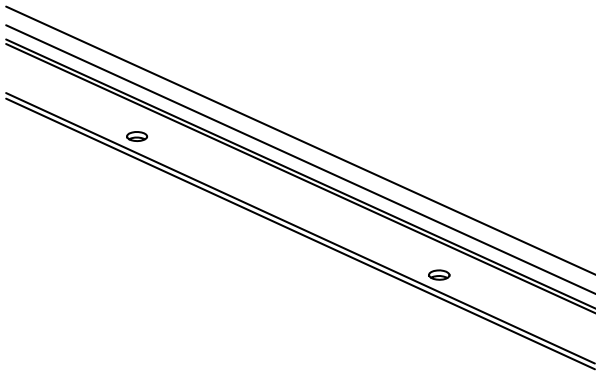
FB001



FW036
PS208

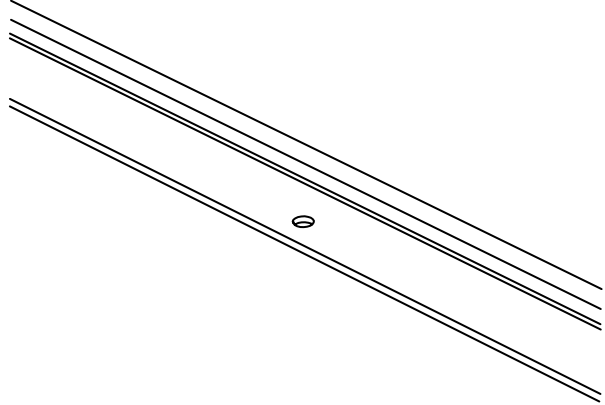
M6 x 55mm

5.



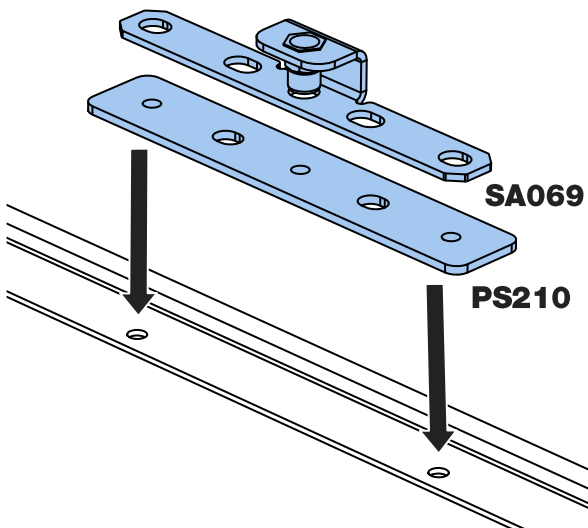
7-13, 17-20.

6.

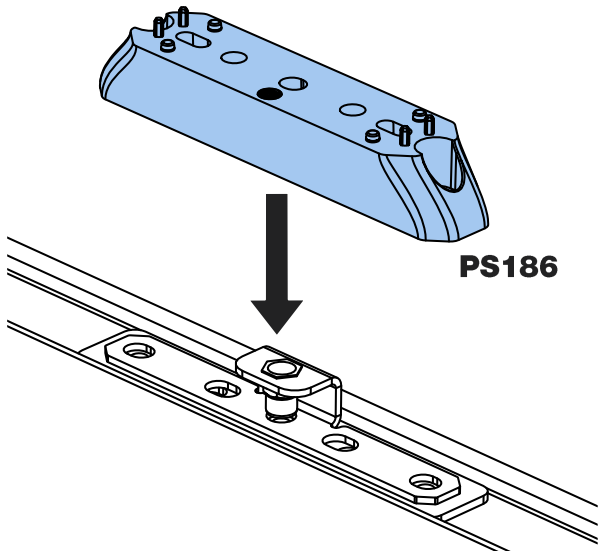


14-20.

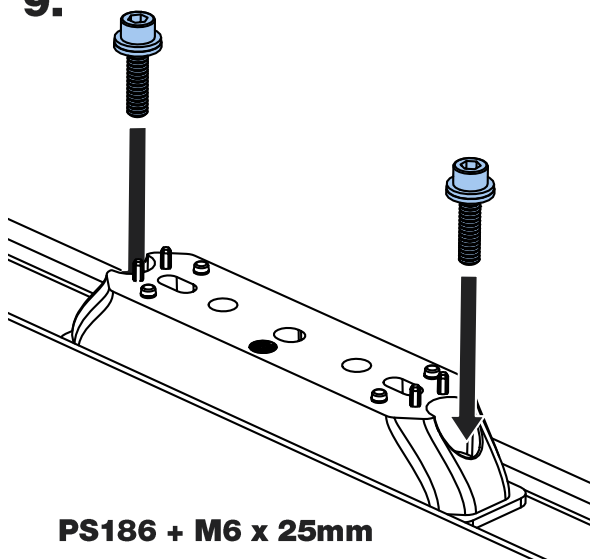
7.



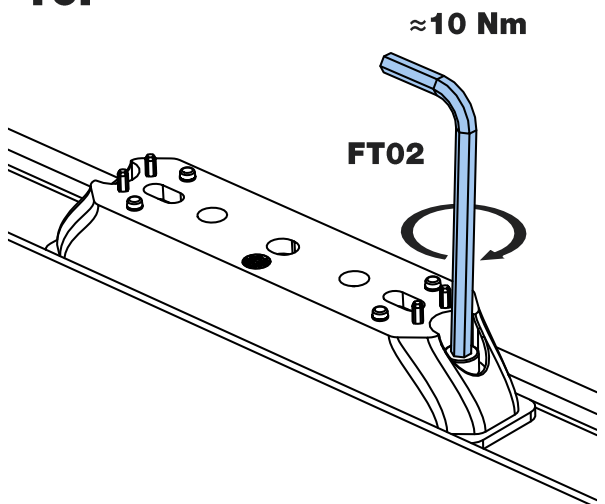
8.



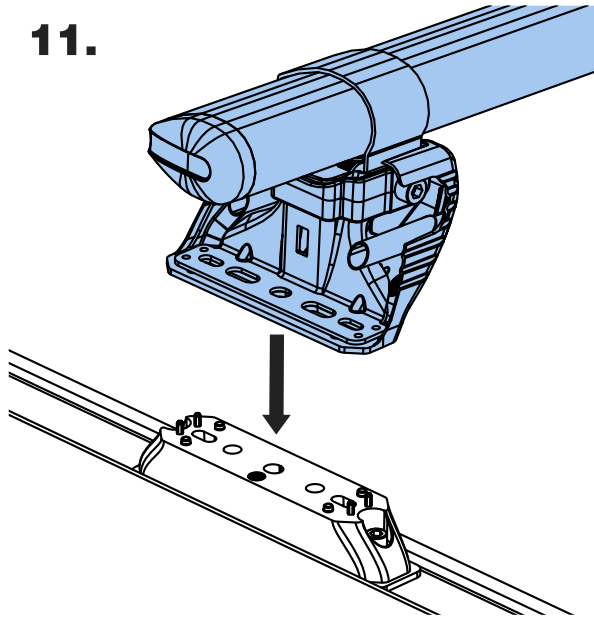
9.



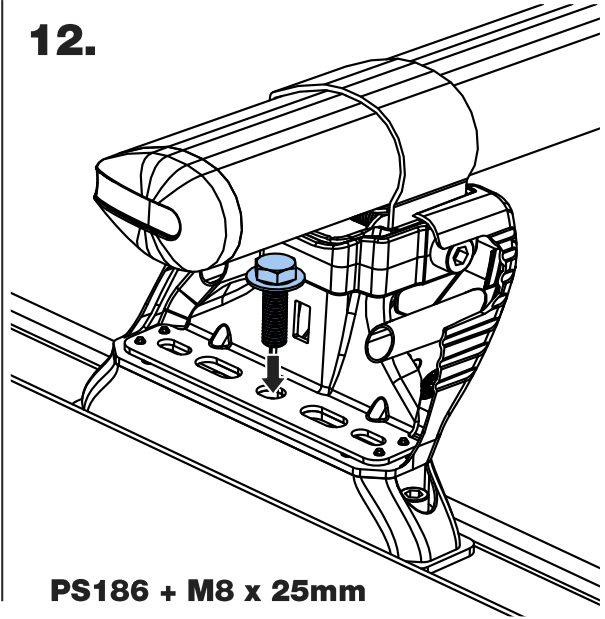
10.



11.

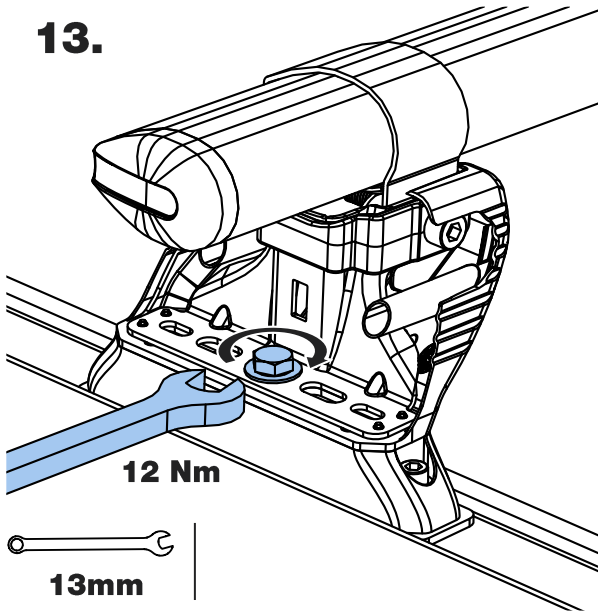


12.



PS186 + M8 x 25mm

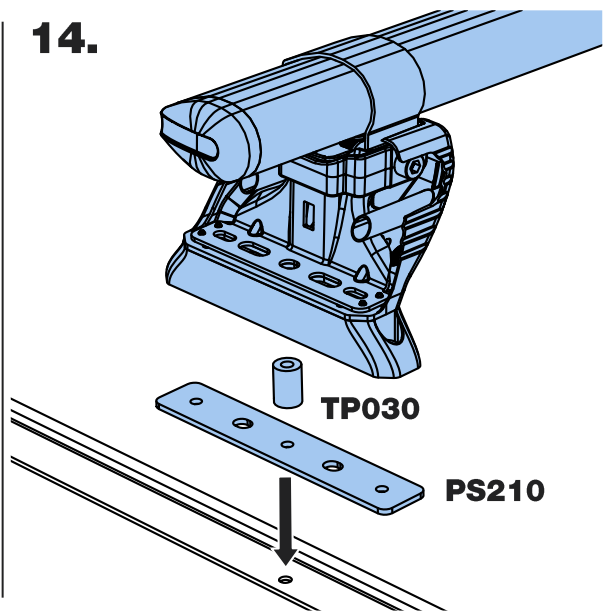
13.



12 Nm

13mm

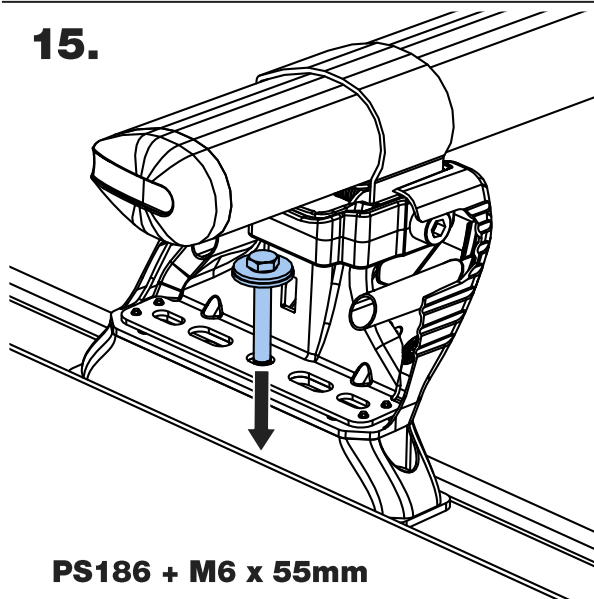
14.



TP030

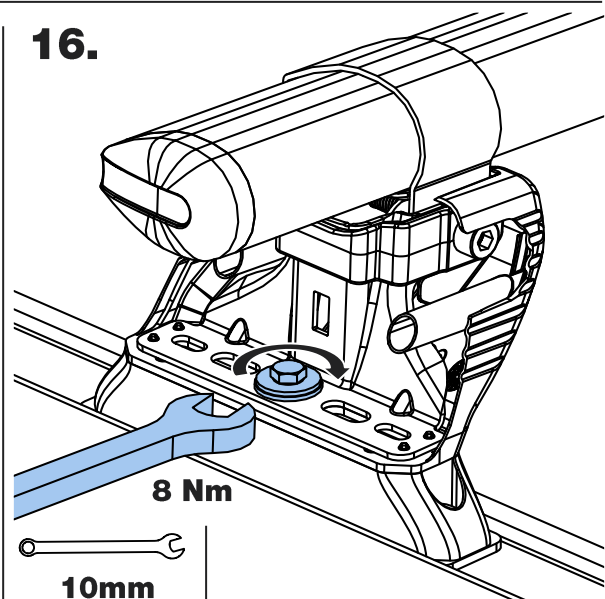
PS210

15.



PS186 + M6 x 55mm

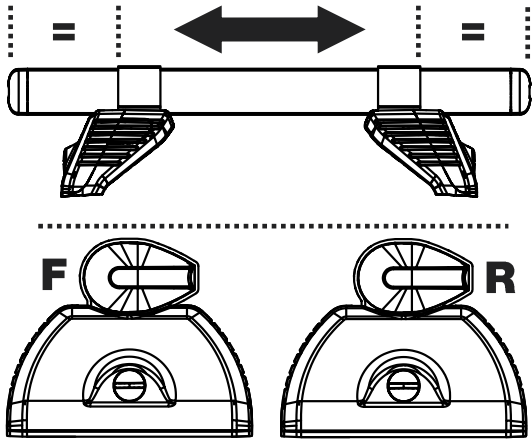
16.



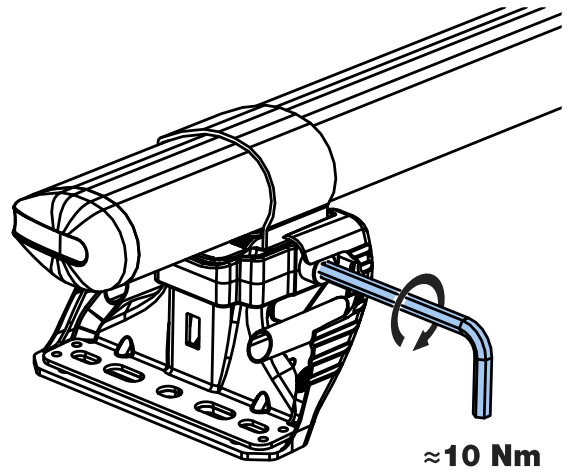
8 Nm

10mm

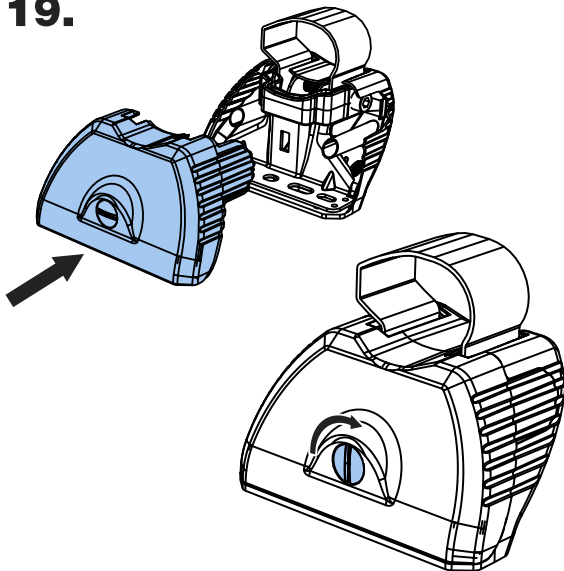
17.



18.



19.



20.

