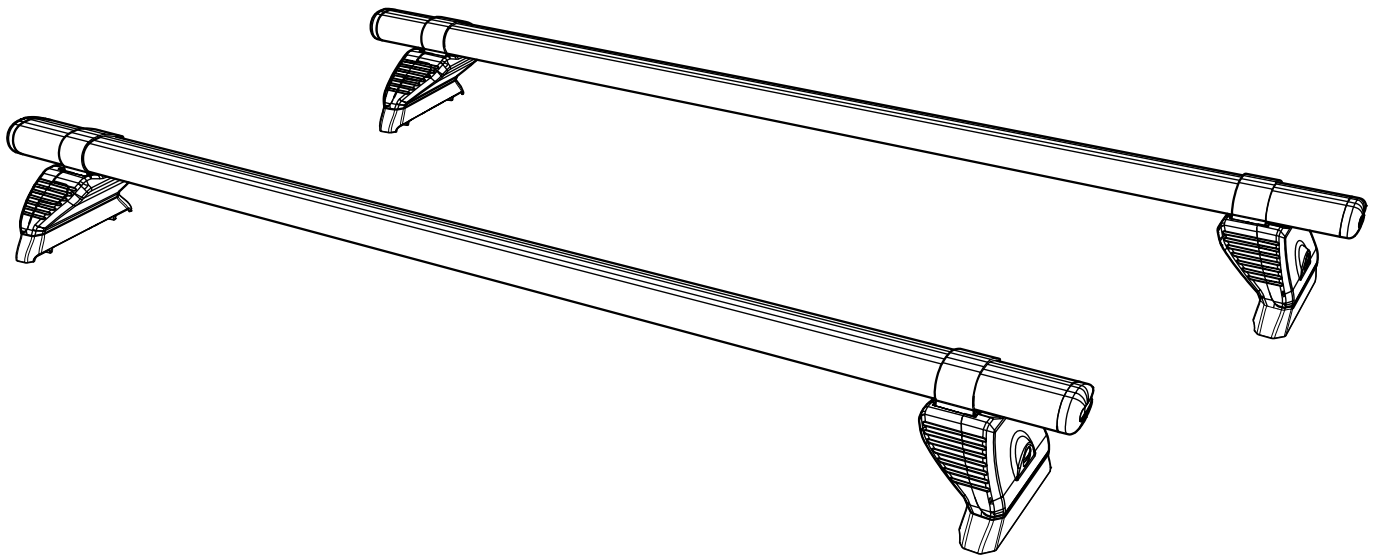


XC2PR/FL

KammBar

Instructions

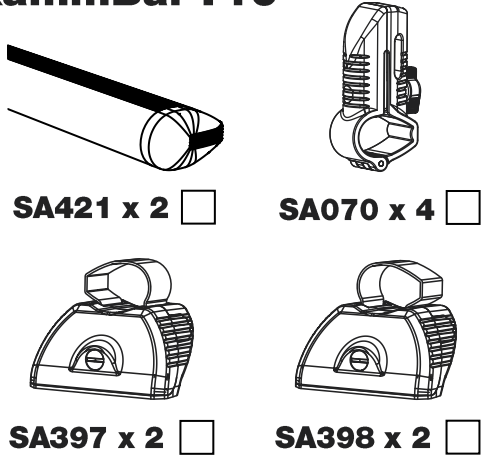


CITY CRASH (✓)

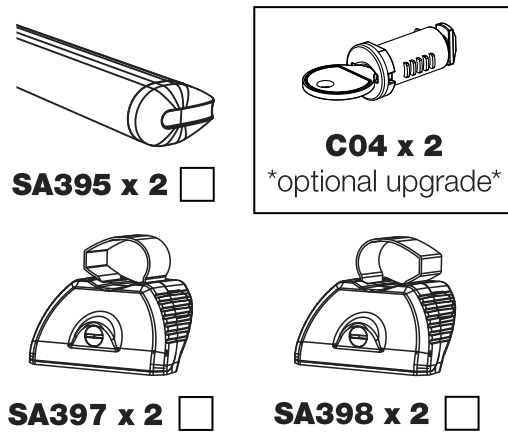
According to ISO/ PAS 11154:2006



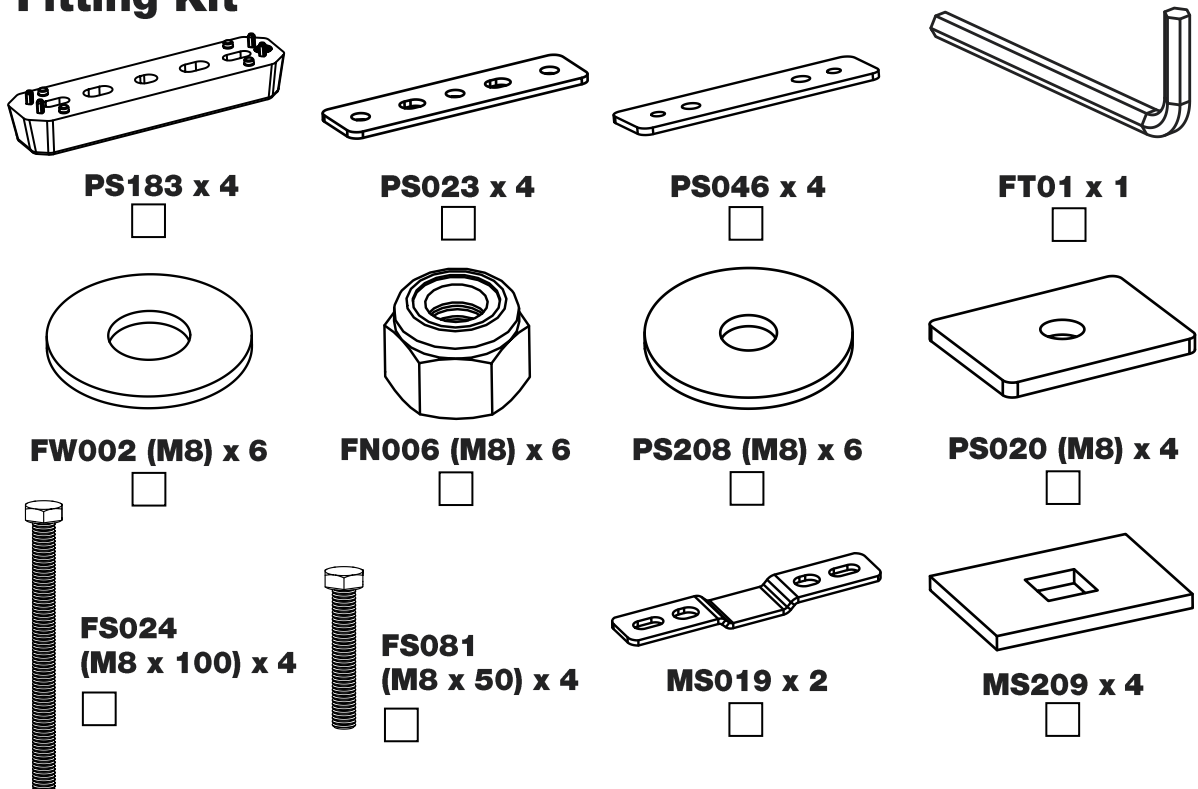
KammBar Pro



KammBar Fleet

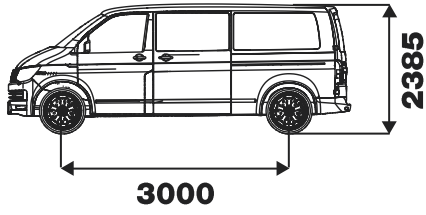


Fitting Kit

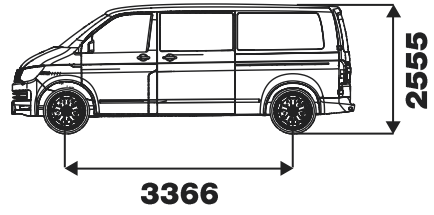




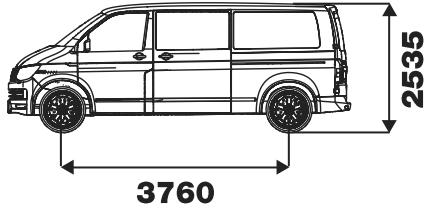
L1/H1 = 1-4, 17-33.



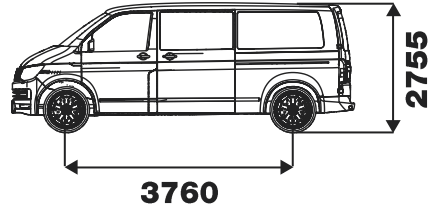
L2/H2 = 5-10, 17-33.



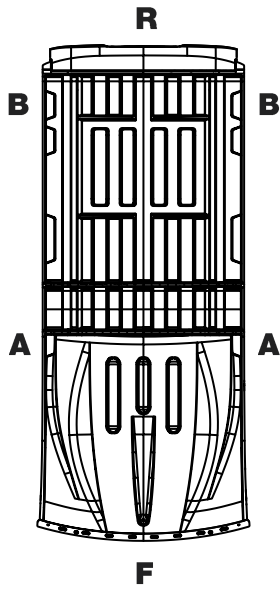
L3/H2 = 11-33.



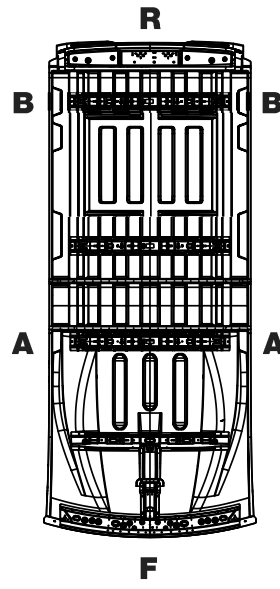
L3/H3 = 11-33.



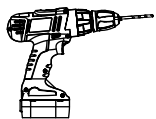
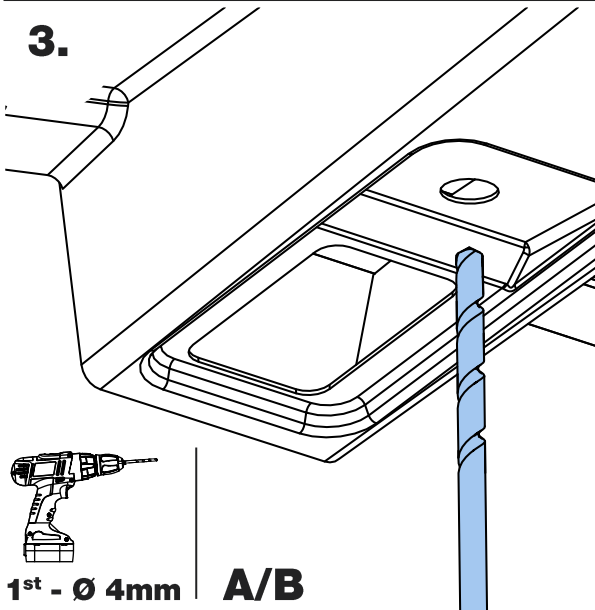
1.



2.

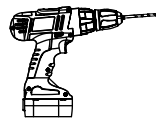
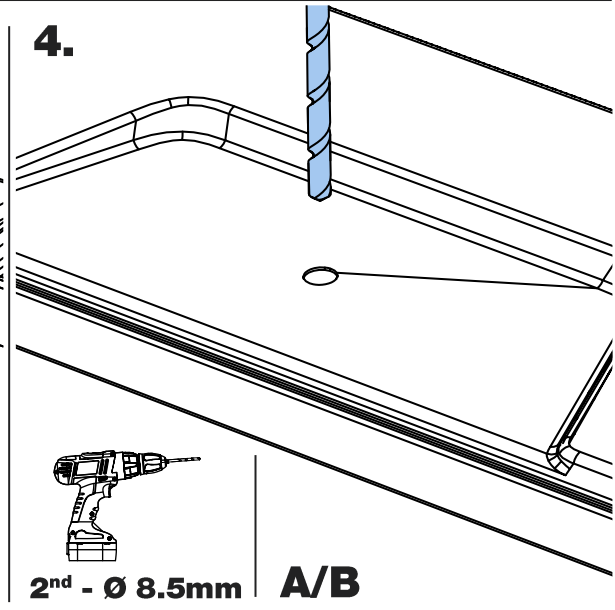


3.

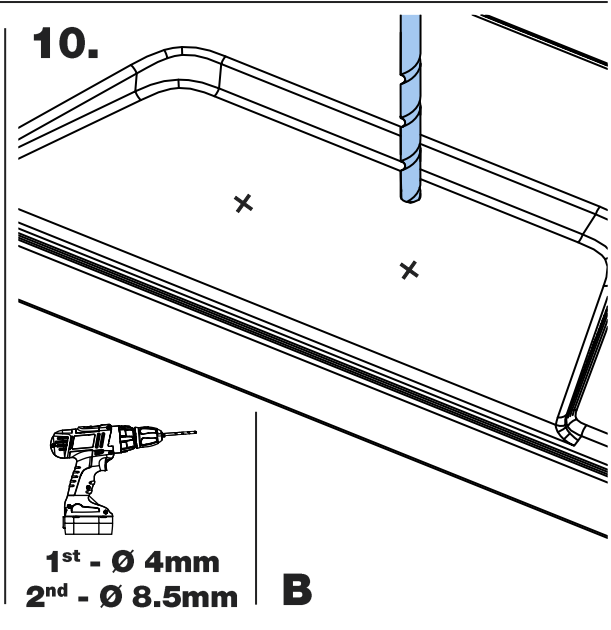
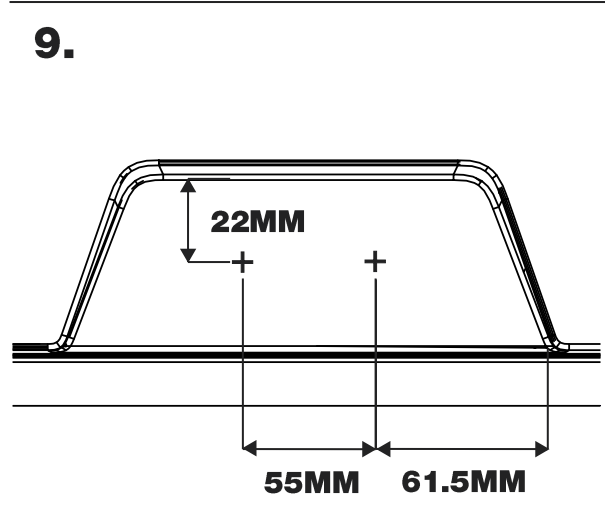
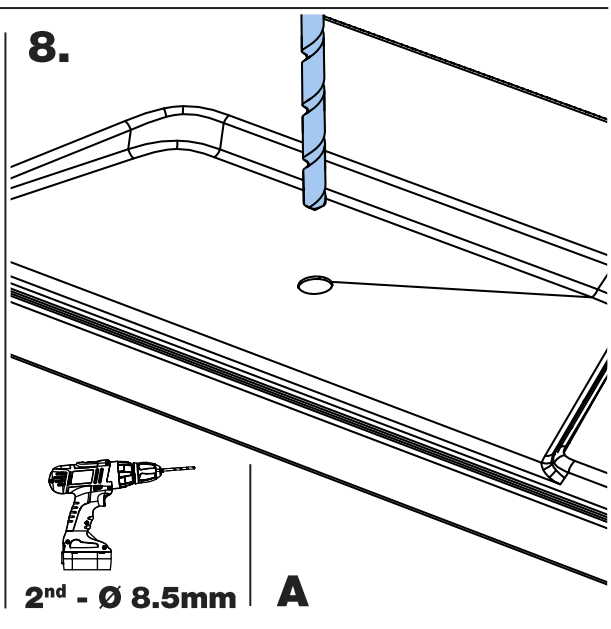
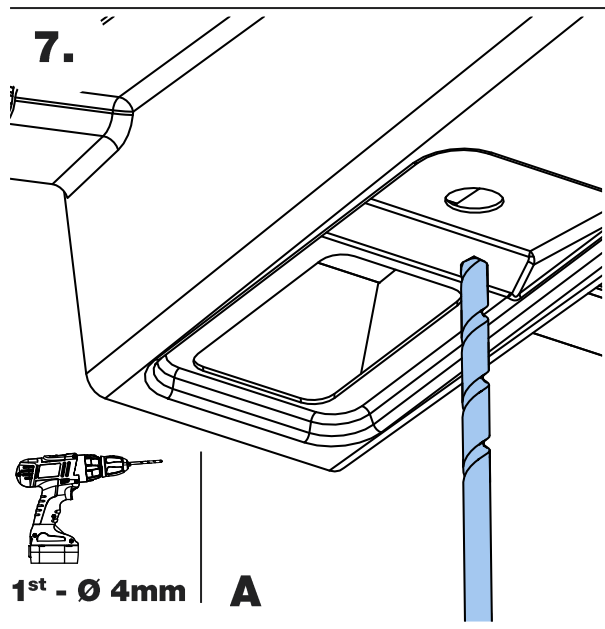
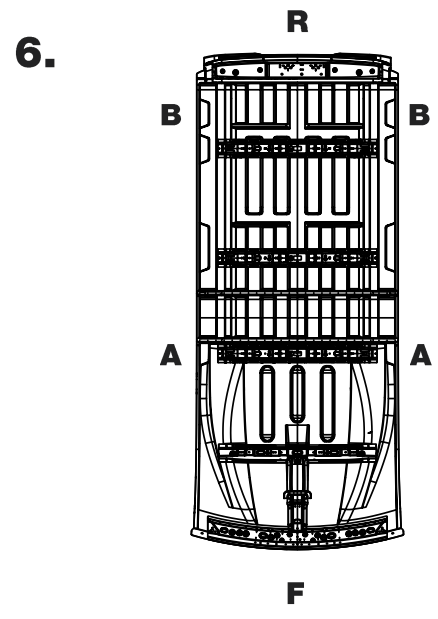
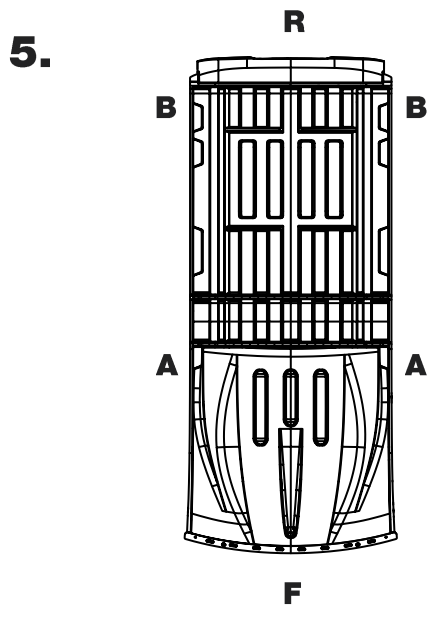


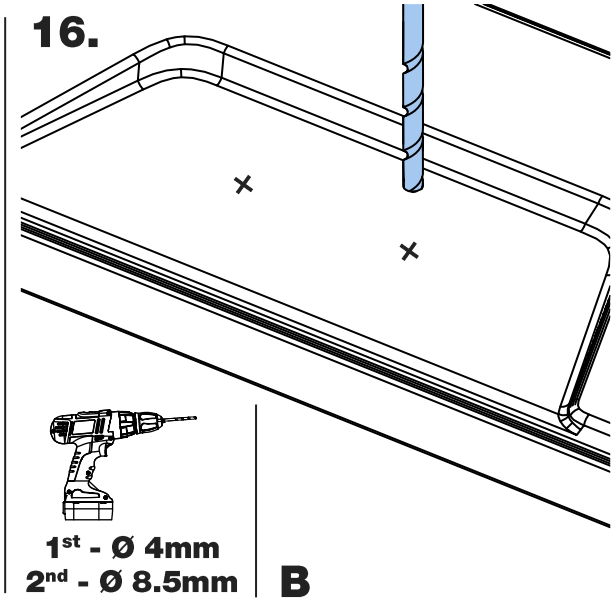
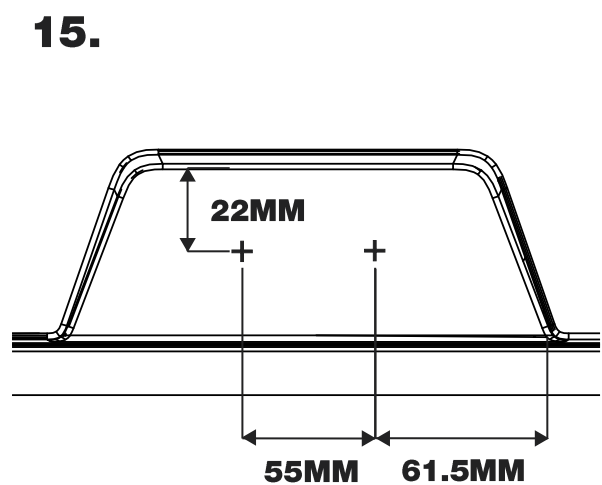
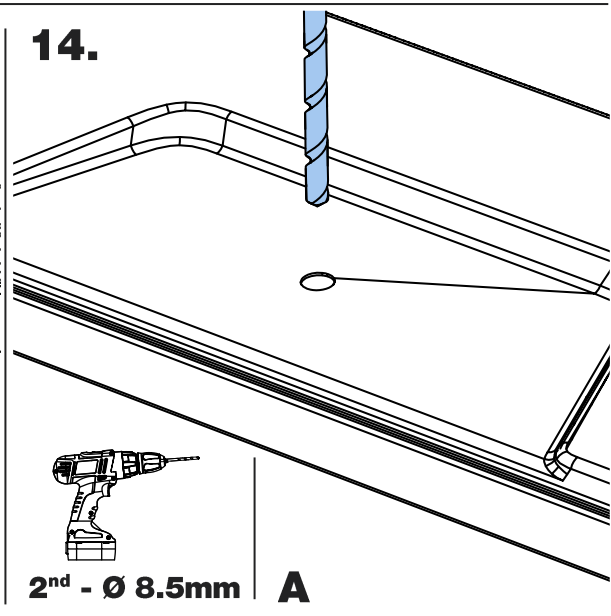
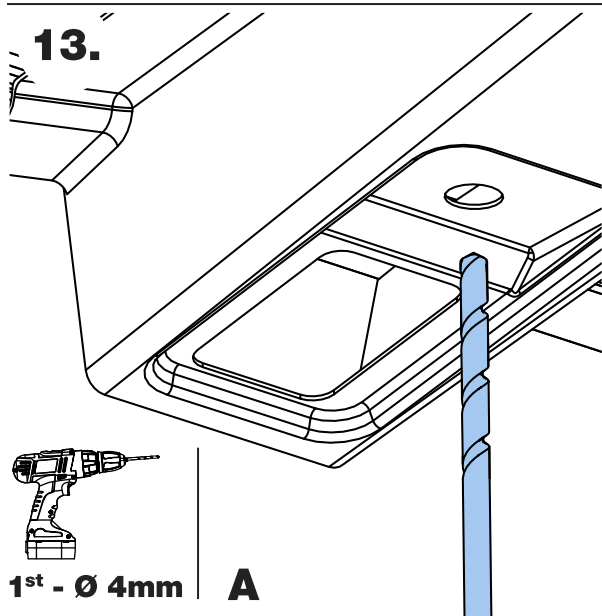
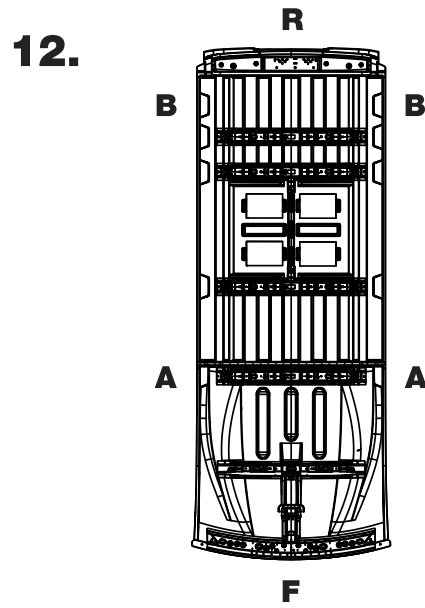
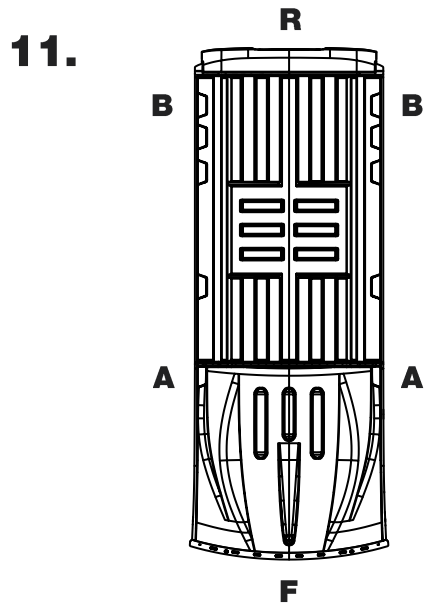
1st - Ø 4mm A/B

4.

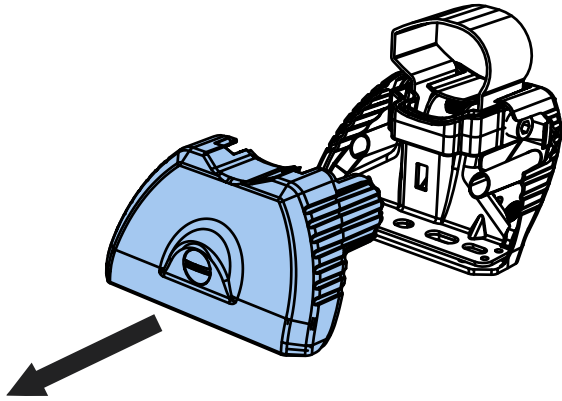


2nd - Ø 8.5mm A/B

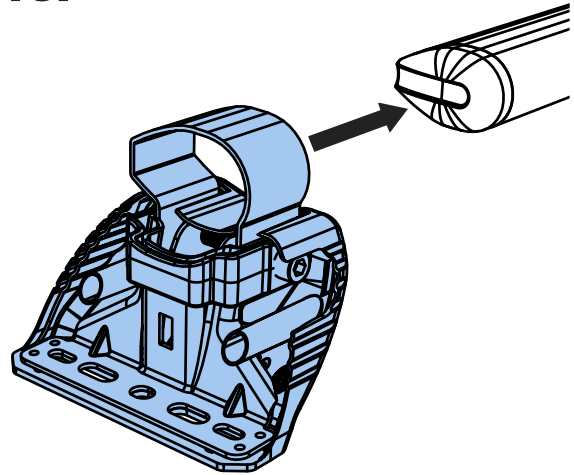




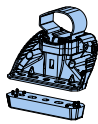
17.



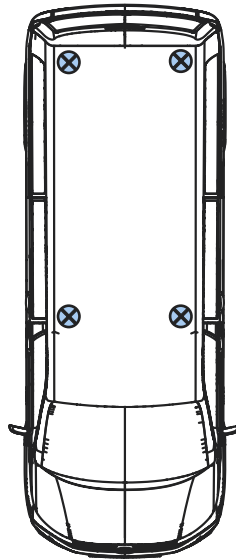
18.



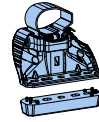
19.



SA397/SA417
PS183

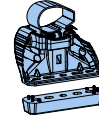


SA398/SA418
PS183



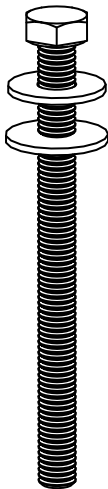
SA397/SA417
PS183

SA398/SA418
PS183



20.

FW002
PS208
FS024



M8 x 100mm



M8 x 50mm

FW002
PS208
FS081

21.

