




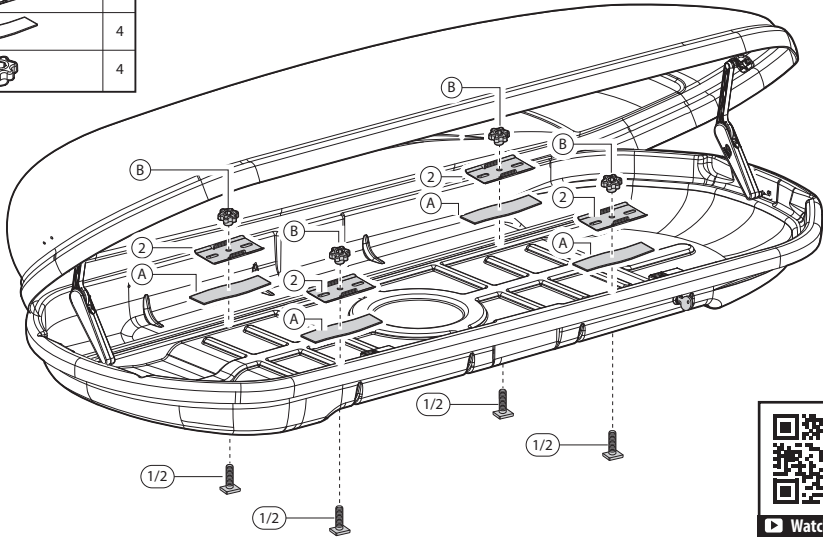
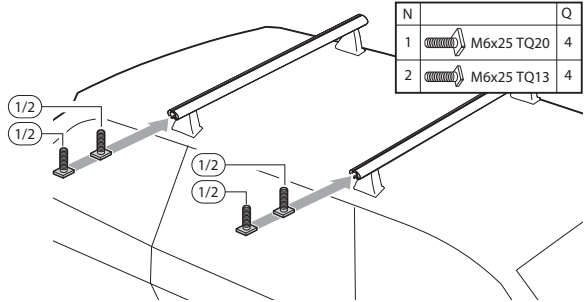
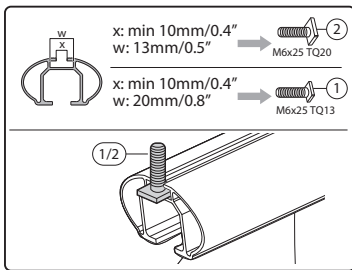


Optional kit 000120100000

N	(IT)Componenti (Inclusi) (EN)Components (Included) (FR)Composants (Compris) (DE)Die Komponenten (im Lieferumfang enthalten) (ES)Componentes (Incluido)	Q
1	 M6x25 TQ20	4
2	 M6x25 TQ13	4
3		4
A		4
B		4

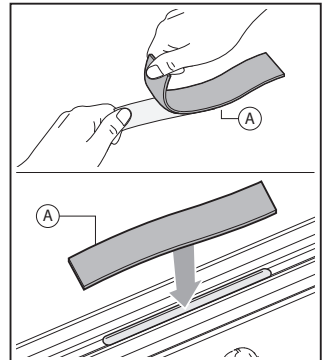
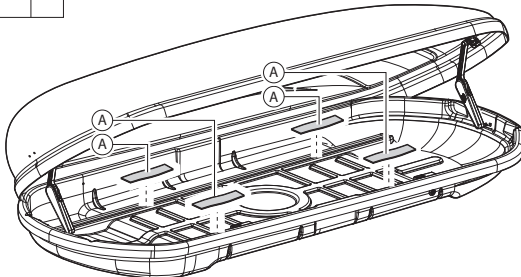


①

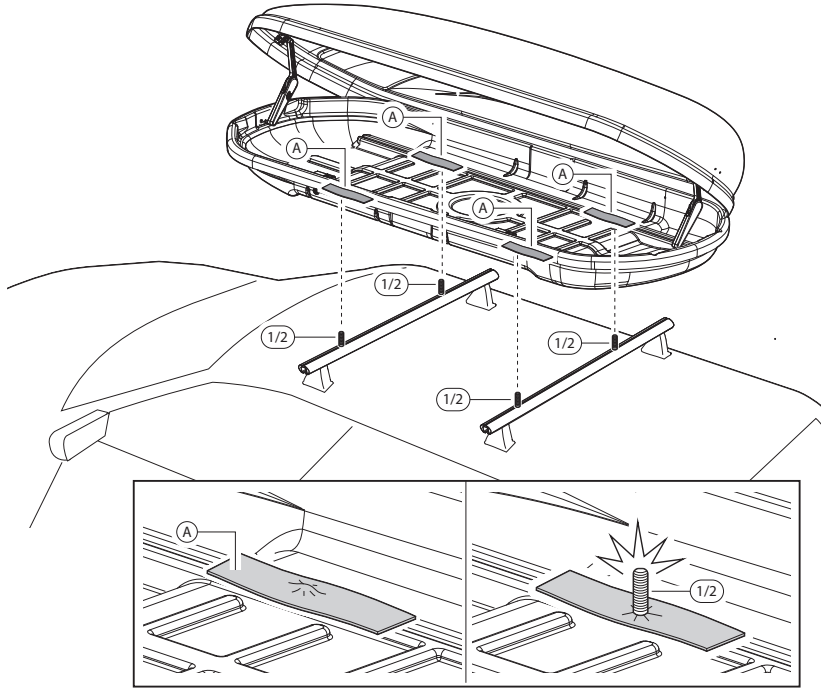


②

N	Q
A	4

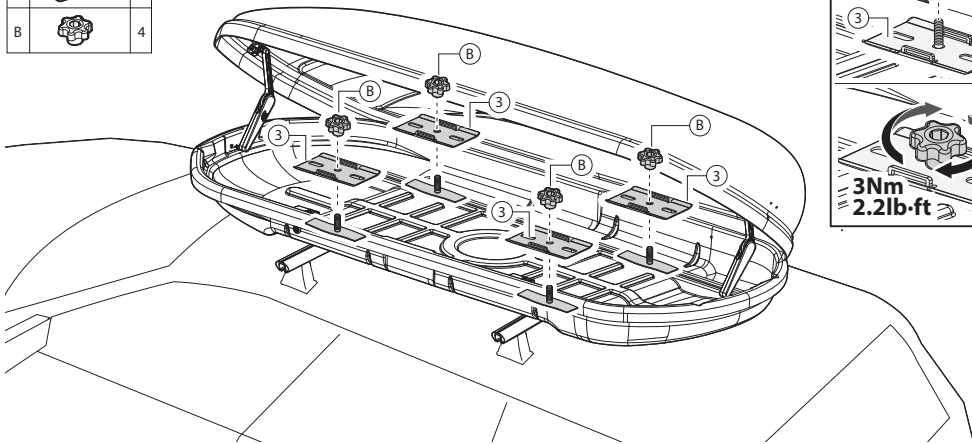


3



4

N	Q
3	4
B	4



Flli Menabò S.r.l.
 Via 8 Marzo, 3
 42025 Cavriago (RE) ITALY
 Tel. +39-0522/942840
 Fax. +39-0522/942948
 e-mail: info@flli-menabo.it
 www.menabocaraccessories.com

Cod.istr	Data	Creto da	Appr.da
500034900000	03/02/2020	NP	EL