

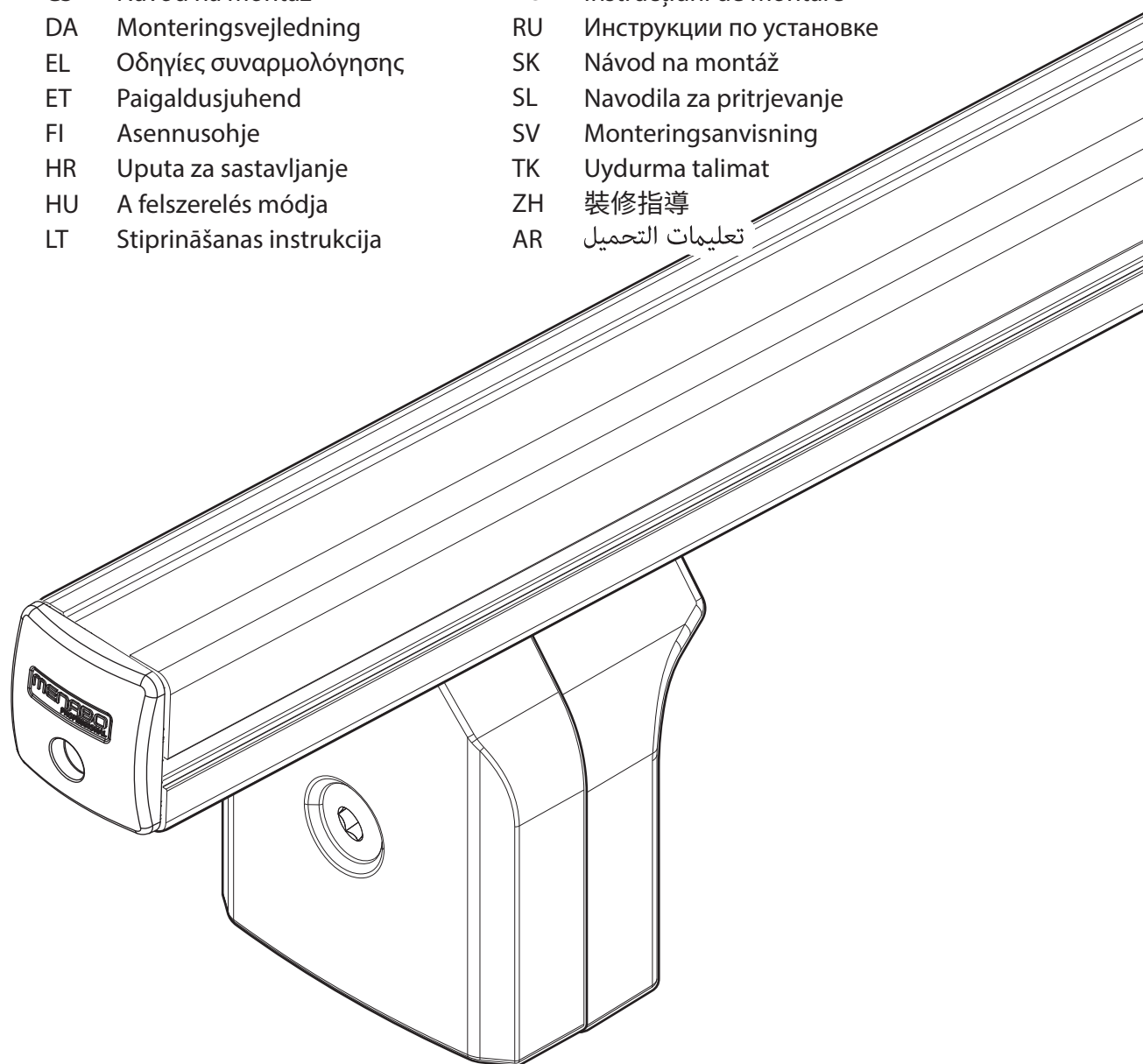
MENABO

free time on the move

FIX 601FP

PROFESSIONAL

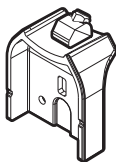
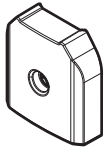
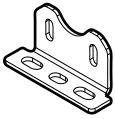
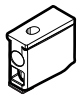
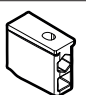

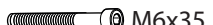




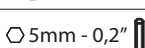

IT	Istruzioni di montaggio	LV	Pritvirtinimo instrukcijas
EN	Fitting instructions	NL	Instrukcja montażu
DE	Montageanleitung	NO	Monteringsveiledning
FR	Instructions de montage	PL	Instrukcja montażu
ES	Instrucciones de montaje	PT	Instruções de Montagem
CS	Návod na montáž	RO	Instrucțiuni de montare
DA	Monteringsvejledning	RU	Инструкции по установке
EL	Οδηγίες συναρμολόγησης	SK	Návod na montáž
ET	Paigaldusjuhend	SL	Navodila za pritrdjevanje
FI	Asennusohje	SV	Monteringsanvisning
HR	Uputa za sastavljanje	TK	Uydurma talimat
HU	A felszerelés módja	ZH	裝修指導
LT	Stiprināšanas instrukcija	AR	تعليمات التجميع

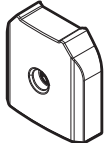









▶ Watch video

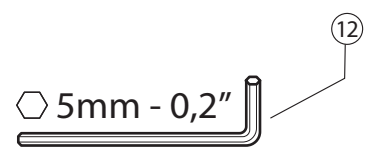
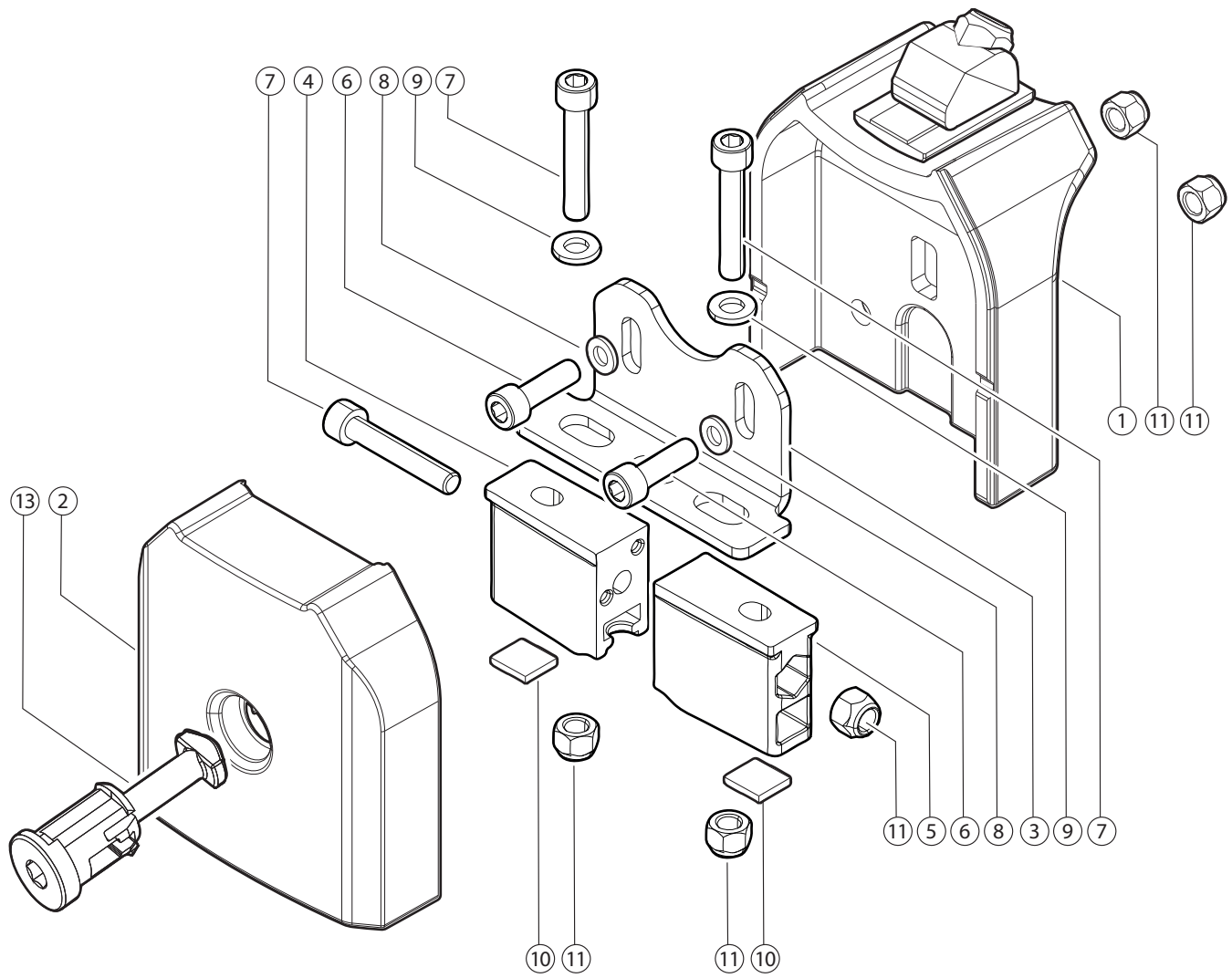
Made in Italy



FIXING KIT		
N.	[IT]Componenti (Inclusi) [EN]Components (Included) [FR]Composants (Comprises) [DE]Die Komponenten (im Lieferumfang enthalten) [ES]Componentes (Incluido)	Q.
1		2
2		2
3		2
4		2
5		2
6	 M6x16	4
7	 M6x35	6
8	 ø6x18	4
9	 ø6x12	4
10		4
11	 M6	10
12	 5mm - 0,2"	1
13		2

FIXING KIT			
N.	[IT]Ricambi (A Richiesta) [EN]Spare Parts (Made to order) [FR]Pièces de rechange (Sur commande) [DE]E Teile (auf Anfrage) [ES]Piezas de recambio (Previa solicitud)	Q.	Codice - Code - Código
2		1	700034200000
6	 M6x16	6	700034300000
7	 M6x35	4	
8	 ø6x18	10	
11	 M6	4	
12	 5mm - 0,2"	1	700025000000
13		4	700025300000

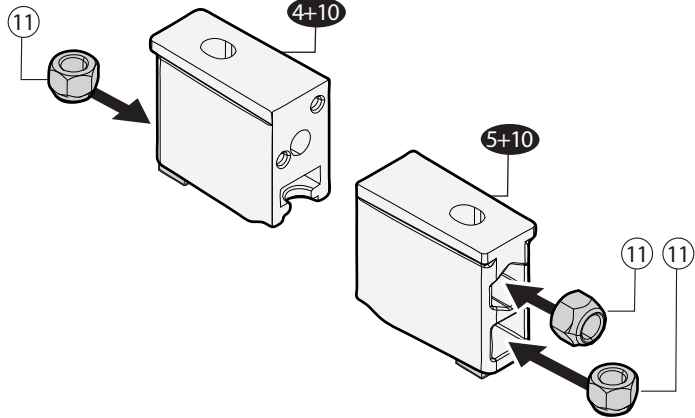
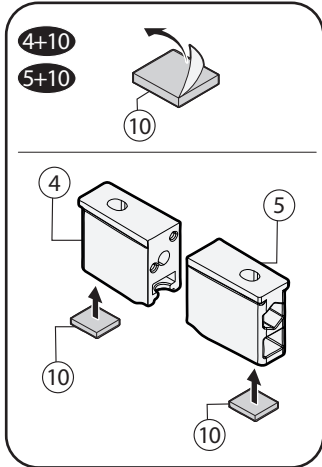
OPTIONAL KIT		
N.	Art.000084800000	Q.
14		4
15	XXXX 	4



x2

1

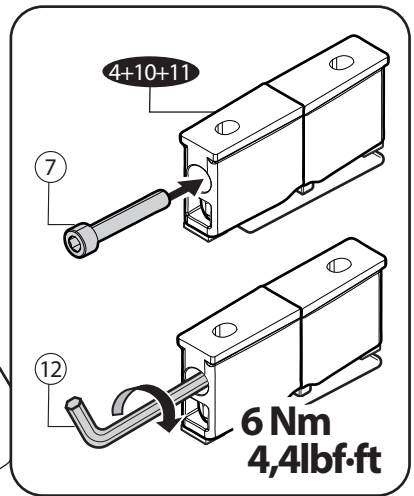
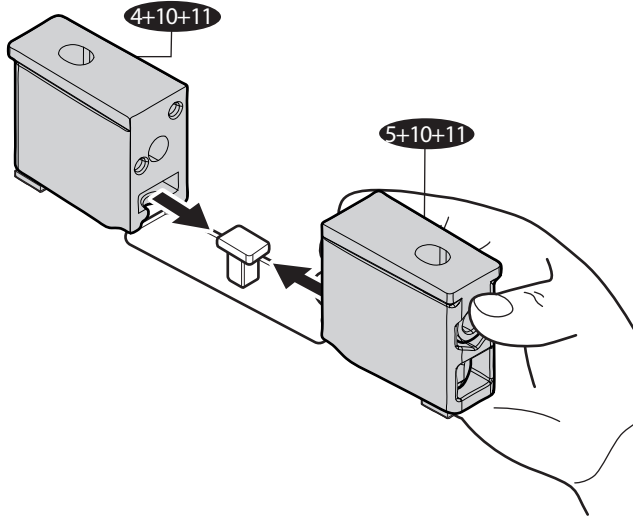
N.		Q.
4		1
5		1
10		2
11		3



x2

2

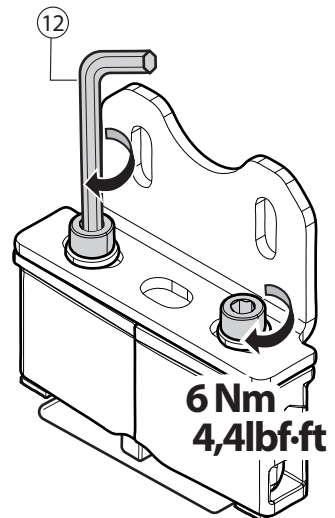
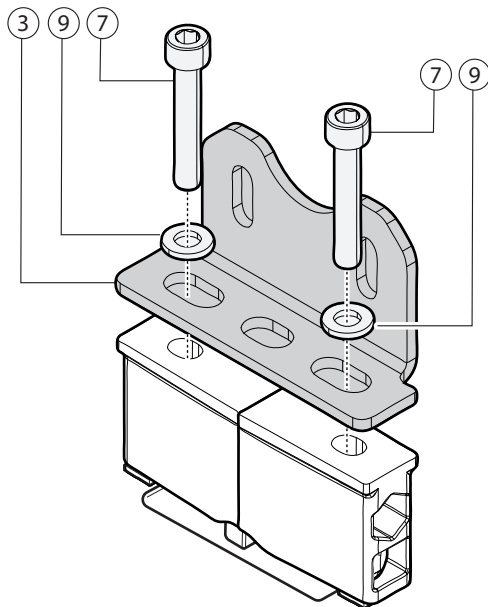
N.		Q.
7		1
12		1



x2



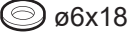

3

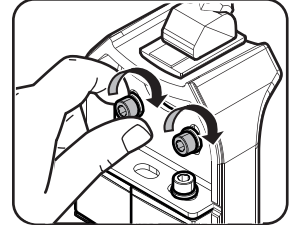
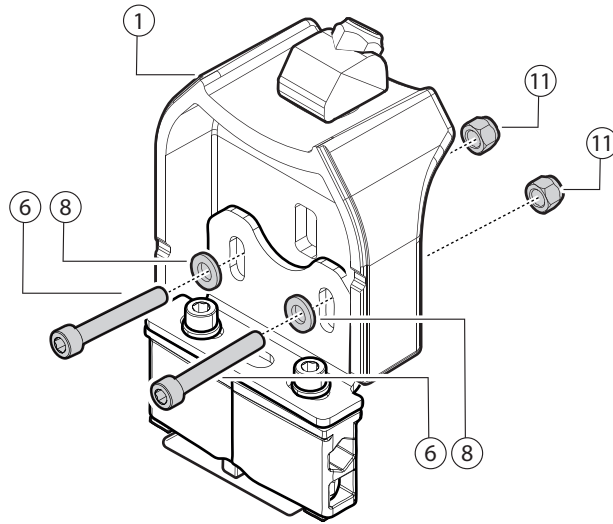
N.		Q.
3		1
7		2
9		2



4

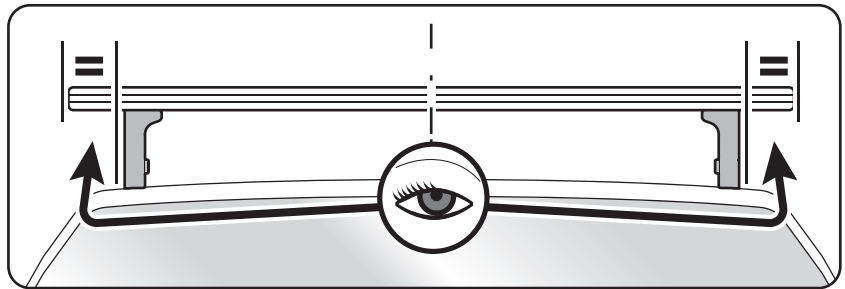
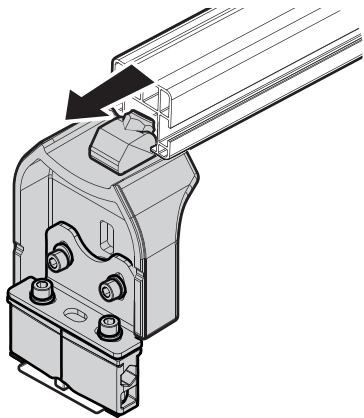
x2

N.		Q.
1		1
6	 M6x16	2
8	 ø6x18	2
11	 M6	2



x2

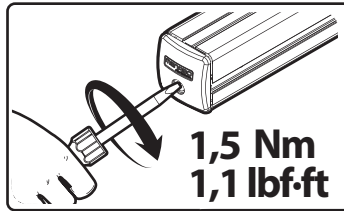
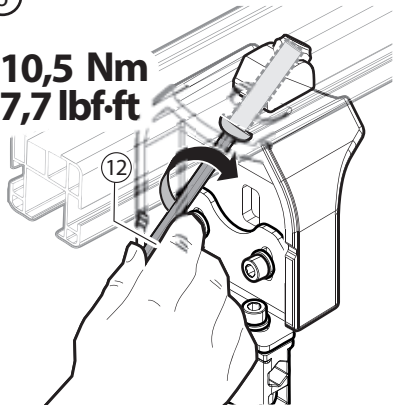
5



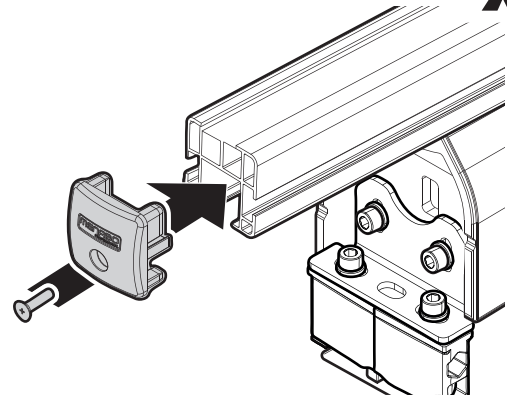
6

x2

10,5 Nm
7,7 lbf-ft

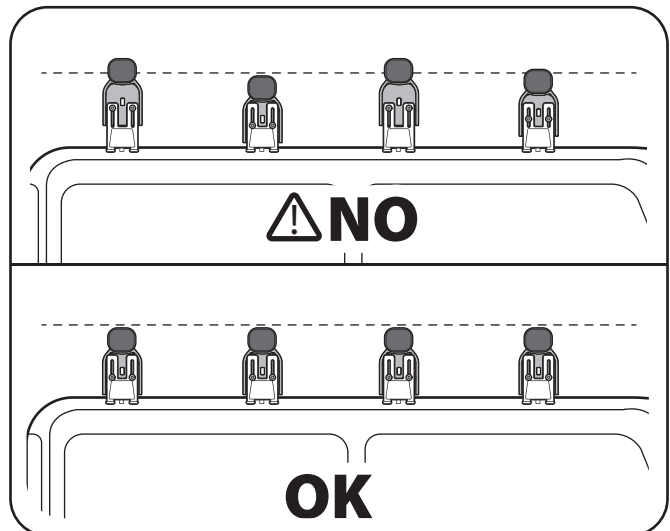
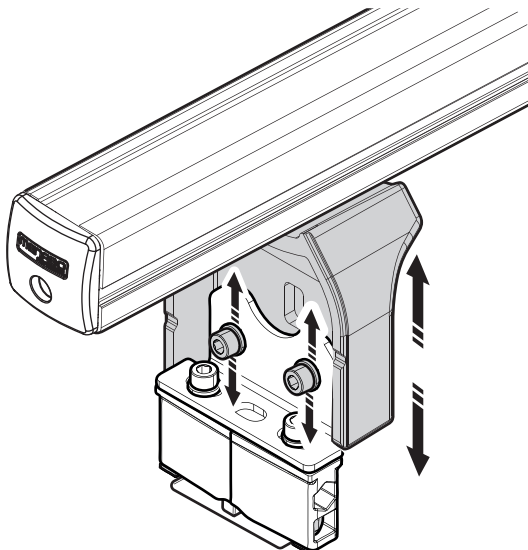


1,5 Nm
1,1 lbf-ft



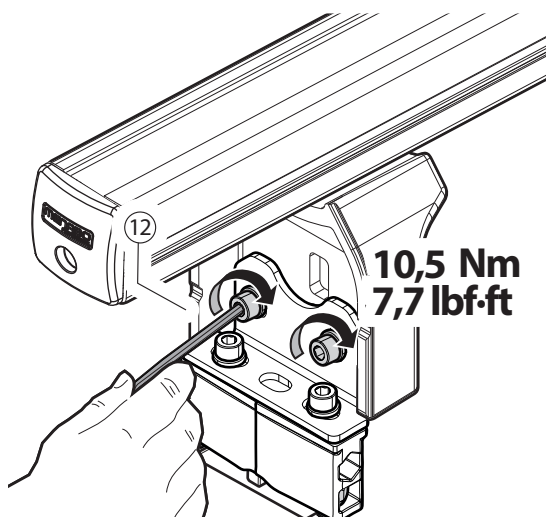
7

x2



8

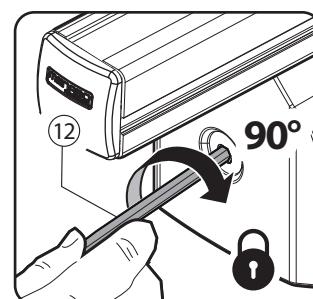
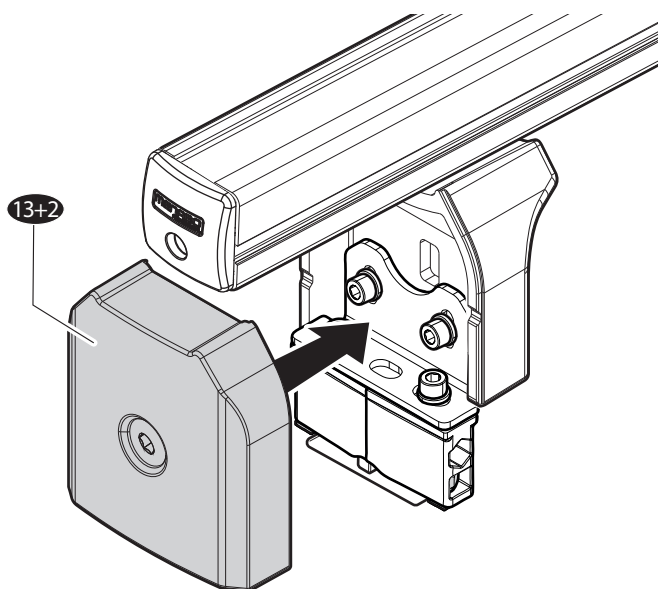
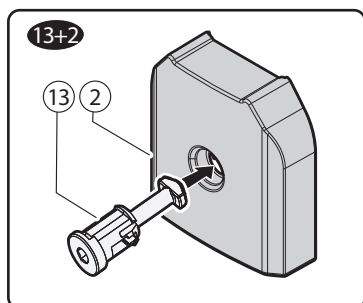
x2



9

x2

N.	Q.
2	2
13	2

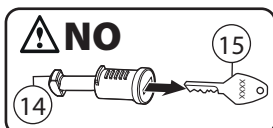
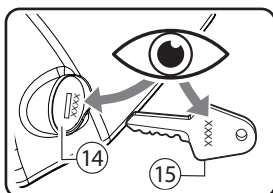
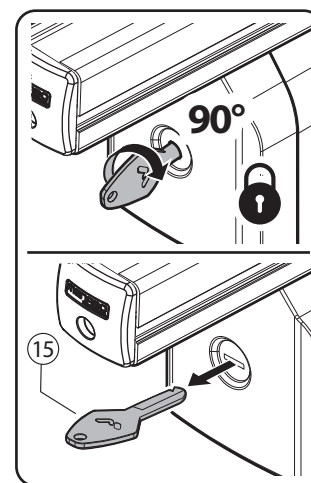
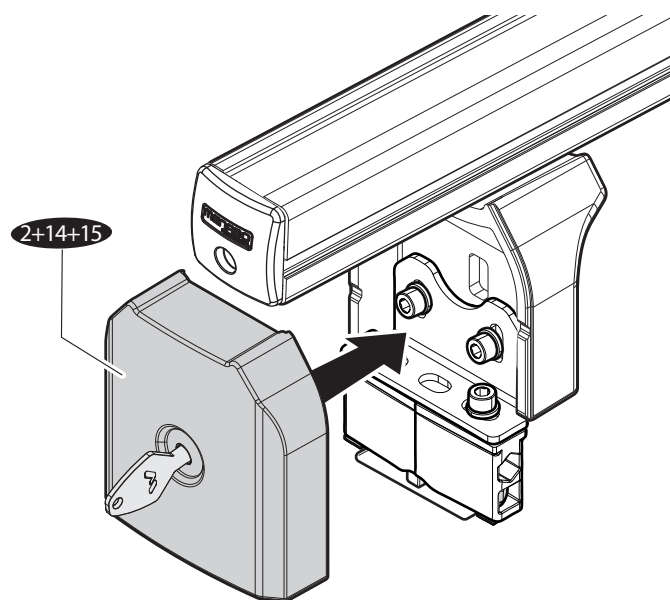
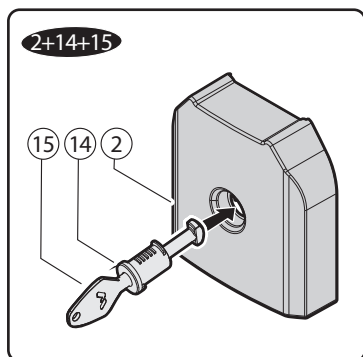


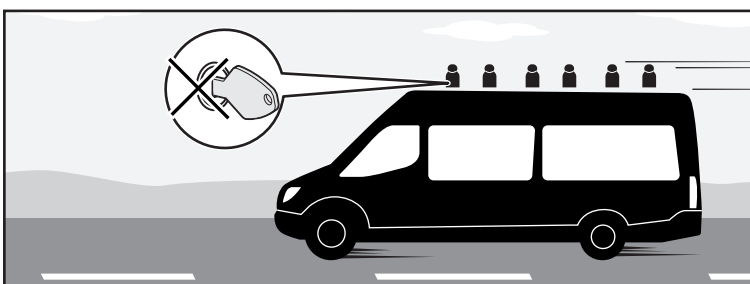
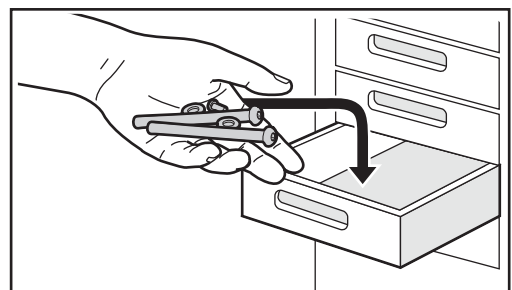
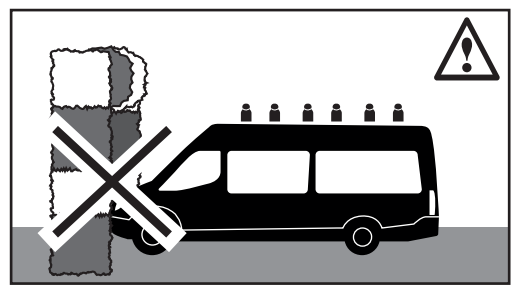
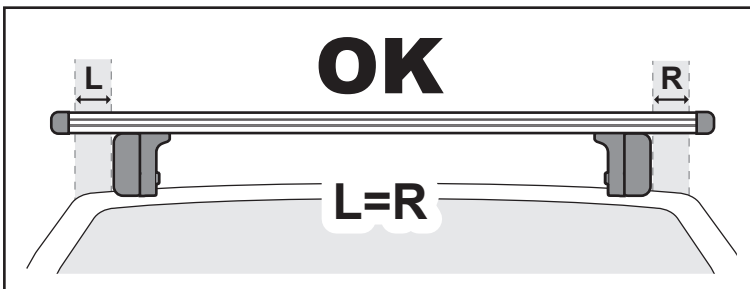
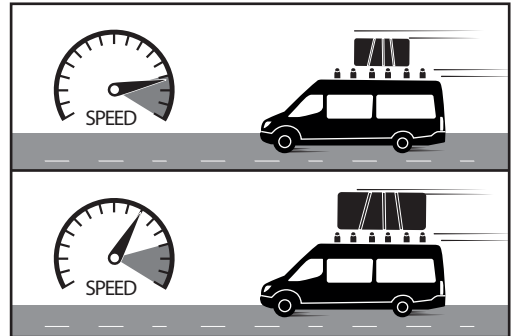
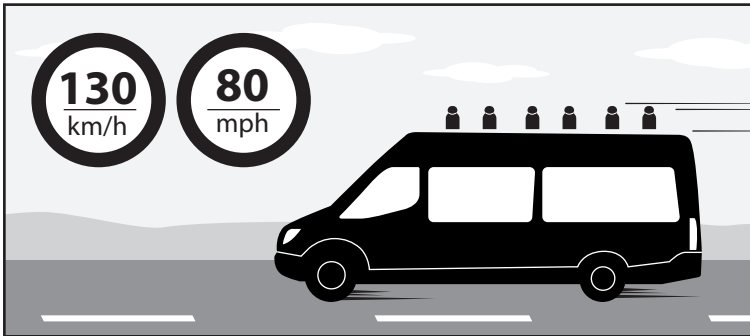
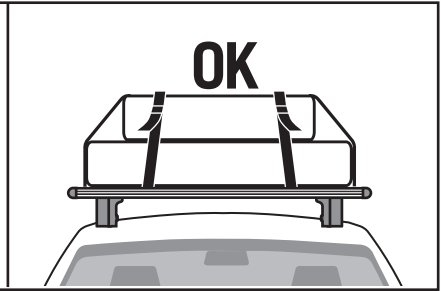
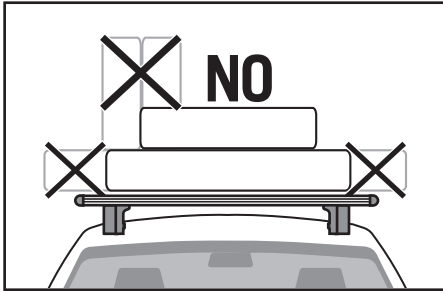
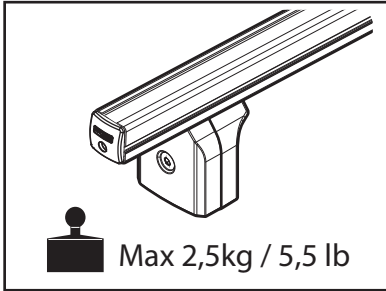
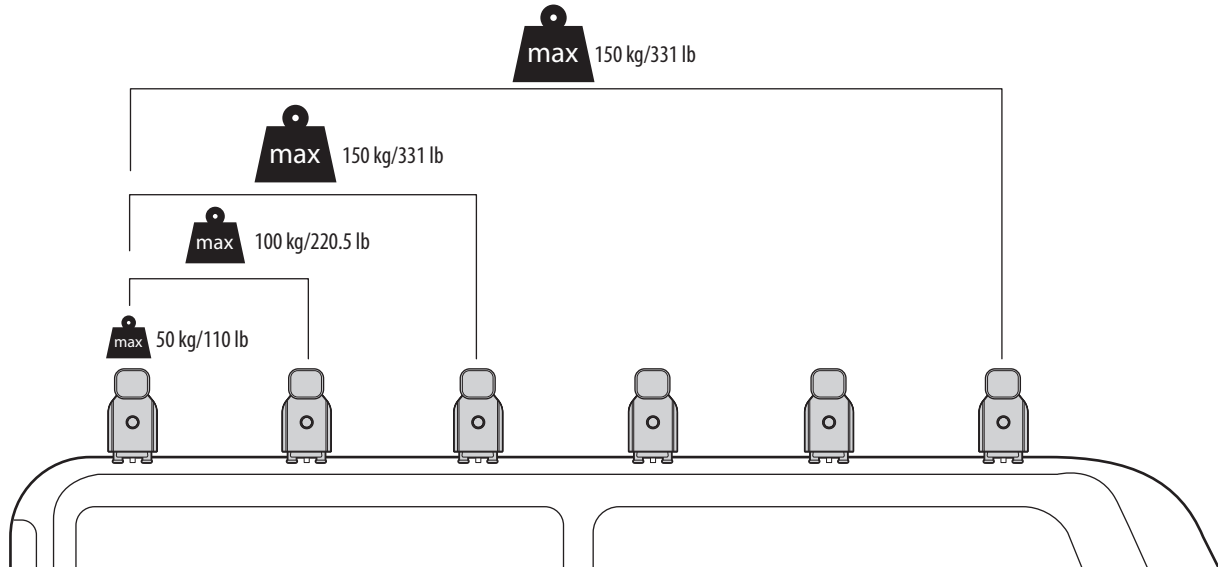
9b

OPTIONAL KIT

Art.000084800000

x2





F.lli Menabò S.r.l.
Via 8 Marzo, 3 -Z.I. Corte Tegge
42025 Cavriago (RE) ITALY
Tel. +39-0522/942840
Fax. +39-0522/942948
e-mail: info@flli-menabo.it
www.menabocaraccessories.com

Cod.Istr.	500028300001
Data	25/06/2020

Product registration EU:

IT) eu.menabocaraccessories.com/ita/product-support-ita
EN) eu.menabocaraccessories.com/eng/product-support-eng
DE) eu.menabocaraccessories.com/deu/product-support-deu
FR) eu.menabocaraccessories.com/fra/product-support-fra
ES) eu.menabocaraccessories.com/esp/product-support-esp

Product registration US/CA:

EN) us.menabocaraccessories.com/en/product-support
FR) us.menabocaraccessories.com/fr/support-produit
ES) us.menabocaraccessories.com/es/soporte-de-producto

www.menabocaraccessories.com

Name

Surname

Email

Telephone

Serial number

Product name

Sign in